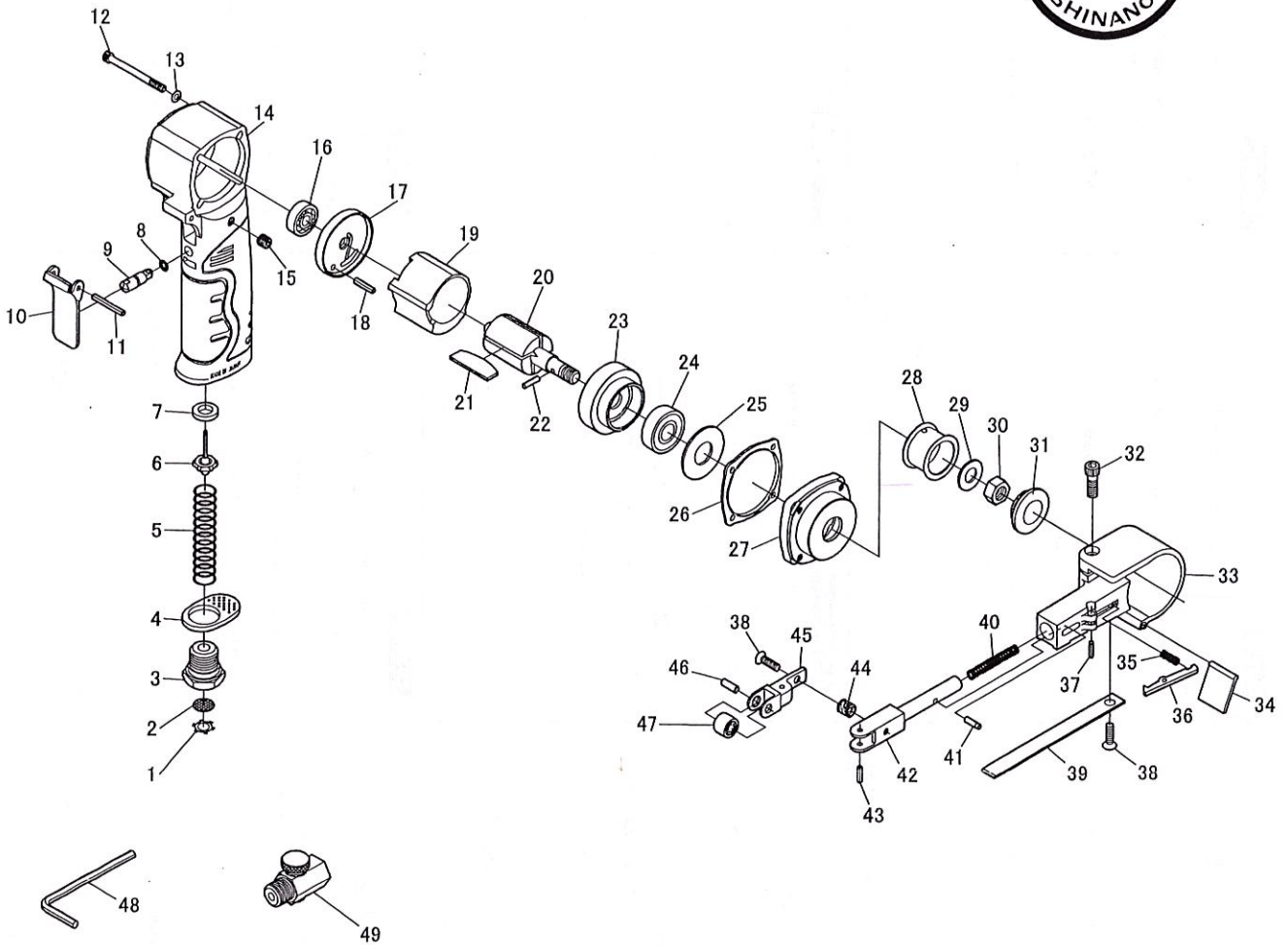


# SI-2740

## Belt Sander



| Ref. No. | Parts No.  | Description       | Q'ty | Ref. No. | Parts No.  | Description                             | Q'ty |
|----------|------------|-------------------|------|----------|------------|---|------|
| 1        | CRTW-12    | Retainer          | 1    | 26       | 529-3      | Gasket                                  | 1    |
| 2        | 680-28A    | Screen            | 1    | 27       | 529-2      | Motor Nut                               | 1    |
| 3        | 509-2      | Inlet Bushing     | 1    | 28       | 509-22     | Drive Pulley                            | 1    |
| 4        | 509-3      | Deflector         | 1    | 29       | PW-80      | Washer                                  | 1    |
| 5        | 139-15     | Valve Spring      | 1    | 30       | N2-M80     | Nut                                     | 1    |
| 6        | 529-35     | Valve             | 1    | 31       | 509-43     | Pulley Cap                              | 1    |
| 7        | 139-9      | Valve Seat        | 1    | 32       | Z-1024-150 | Cap Screw                               | 1    |
| 8        | 216-6      | O-Ring            | 1    | 33       | 509-26B    | Wheel Cover incl. Insert Spacer(509-32) | 1    |
| 9        | 529-17     | Valve Shaft       | 1    | 34       | 509-28     | Apron                                   | 1    |
| 10       | 509-4B     | Throttle Lever    | 1    | 35       | 482-46     | Valve Spring                            | 1    |
| 11       | 30-24      | Roll Pin(3ø-24mm) | 1    | 36       | 509-42     | Stopper                                 | 1    |
| 12       | Z-632-420  | Cap Screw         | 4    | 37       | 25-10      | Roll Pin(2.5ø-10mm)                     | 1    |
| 13       | PW-35      | Washer            | 4    | 38       | E-M40--120 | Screw                                   | 1    |
| 14       | 529-1SI    | Motor Housing     | 1    | 39       | 509-40     | Shoe                                    | 1    |
| 15       | ROM60---60 | Set Screw         | 1    | 40       | 509-31     | Tension Spring                          | 1    |
| 16       | 626        | Ball Bearing      | 1    | 41       | 509-30     | Stopper Pin                             | 1    |
| 17       | 529-5      | Rear Plate        | 1    | 42       | 509-29     | Tension Arm                             | 1    |
| 18       | 30-15      | Roll Pin(3ø-15mm) | 1    | 43       | 30-11      | Roll Pin(3ø-11mm)                       | 1    |
| 19       | 529-6      | Cylinder          | 1    | 44       | 509-39     | Adjust Spring                           | 1    |
| 20       | 509-16     | Rotor             | 1    | 45       | 509-35     | Adjust Arm                              | 1    |
| 21       | 509-17     | Rotor Blade       | 4    | 46       | 509-36     | Pulley Pin                              | 1    |
| 22       | 520-17     | Pin               | 1    | 47       | 509-33A    | Idle Pulley incl. Ball Bearing(L-940ZZ) | 1    |
| 23       | 529-4      | Front Plate       | 1    | 48       | WRA-4      | 4mm Allen Wrench                        | 1    |
| 24       | 6000ZZ     | Ball Bearing      | 1    | 49       | 181-45     | Air Regulator                           | 1    |
| 25       | 509-44     | Washer            | 1    | * 50     | 509-45B    | 10mm Sanding Belt #60                   | 6    |