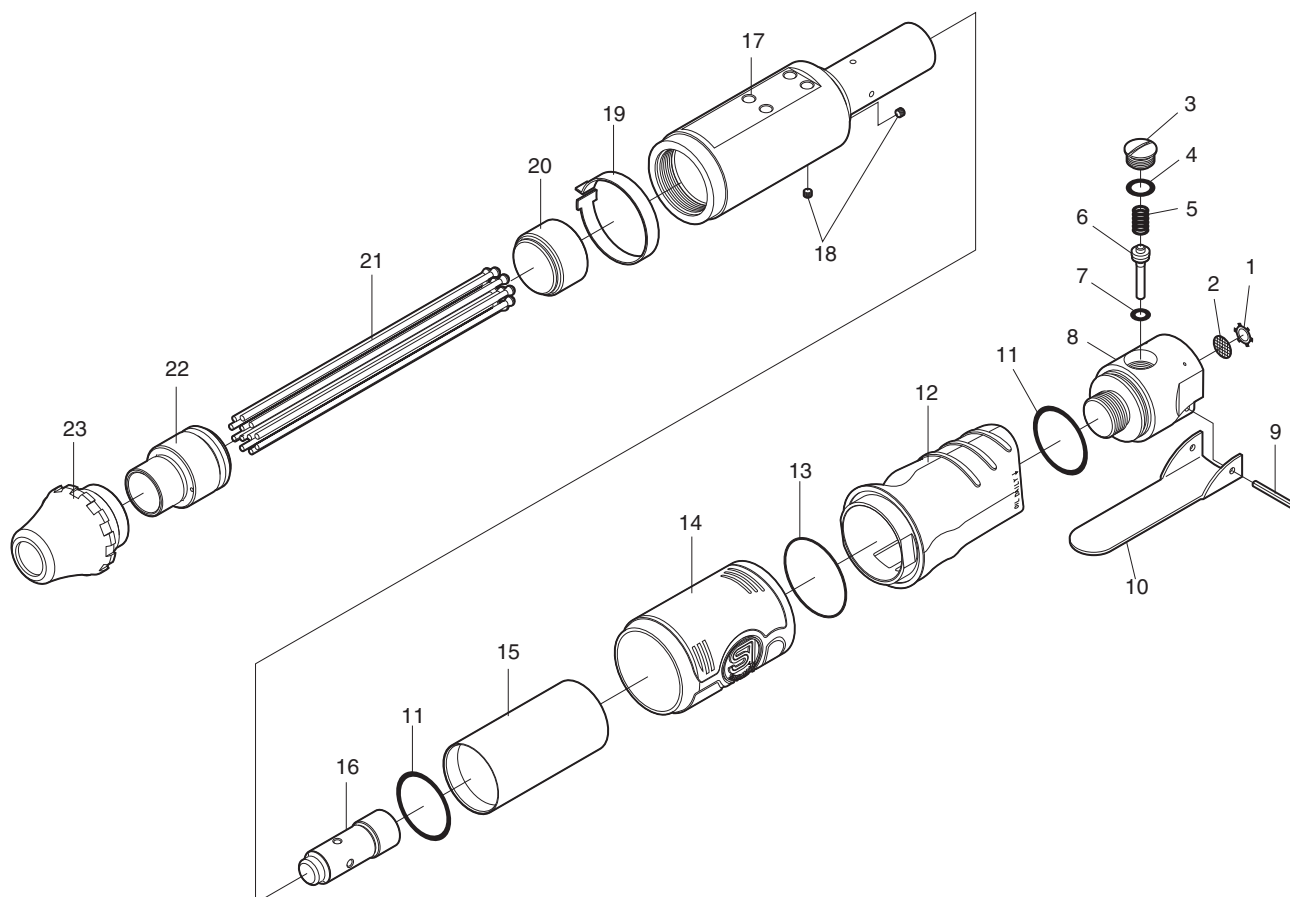


SI-4150EX

Needle Scaler



Ref. No.	Parts No.	Description	Q'ty	Ref. No.	Parts No.	Description	Q'ty
1	CRTW-12	Retainer	1	13	S-46	O-ring	1
2	680-28A	Screen	1	14	821-2SI	Front Grip	1
3	230-68	Valve Screw	1	15	820-2	Sleeve	1
4	P-10	O-Ring	1	16	820-7	Piston	1
5	230-4	Valve Spring	1	17	820-5	Cylinder incl. Screws(ROM40---30x2)	1
6	230-6	Valve Stem	1	18	ROM40---30	Set Screw	2
7	P-6	O-Ring	1	19	820-3	Safety Lock	1
8	820-10	Valve Body incl. Valve Bush(230-7)	1	20	820-8	Anvil	1
9	30-30	Roll Pin(3ø-30mm)	1	21	820-11	Needle	12
10	430-3	Throttle Lever	1	22	820-9	Needle Holder	1
11	JASO-1033	O-Ring	2	23	820-6	Top Cover	1
12	820A-1	Rear Grip	1				