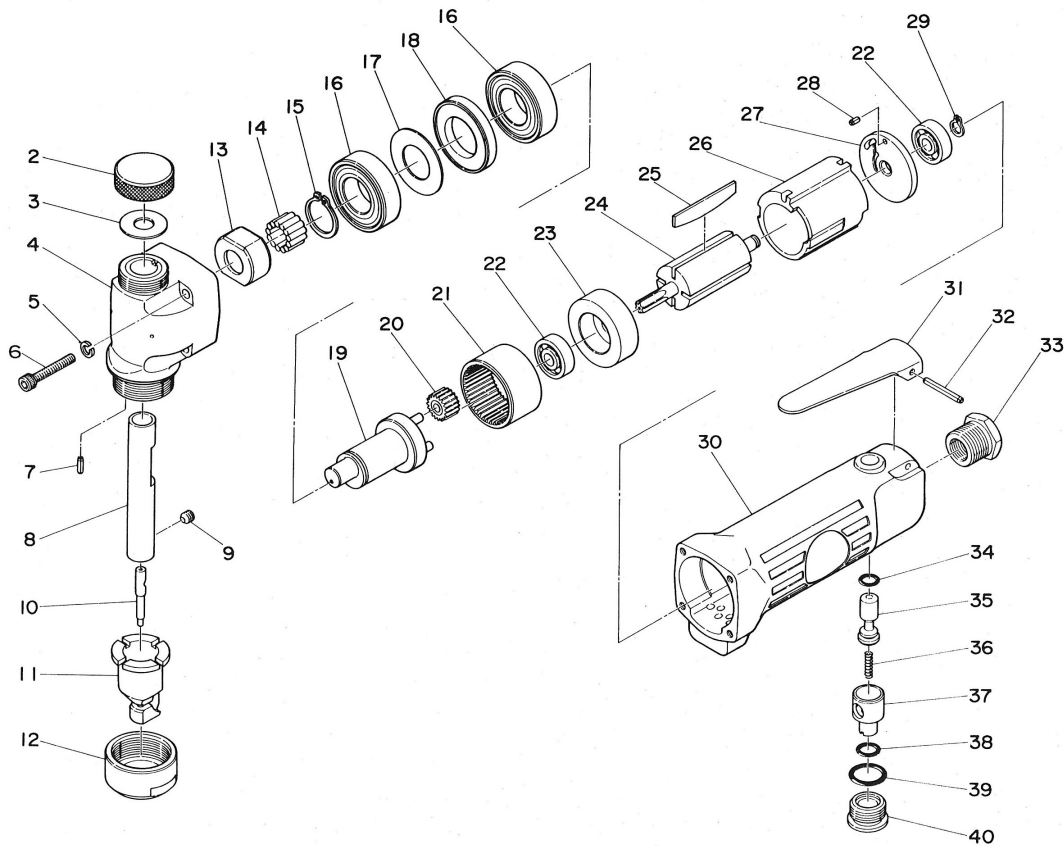


SI-4600

Air Nibbler



Ref No	Code	Description	Qty
02	502-30	Grease Cap	1
03	502-43	Cap Gasket	1
04	502-29	Cutter Housing incl. Bush(502-34)	1
05	HSW-40	Washer	4
06	Z-832-250	Cap Screw	4
07	25-8	Roll Pin	1
08	502-33	Slide Pin	1
09	R-M50-50	Set Screw	1
10	502-42	Punch	1
11	502-41	Die	1
12	502-45	Lock Nut	1
13	502-31	Cam	1
14	502-32	Planet Pin	13
15	JS-17	Retaining Ring	1
16	6003Z	Ball Bearing	2
17	502-26	Seal Plate	1
18	502-25	Spacer	1
19	502-24	Crank Shaft incl. Pins(300-21 x 3)	1
20	217-12	Planet Gear incl. Bush (217-33)	3
21	217-10	Internal Gear	1
22	626	Ball Bearing	2
23	220-12	Front Plate	1
24	220-15A	Rotor	1
25	350-16	Rotor Blade	4
26	220-13	Cylinder	1
27	220-11A	Rear Plate	1
28	25-5	Roll Pin	1
29	JS-6	Retaining Ring	1
30	502-8	Motor Housing	1
31	350-2	Throttle Lever	1
32	30-24	Roll Pin	1
33	670-22	Inlet Bushing	1
33	670-22	Inlet Bushing	1
34	P-5	O-Ring	1
35	350-5	Valve Stem	1
36	350-7	Valve Spring	1
37	350-8	Air Regulator	1

Ref No	Code	Description	Qty
38	P-8	O-Ring	1
39	P-11	O-Ring	1
40	350-10	Valve Screw	1