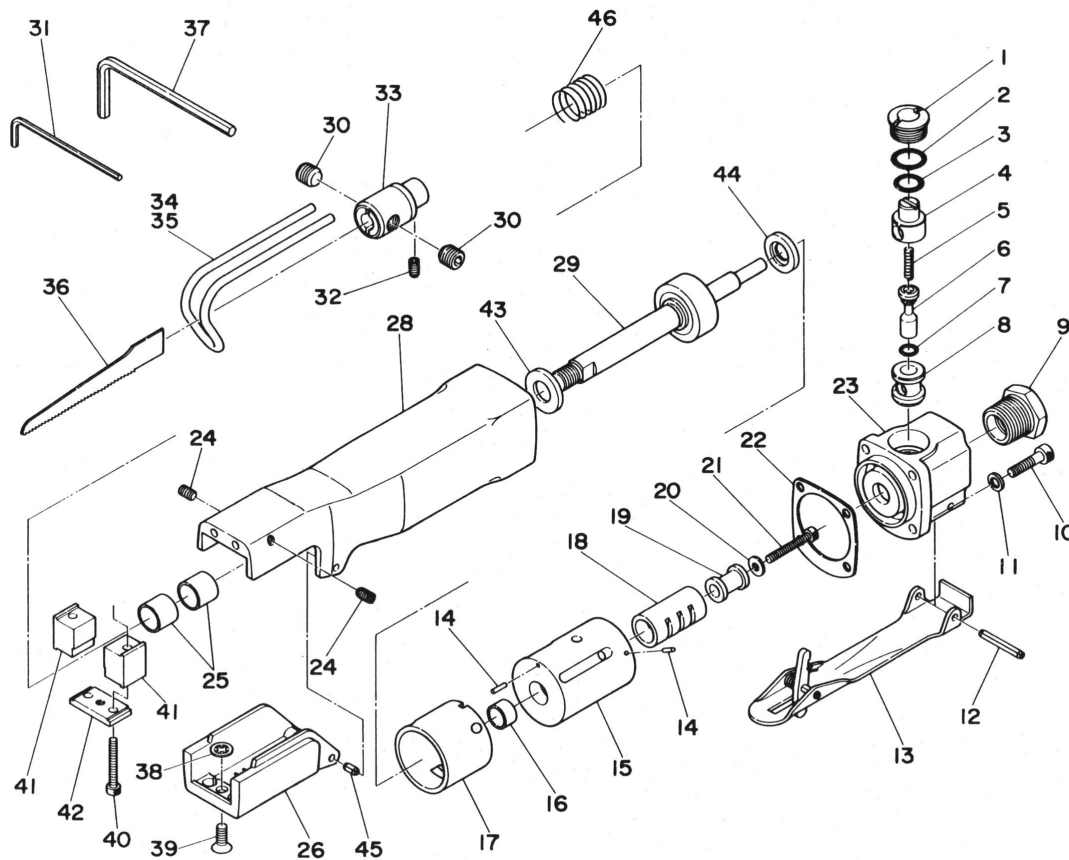


SI-4700B

Air Saw



Ref No	Code	Description	Qty
01	330-10	Valve Screw	1
02	P-10	O-Ring	1
03	P-8	O-Ring	1
04	330-8	Air Regulator	1
05	350-7	Valve Spring	1
06	330-5	Valve Stem	1
07	P-4	O-Ring	1
08	330-4	Valve Bush	1
09	670-22	Inlet Bushing	1
10	Z-832-190	Cap Screw	4
11	HSW-40	Washer	4
12	30-24	Roll Pin	1
13	506-48A	Throttle Lever	1
14	1500-68	Pin	2
15	506-19D	Valve Case	1
16	506-12	Bush	1
17	506-17	Cylinder	1
18	506-18	Valve Sleeve	1
19	506-20	Actuate Valve	1
20	506-28	Washer	1
21	Z-M30-220	Cap Screw	1
22	506-22D	Gasket	1
23	506-23D	Valve Block incl. Valve Bushing(330-04)	1
24	ROM40-60	Set Screw	2
25	506-11	Bush	2
26	506-45A	Chuck Cover	1
28	506-1D	Housing incl. Cover(660R-37)	1
29	506-10A	Piston Rod Assy incl. Piston, Spacer & Nut(506-14B, 506-15A, 506-16)	1
29-1	506-14	Piston	1
29-2	506-14B	Tape	1
29-3	506-15A	Spacer	1
29-4	506-16	Nut	1
30	ROM80-70	Set Screw	2
31	WRA-2	2mm Allen Wrench	1
32	R3-M50-50	Set Screw	1
33	506-3A	Blade Chuck	1

Ref No	Code	Description	Qty
34	506-2L	Work Guide Long	1
35	506-2S	Work Guide (Short)	1
36	506-49A	Saw Blade	1
37	WRA-4	4mm Allen Wrench	1
38	GSE-3.5	Retaining Ring	1
39	506-7	Screw	1
40	Z-M30-240	Cap Screw	2
41	506-46	Blade Guide	2
42	506-52	Bridge	1
43	506-50D	Front Bumper	1
44	506-51D	Rear Bumper	1
45	30-6	Roll Pin	2
46	506-53	Spring	1