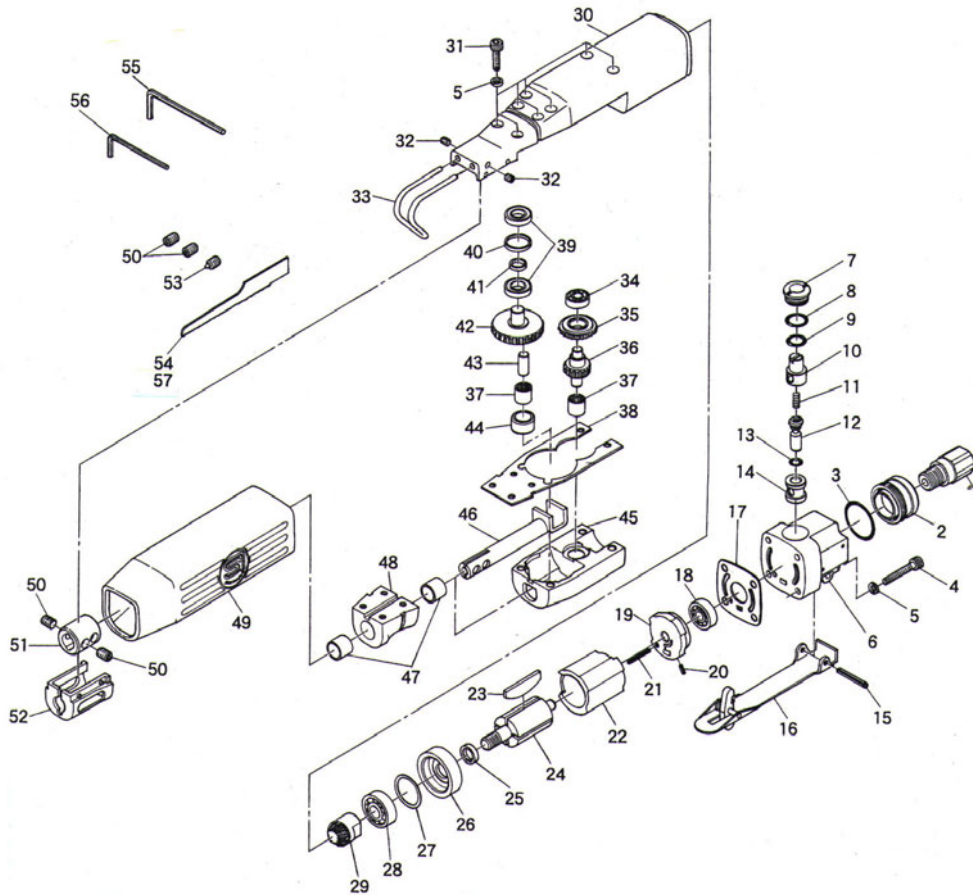


SI-4730

Air Saw



Ref No	Code	Description	Qty
1	175B-26	Inlet Bushing	1
2	1025-5	Deflector	1
3	620-28	O-Ring	1
4	Z-832-250	Cap Screw	4
5	HSW-40	Washer	12
6	1025-4	Valve Case	1
7	330-10	Valve Screw	1
8	P-10	O-Ring	1
9	P-8	O-Ring	1
10	330-8	Air Regulator	1
11	350-7	Valve Spring	1
12	330-5	Valve Stem	1
13	P-4	O-Ring	1
14	330-4	Valve Bush	1
15	30-24	Roll Pin	1
16	506-48A	Throttle Lever	1
17	1025-6	Motor Gasket	1
18	626	Ball Bearing	1
19	1025-24	Rear Plate	1
20	15-6	Roll Pin	1
21	15-18	Roll Pin	1
22	1025-21	Cylinder	1
23	1025-23	Rotor Blade	4
24	1025-22	Rotor	1
25	330-18	Collar	1
26	1025-10	Front Plate	1
27	330-20	Shim (0.03mm)	1
28	608ZZ	Ball Bearing	1
29	1025-15	Pinion Gear	1
30	1025-1	Motor Housing	1
31	Z-832-160	Cap Screw	8
32	ROM40-50	Set Screw	2
33	1025-26	Work Guide	1
34	696	Ball Bearing	1
35	1025-16	Bevel Gear	1
36	1025-18	Drive Pinion	1
37	HK0609	Needle Bearing	2

Ref No	Code	Description	Qty
38	1025-7	Crank Case Gasket	1
39	688	Ball Bearing	2
40	1025-20	Collar L	1
41	1025-19	Collar S	1
42	1025-17	Drive Gear	1
43	1025-14	Drive Pin	1
44	1025-13	Drive Roller	1
45	1025-2	Crank Case	1
46	1025-9	Drive Shaft	1
47	506-11	Bush	2
48	1025-3	Slide Pin Case	1
49	1025-8	Housing Cover	1
50	ROM60-80	Set Screw	4
51	1025-11	Blade Chuck	1
52	1025-25	Chuck Cover	1
53	1025-12	Stopper Screw	1
54	1025-49	Saw Blade (32T)	1
55	WRA-3	3mm Allen Wrench	1
56	WRA-2	2mm Allen Wrench	1
◆ 57	1025-50	Saw Blade (24T)	1
◆ 58	890-100	Wipe Hose Assy	1

◆ Option