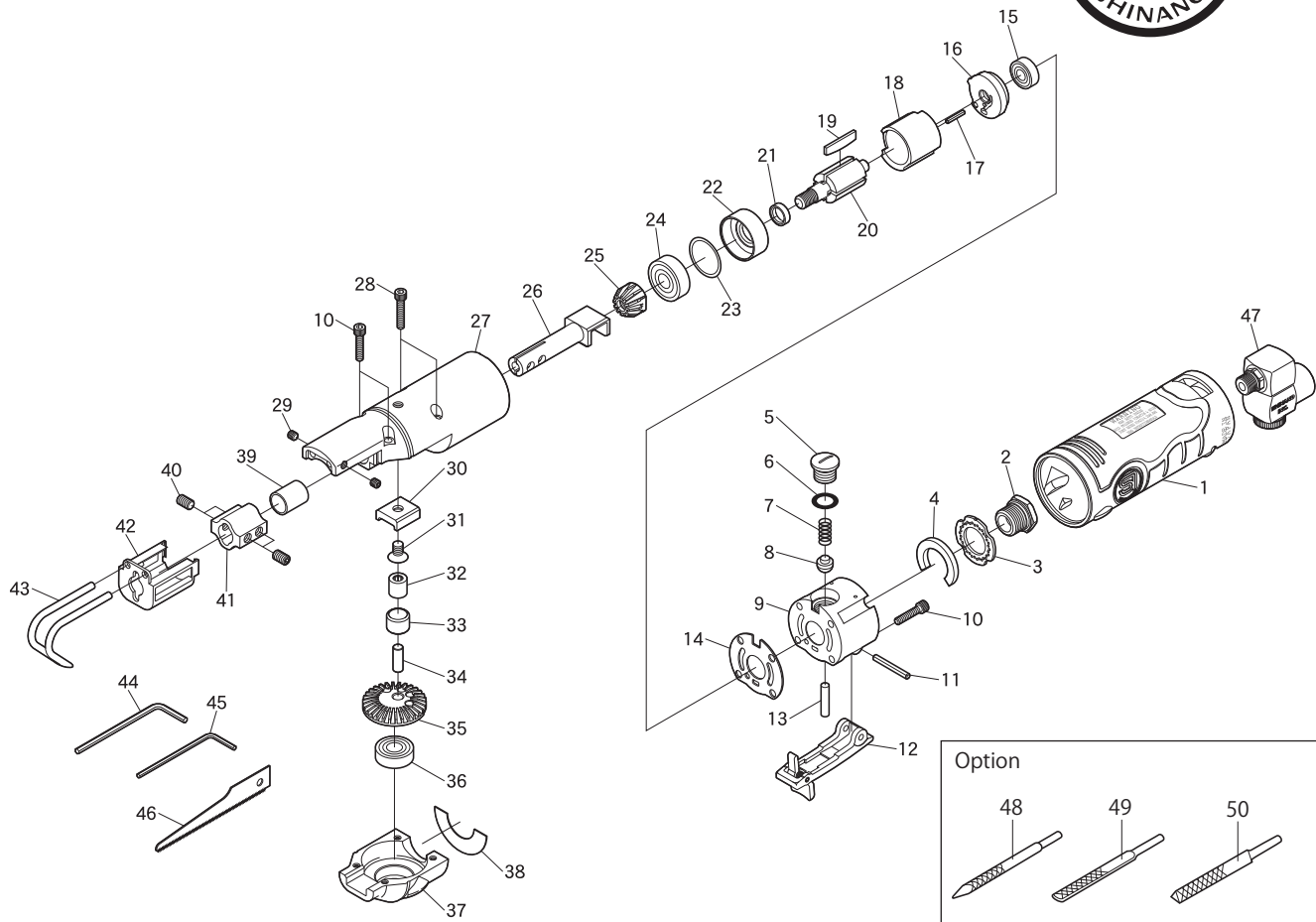


SI-4740

Mini Air Saw



| Ref. No. | Parts No. | Description | Q'ty | Ref. No. | Parts No. | Description | Q'ty |
|----------|------------|--------------------------------------|------|----------|------------|-----------------------------------|------|
| 1 | 1026-12 | Housing Cover | 1 | 26 | 1026-5 | Slide Pin | 1 |
| 2 | 1310-15 | Inlet Bushing | 1 | 27 | 1026-1 | Motor Housing | 1 |
| 3 | 1026-17 | Deflector | 1 | 28 | Z-632--185 | Cap Screw | 2 |
| 4 | 310Q-4 | Muffler | 1 | 29 | R-M40---40 | Set Screw | 2 |
| 5 | 800-14 | Valve Screw | 1 | 30 | 1026-10 | Slide Guide | 1 |
| 6 | S-9 | O-Ring | 1 | 31 | E-M50---80 | Screw | 1 |
| 7 | 670-49 | Valve Spring | 1 | 32 | HK0509 | Needle Bearing | 1 |
| 8 | 300-10 | Valve | 1 | 33 | 1026-8 | Drive Roller | 1 |
| 9 | 1026-15 | Valve Block incl. Valve Bush(310-15) | 1 | 34 | 1026-9 | Drive Pin | 1 |
| 10 | Z-632--165 | Cap Screw | 6 | 35 | 1026-4 | Bevel Gear | 1 |
| 11 | 30-24 | Lever Pin | 1 | 36 | 698ZZ | Ball Bearing | 1 |
| 12 | 1026-16 | Throttle Lever | 1 | 37 | 1026-2 | Crank Cover | 1 |
| 13 | 310-45 | Valve Pin | 1 | 38 | 1026-20 | Gasket | 1 |
| 14 | 1026-14 | Gasket | 1 | 39 | 1026-13 | Bush | 1 |
| 15 | 696ZZ | Ball Bearing | 1 | 40 | R5M50---80 | Set Screw | 4 |
| 16 | 1313-6 | Rear Plate | 1 | 41 | 1026-18 | Blade Chuck incl. Bush(M5-1D x 4) | 1 |
| 17 | 20-12 | Roll Pin(2ø-12mm) | 1 | 42 | 1026-11 | Chuck Cover | 1 |
| 18 | 1313-4 | Cylinder | 1 | 43 | 1025-26 | Work Guide | 1 |
| 19 | 1313-5 | Rotor Blade | 4 | 44 | WRA-2.5 | 2.5 mm Allen Wrench | 1 |
| 20 | 1026-6 | Rotor | 1 | 45 | WRA-2 | 2 mm Allen Wrench | 1 |
| 21 | 330-18 | Collar | 1 | 46 | 1026-49A | Saw Blade 32T | 1 |
| 22 | 1026-7 | Front Plate | 1 | 47 | 1026-50 | Swivel Regulator | 1 |
| 23 | 330-20 | Shim(0.03mm) | 1 | ★ 48 | 506P-56R | Optional Round File | 1 |
| 24 | 608ZZ | Ball Bearing | 1 | ★ 49 | 506P-56F | Optional Square File | 1 |
| 25 | 1026-3 | Pinion Gear | 1 | ★ 50 | 506P-56T | Optional Triangle File | 1 |