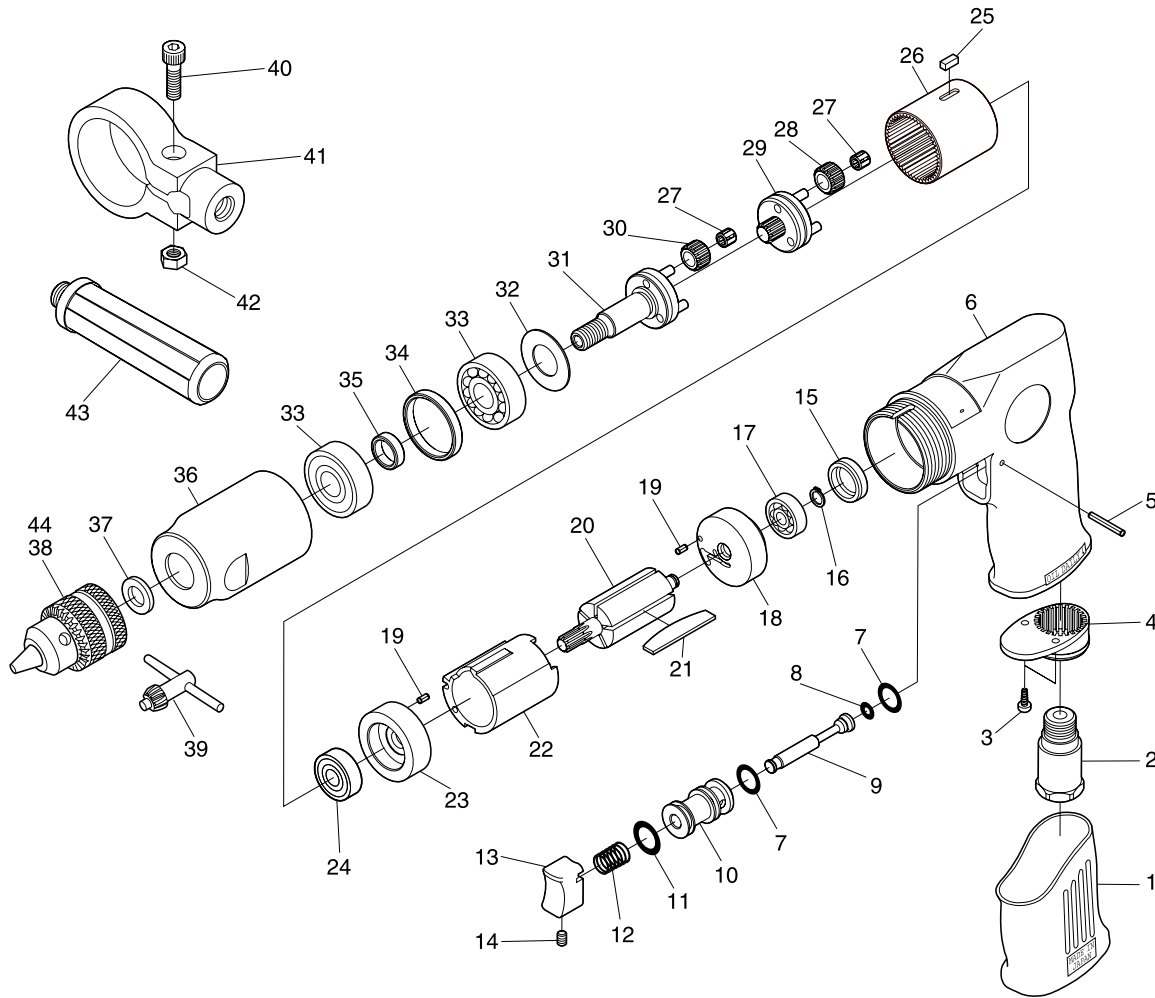


SI-5200A

500R.P.M. 1/2" Planetary Gear Drill



Ref. No.	Parts No.	Description	Q'ty	Ref. No.	Parts No.	Description	Q'ty
1	120-35	Housing Cover	1	24	608-ZZ	Ball Bearing	1
2	120-17	Inlet Bushing	1	25	940-46	Key	1
3	JBM30...80	Screw	2	26	1300-6C-7	Internal Gear	1
4	120-11	Deflector	1	27	1300C-20AS	Cage incl. Pins (1300-45C4A×6)	6
5	25-20	Roll Pin (2.5φ-20mm)	1	28	1300C-8	Planet Gear	3
6	120-5A-3AS	Motor Housing incl. Steel Ball (SB-1/4)	1	29	1300-6C-4AS	Reduction Spindle incl. Pinion & Pins (1300-6C-5,300-21×3)	1
7	P-10	O-Ring	2	30	1300-6C-6	Planet Gear	3
8	P-4	O-Ring	1	31	120-5A-4AS	Work Spindle incl. Pins (300-21×3)	1
9	120-14	Valve Stem	1	32	957-35	Washer	1
10	120-13	Valve Bushing	1	33	6201-Z	Ball Bearing	2
11	P-11	O-Ring	1	34	215-8-2	Outer Collar	1
12	120-31	Valve Spring	1	35	215-8-3	Inner Collar	1
13	120-18	Trigger	1	36	1300-6C-2	Clamp Nut	1
14	R-M40...60	Set Screw	1	37	680-7	Spacer	1
15	680-34	Bearing Cap	1	38	31902	1/2" Drill Chuck w/Handle KK	1
16	JS-6	Retaining Ring	1	39	KK	Chuck Handle for 22BA, SM8K61&31902	1
17	626	Ball Bearing	1	40	Z-M60...200	Cap Screw	1
18	120-5A-2	Rear Plate	1	41	210-5-1	Bracket	1
19	25-5	Roll Pin (2.5φ-5mm)	2	42	N1-M60	Nut	1
20	1300C-10	Rotor	1	43	240-50	Handle	1
21	350-16	Rotor Blade	5	◆44	LM13W	1/2" Cap. Keyless Chuck(3/8" Thd.)	1
22	680-1	Cylinder	1				
23	120-5A-1	Front Plate	1				