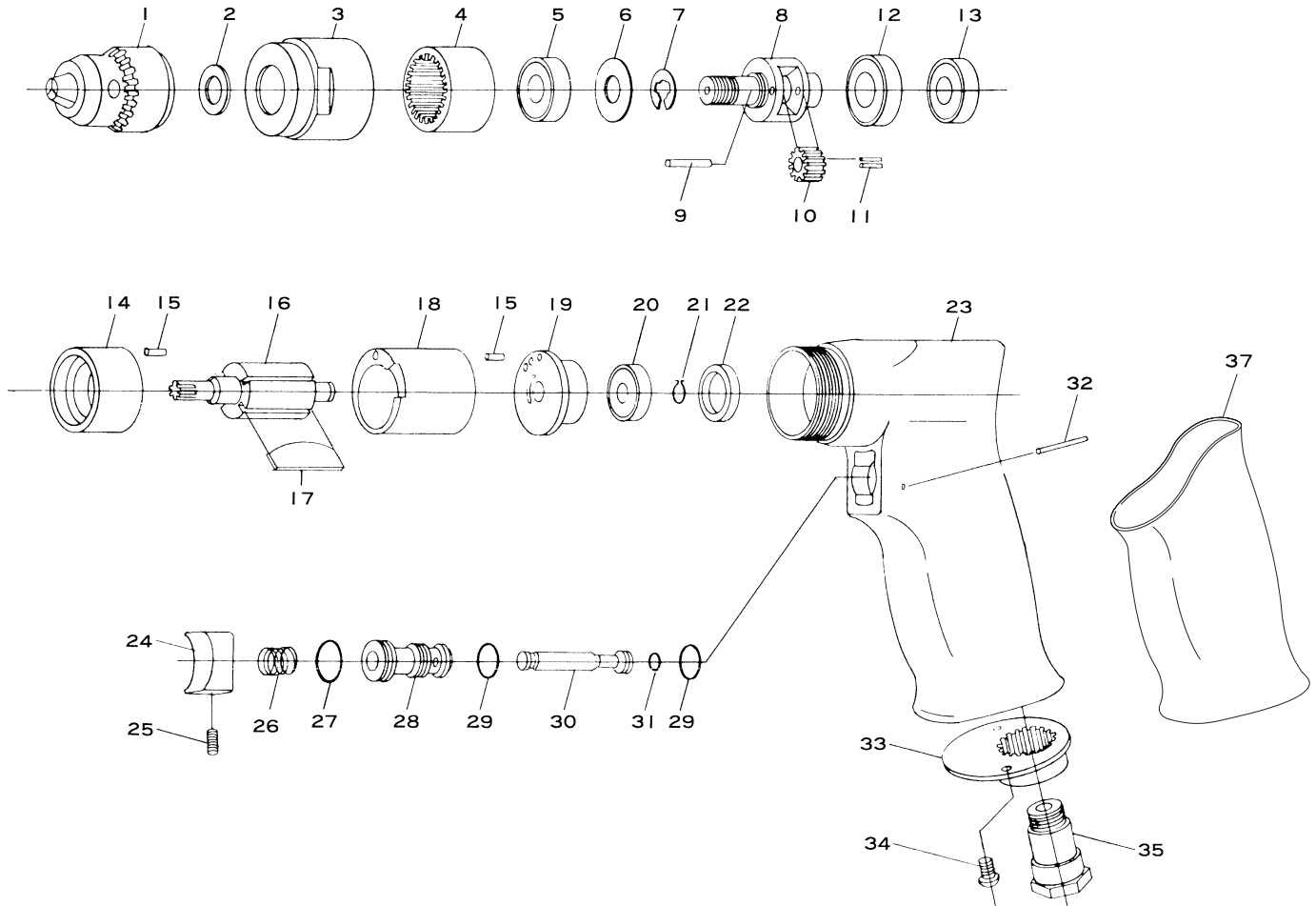


SI-5300A

3/8" Planetary Gear Drill



Ref. No.	Parts No.	Description	Q'ty	Ref. No.	Parts No.	Description	Q'ty
1	22BA	3/8" Drill Chuck w/Handle KK	1	20	626	Ball Bearing	1
2	680-7	Spacer	1	21	JS-6	Retaining Ring	1
3	680-8	Clamp Nut	1	22	680-34	Bearing Cap	1
4	680-9	Internal Gear	1	23	120-10ASI	Motor Housing	1
5	EE-3-ZZ	Ball Bearing	1	24	120-18	Trigger	1
6	680-22	Fiber Washer	1	25	R-M40-60	Set Screw	1
7	IE-10	Retaining Ring	1	26	120-31	Valve Spring	1
8	680-3	Planet Cage	1	27	P-11	O-Ring	1
9	680-17	Planet Pin	2	28	120-13	Valve Bushing	1
10	680-6	Planet Gear	2	29	P-10	O-Ring	2
11	1500-11-8	Needle Roller	22	30	120-14	Valve Stem	1
12	6001	Ball Bearing	1	31	P-4	O-Ring	1
13	608-ZZ	Ball Bearing	1	32	25-20	Roll Pin (2.5-20mm)	1
14	680-4	Front Plate	1	33	120-11	Deflector	1
15	25-5	Roll Pin (2.5-5mm)	2	34	JBM30-80	Screw	2
16	680-5	Rotor	1	35	120-17	Inlet Bushing	1
17	350-16	Rotor Blade	4	36	KK	Chuck Handle for 22BA, SM8K61 & 31902	1
18	680-1	Cylinder	1	37	120-35	Housing Cover	1
19	680-2	Rear Plate	1	◆38	LX10	3/8" Cap. Keyless Chuck (3/8" Thd.)	