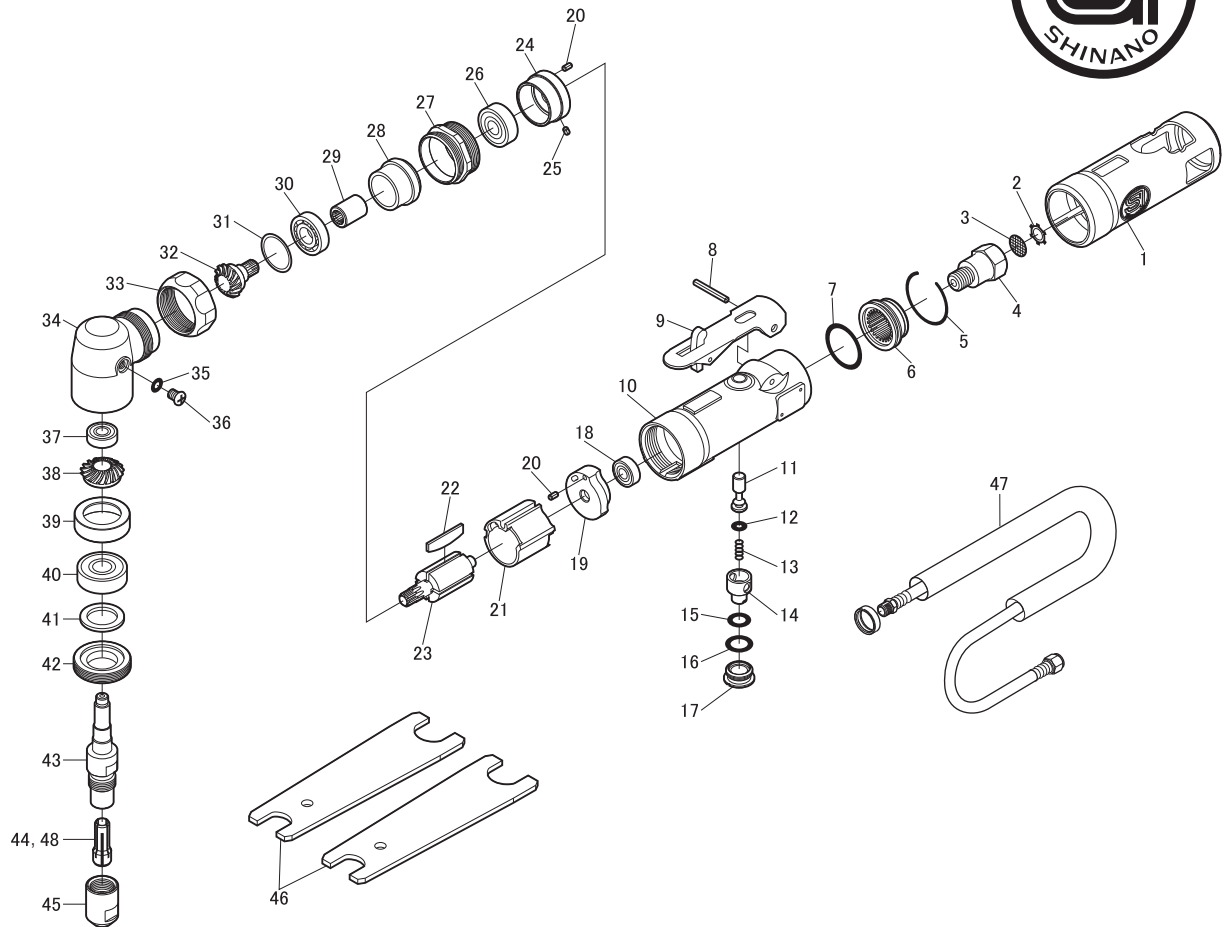


# SI-AG20E-6L Angle Die Grinder



Ref. No.	Parts No.	Description	Q'ty	Ref. No.	Parts No.	Description	Q'ty
1	114SE-6	Housing Cover	1	26	608ZZ	Ball Bearing	1
2	CRTW-12	Retainer	1	27	115MSN-2	Motor Clamp Nut	1
3	680-28A	Screen	1	28	114DA-10	Collar	1
4	610-2	Inlet Bushing	1	29	114DA-7	Coupling	1
5	610-30	Retaining Ring	1	30	EE3	Ball Bearing	1
6	610-29	Deflector	1	31A	330-20	Shim(0.03mm)	★
7	S-22.4	O-Ring	1	31B	330-29	Shim(0.05mm)	
8	30-24	Roll Pin(3Ø-24mm)	1	32	114H-3	Pinion Gear	1
9	350-2L	Throttle Lever	1	33	114-4B	Angle Head Coupling Nut	1
10	612-1	Motor Housing incl. Bush (330-4)	1	34	114SE-5B	Angle Head	1
11	330-5	Valve Stem	1	35	S-5	O-Ring	1
12	P-4	O-Ring	1	36	A-M50--60	Screw	1
13	350-7	Valve Spring	1	37	R4ZZ	Ball Bearing	1
14	330-8	Air Regulator	1	38	114H-4	Bevel Gear	1
15	P-8	O-Ring	1	39	114DA-9	Spacer	1
16	P-10	O-Ring	1	40	6000ZZ	Ball Bearing	1
17	330-10	Valve Screw	1	41	243-4	Felt Ring	1
18	696ZZ	Ball Bearing	1	42	114SE-4	Spindle Nut	1
19	610S-2	Rear Plate	1	43	114SE-1	Spindle	1
20	25-5	Roll Pin(2.5Ø-5mm)	2	44	114SE-3	6mm Collet	1
21	330-30	Cylinder	1	45	114SE-2	Collet Nut	1
22	330-16	Rotor Blade	4	46	350-28	Spanner Wrench (14x19mm)	2
23	114DA-1	Rotor	1	47	106-9MAS	Wipe Hose M Assy	1
24	114DA-11	Front Plate	1	<b>OPTION</b>			
25	25-3.5	Roll Pin(2.5Ø-3.5mm)	1	48	114SE-3A	1/4 Collet	1