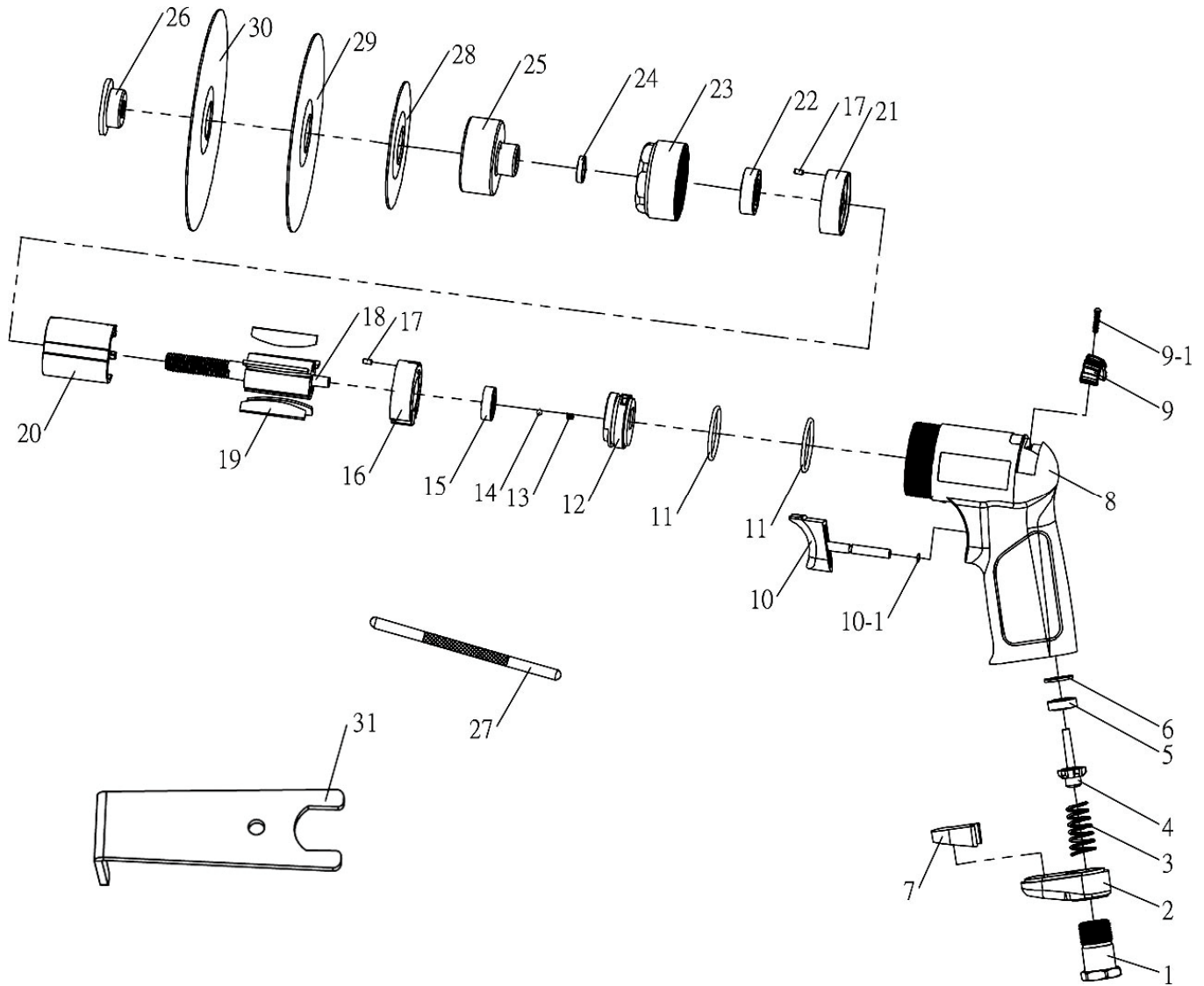


ST-C123

5" AIR HIGH SPEED SANDER -COMPOSITE HOUSING



PARTS LIST

No.	Parts No.	Description	Q'ty
1	C123-01	Inlet Bushing	1
2	C123-02	Deflector	1
3	C123-03	Valve Spring	1
4	C123-04	Valve	1
5	C123-05	Valve Seat	1
6	C123-06	Spacer	1
7	C123-07	Silencer	1
8	C123-08	Composite Housing	1
9	C123-09	Reverse Valve Lever	1
9-1	C123-09-1	Taping Screw (Φ2.3x12L)	1
10	C123-10	Trigger	1
10-1	C123-10-1	O-Ring (3x1)	1
11	C123-11	O-Ring (27x2)	2
12	C123-12	Valve Body	1
13	C123-13	Spring	1
14	C123-14	Detent Ball	1
15	C123-15	Ball Bearing	1

No.	Parts No.	Description	Q'ty
16	C123-16	Rear Plate	1
17	C123-17	Spring Pin	2
18	C123-18	Rotor	1
19	C123-19	Rotor Blade	5
20	C123-20	Cylinder	1
21	C123-21	Front Plate	1
22	C123-22	Ball Bearing	1
23	C123-23	Front Housing	1
24	C123-24	Anvil Bushing	1
25	C123-25	Support	1
26	C123-26	Nut	1
27	C123-27	Adjust Pole	1
28	C123-28	3" Pad	1
29	C123-29	4.5" Pad	1
30	C123-30	5" Pad	1
31	C123-31	Angle Ended Spanner	1