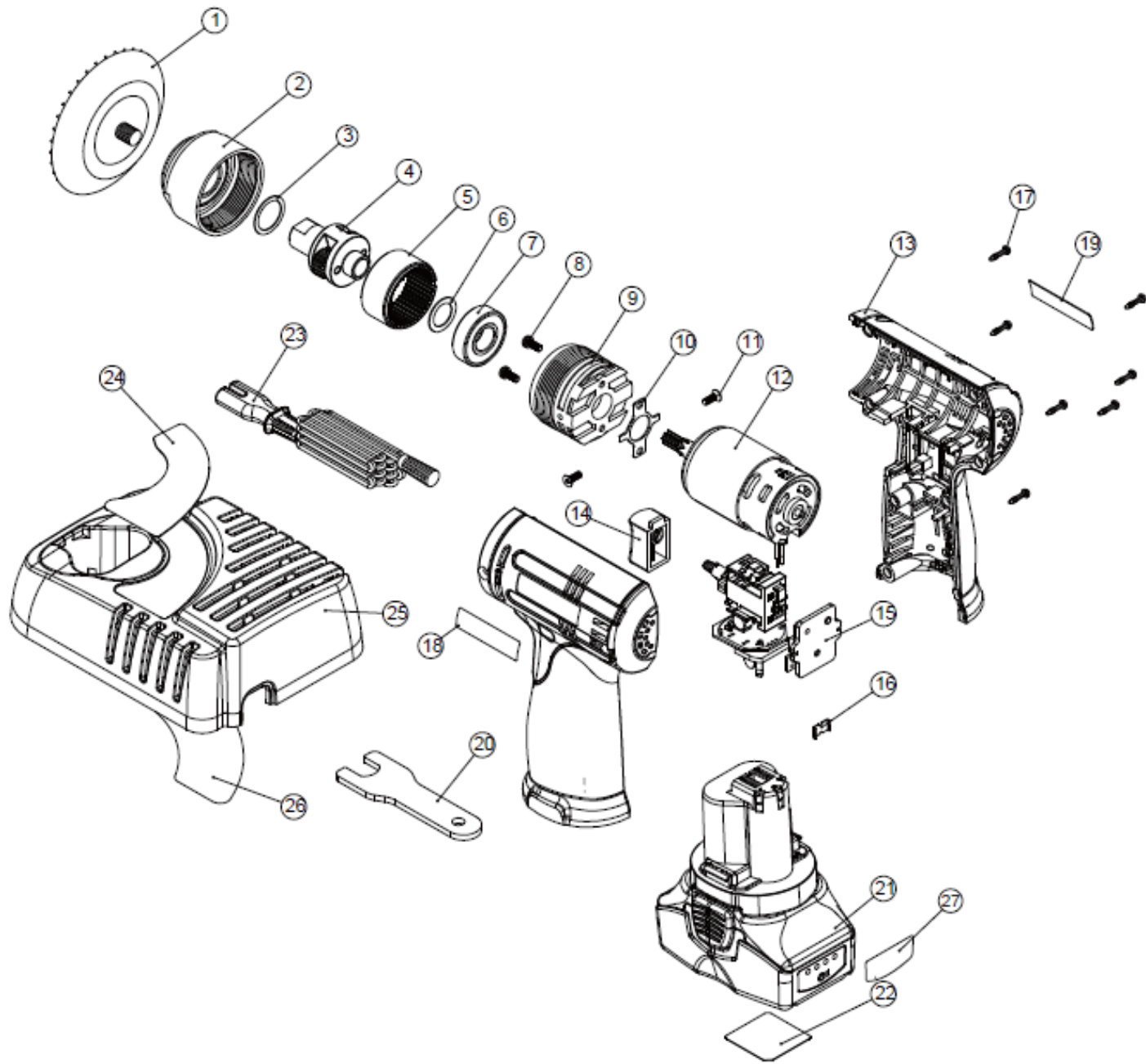


Model No. : AP-8200



PART LIST

NO.	PARTS NO.	PARTS NAME	SPECIFICATION	Q'TY
1	2WHEA016	SANDING PAD	5/16"X24t PU PAD VELCRO	1
2	1COVB005	FRONT COVER ASS'Y		1
3	2WASA021-B	WASHER	$\psi 19.5 \times 15.2 \times 0.5 \text{ T HRC} 50 \pm 3^\circ$	1
4	1SHAA086	BUSH ASS'Y		1
5	2GEAA281-B	RING GEAR	S45C	1
6	2WASA017-B	WASHER	SK7 $\psi 17.5 \times 12.1 \times 0.5 \text{ T}$	1
7	2BEAA048	BEARING	$\phi 28 \times 12 - 7$	1
8	2SCRA188-B	SCREW		2
9	2STEA172-B	MOTOR FIXITY	ADC-10+CNC	1
10	2WASA167-C	WASHER	$\phi 6.5 \times \phi 3.5 - 0.8 \text{ T}$	1
11	2SCRA198	SCREW	M3X8	2
12	1MOTA340	MOTOR ASS'Y		1
13	2HOUB719	HOUSING-L&R	PA6+20%GF	1
14	2KNOB068	TRIGGER	PA6+20%GF	1
15	1PCBA157-C	MAIN SWITCH & PCB ASS'Y		1
16	2ELPA015-D	HOUSING CLIP	SUS304	1
17	2SCRA176-B	HOUSING SCREW	TP2.6X10L	7
18	2LABC507	HOUSING LABEL-L		1
19	2LABE755	HOUSING LABEL-R		1
20	2SPAA017-B	WRENCH	4130	1
21	1BATB317	BATTERY PACK		1
22	2LABE288-C	BATTERY LABEL		1
23	2CORA054	POWER CORD		1
24	2LABE286	CHARGER UPPER LABEL		1
25	32916A-D	CHARGER		1
26	2LABE289	CHARGER LOWER LABEL		1
27	2LABE290-B	FUEL GAUGE LABEL		1