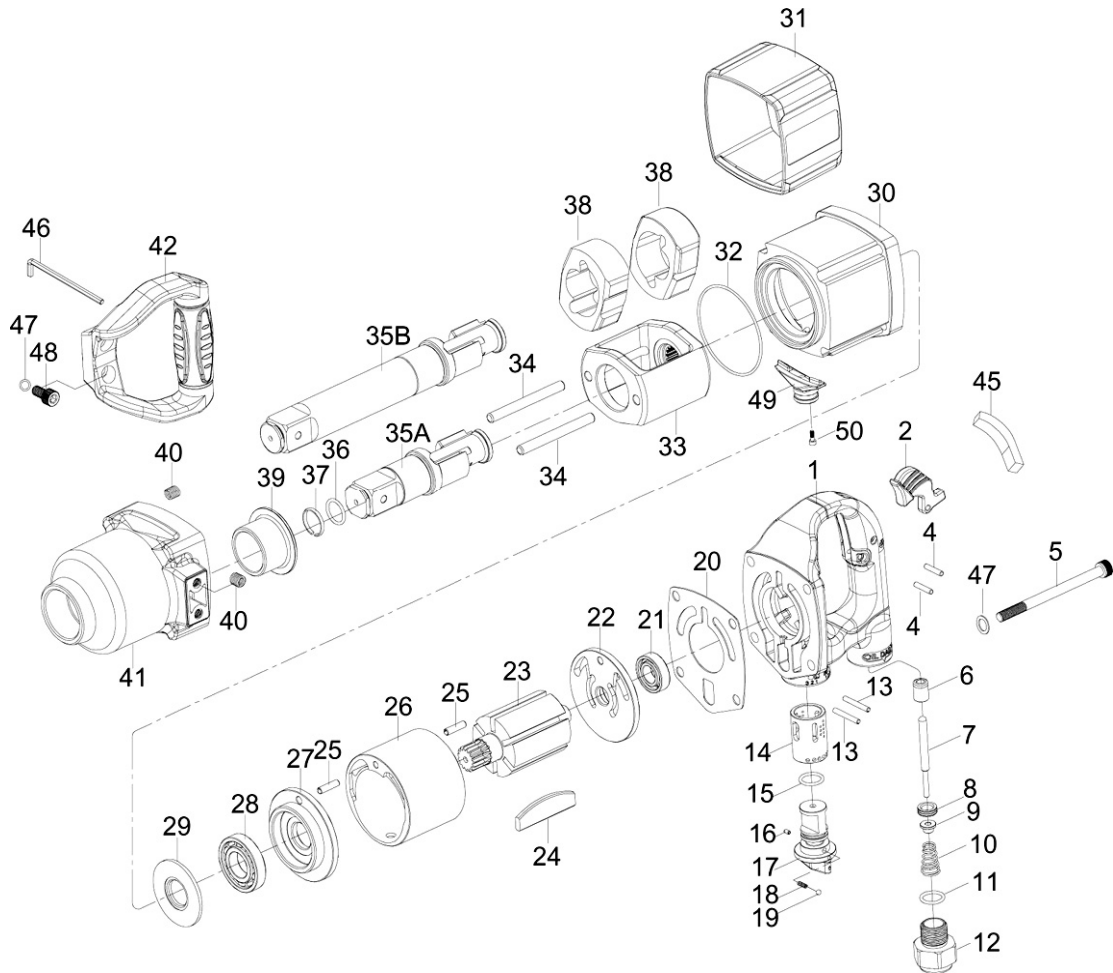


# ST-5830(-6)

## 1" SQ. DR. SUPER DUTY AIR IMPACT WRENCH (W/6" ANVIL) (TWIN-HAMMER)



### PARTS LIST

No.	Parts No.	Description	Q'ty	No.	Parts No.	Description	Q'ty
1	5830-01	Backhead Ass'y [Incl. 6, 14]	1	28	5830-28	Bearing	1
2	5830-02	Inside Trigger	1	29	5830-29	Washer	1
4	5830-04	Pin	2	30	5830-30	Housing	1
5	5830-05	Screw	4	31	5830-31	Rubber Grip	1
7	5830-07	Throttle Valve Plunger	1	32	5830-32	O-Ring	1
8	5830-08	Throttle Valve Seat	1	33	5830-33	Hammer Frame	1
9	5830-09	Throttle Valve	1	34	5830-34	Hammer Pin	2
10	5830-10	Spring	1	35	5830-35A	1" Anvil	1
11	5830-11	O-Ring	1		5830-35B	6" Ext. 1" Dr. Anvil	1
12	5830-12A	Air Inlet (PT19)	1	36	5830-36	O-Ring	1
	5830-12B	Air Inlet (NPT18)	1	37	5830-37	Socket Retainer	1
13	5830-13	Pin	2	38	5830-38	Hammer	2
15	5830-15	O-Ring	1	41	5830-41	Hammer Case Ass'y [Incl. 39, 40(6)]	1
16	5830-16	Pin	2	42	5830-42	Side Spade Handle	1
17	5830-17	Reverse Valve	1	45	5830-45	Rubber Cap	1
18	5830-18	Spring	1	46	5830-46	Hex. Key Wrench	1
19	5830-19	Steel Ball	1	47	5830-47	Washer	6
20	5830-20	Gasket	1	48	5830-48	Screw	2
22	5830-22	End Plate Ass'y [Incl. 21]	1	49	5830-49	Exhaust Deflector (Option)	1
23	5830-23	Rotor	1	50	5830-50	Screw (For Exhaust Deflecto)	1
24	5830-24	Rotor Blade	6				
25	5830-25	Pin	2	TK	5830-TK	Tune-Up Kit [Incl. 10, 11, 15, 18, 19, 20, 21, 24(6), 28, 32, 36, 37]	
26	5830-26	Cylinder	1				
27	5830-27	End Plate	1				