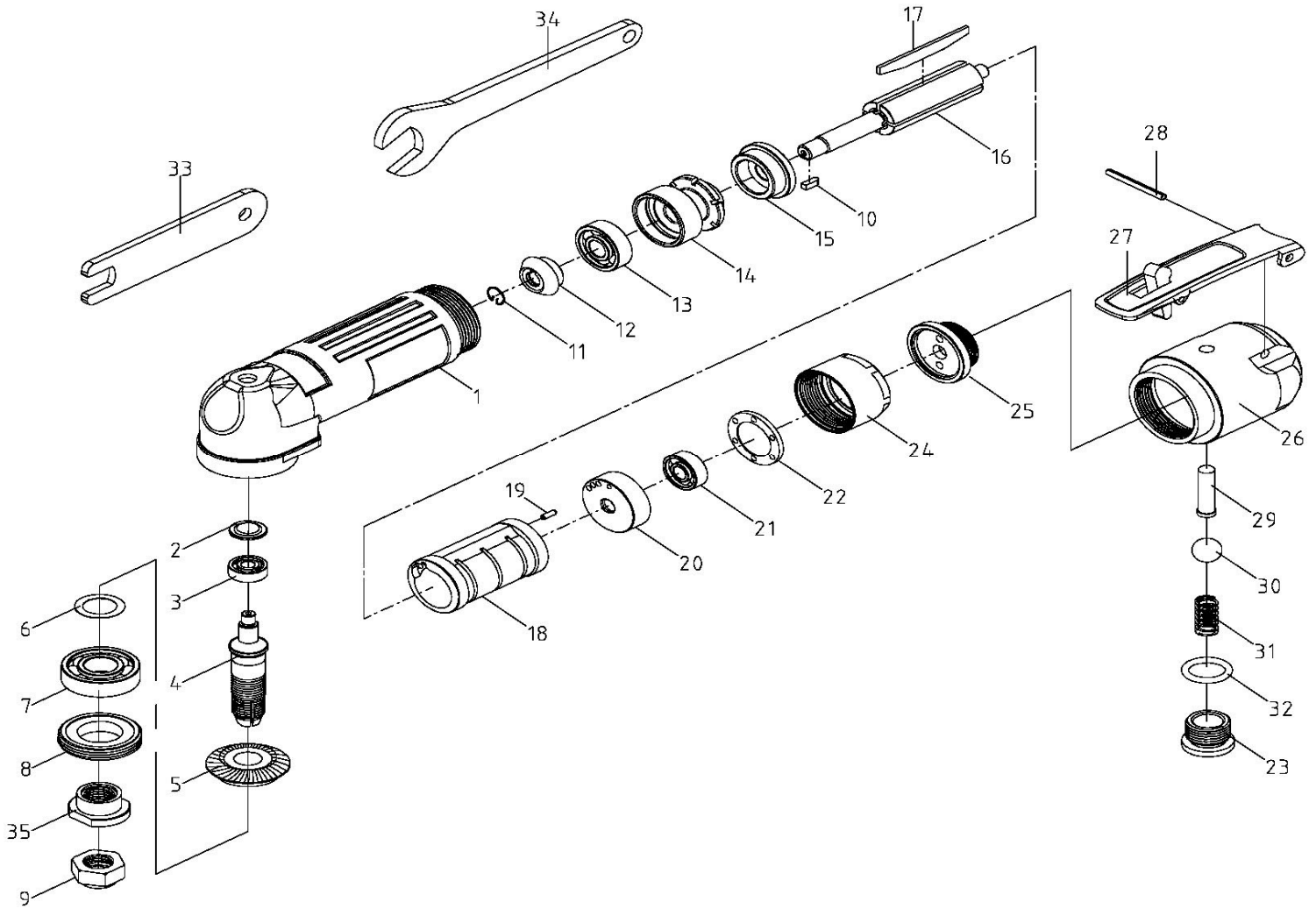


ST-7435(M) AIR ANGLE DIE GRINDER (LEVER TYPE)



PARTS LIST

No.	Parts No.	Description	Q'ty
1	7435-01	Housing	1
2	7435-02	Protector Cover	1
3	7435-03	Ball Bearing	1
4	7435-04A	Spindle [For ST-7735]	1
	7435-04B	Spindle [For ST-7735M]	1
5	7435-05	Driven Gear	1
6	7435-06	Washer	1
7	7435-07	Ball Bearing	1
8	7435-08	Connect Nut	1
9	7435-09	Collets Nut	1
10	7435-10	Key	1
11	7435-11	Retainer Ring	1
12	7435-12	Driving Gear	1
13	7435-13	Ball Bearing	1
14	7435-14	Bearing Seat	1
15	7435-15	Front End Plate	1
16	7435-16	Rotor	1
17	7435-17	Rotor Blade	4

No.	Parts No.	Description	Q'ty
18	7435-18	Cylinder	1
19	7435-19	Dowel Pin	1
20	7435-20	Rear End Plate	1
21	7435-21	Ball Bearing	1
22	7435-22	Protector Cover	1
23	7435-23	Screw	1
24	7435-24	Connect Nut	1
25	7435-25	Screw	1
26	7435-26	Rear Housing	1
27	7435-27	Throttle Lever	1
28	7435-28	Throttle Lever Pin	1
29	7435-29	Valve Stem	1
30	7435-30	Pom Ball	1
31	7435-31	Spring	1
32	7435-32	O-Ring	1
33	7435-33	Wrench	1
34	7435-34	Wrench (17mm)	1
35	7435-35	Fix Pedestal	1