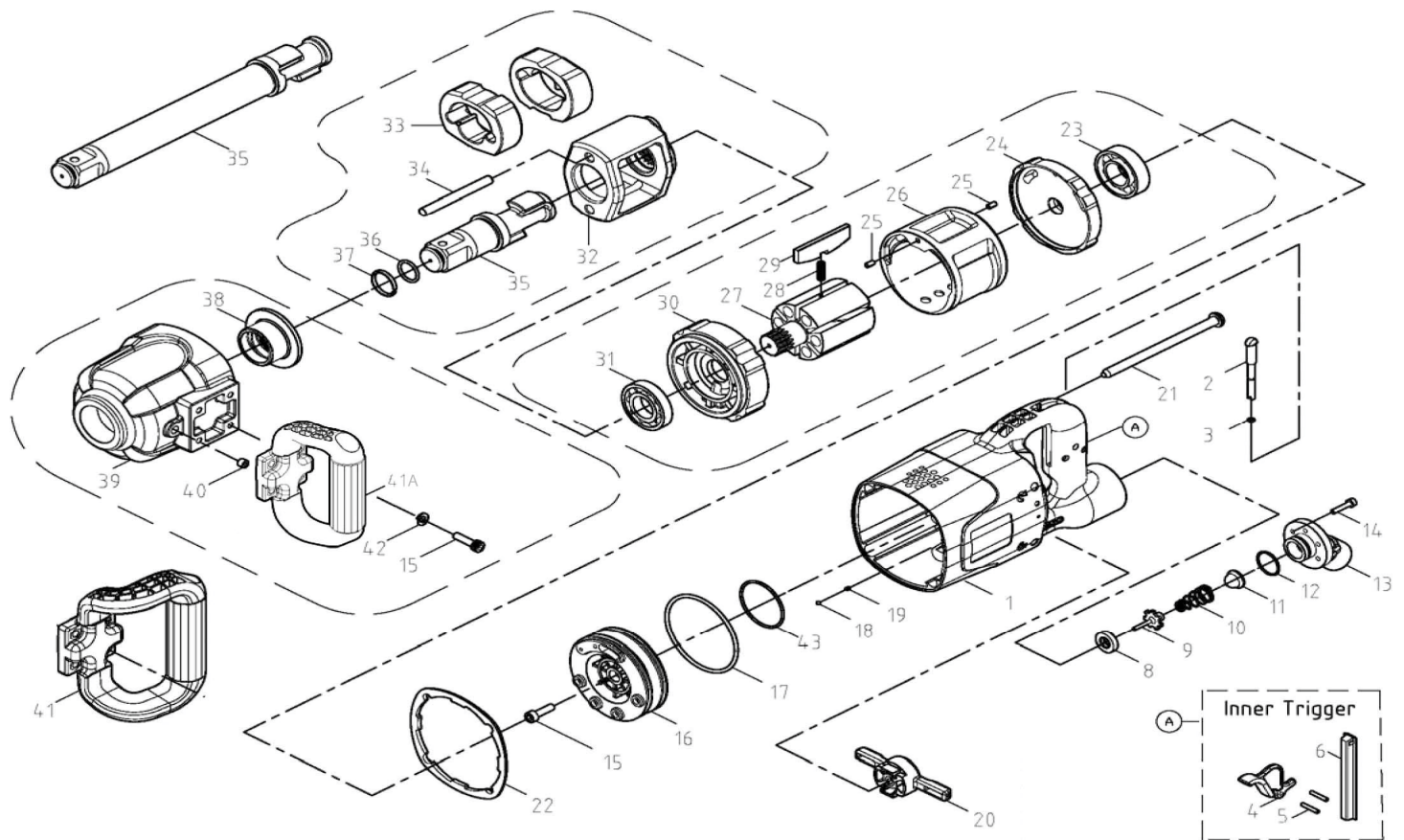


ST-IW1580, ST-IW1580-6, ST-IW1580-8

1" COMPOSITE IMPACT WRENCH (W/6"(8") EXT. ANVIL) (TWIN-HAMMER)



PARTS LIST

No.	Parts No.	Description	Q'ty
1	IW1580-01	Housing	1
2	IW1580-02	Pin Valve Rod	1
3	IW1580-03	O-Ring	1
4	IW1580-04	Trigger	1
5	IW1580-05	Spring Pin	2
6	IW1580-06	Rubber Protector	1
8	IW1580-08	Oil Seal	1
9	IW1580-09	Pin Valve Rod	1
10	IW1580-10	Cone Spring	1
11	IW1580-11	Filter	1
12	IW1580-12	O-Ring	1
13	IW1580-13	Air Inlet	1
14	IW1580-14	Screw	4
15	IW1580-15	Screw	5
16	IW1580-16	Reverse Lever	1
17	IW1580-17	O-Ring	1
18	IW1580-18	Steel Ball	1
19	IW1580-19	Spring	1
20	IW1580-20	Reverse Lever	1
21	IW1580-21	Screw	4
22	IW1580-22	Packing	1
23	IW1580-23	Ball Bearing	1
24	IW1580-24	Rear Plate	1

No.	Parts No.	Description	Q'ty
25	IW1580-25	Spring Pin	2
26	IW1580-26	Cylinder	1
27	IW1580-27	Rotor	1
28	IW1580-28	Spring	6
29	IW1580-29	Blade	6
30	IW1580-30	Front Plate	1
31	IW1580-31	Ball Bearing	1
32	IW1580-32	Hammer Cage	1
33	IW1580-33	Hammer	2
34	IW1580-34	Hammer Pin	2
35	IW1580-35A	1" Dr. Anvil	1
	IW1580-35B	1" Dr. Anvil 8" Ext.	1
	IW1580-35C	1" Dr. Anvil 6" Ext.	1
36	IW1580-36	O-Ring	1
37	IW1580-37	Anvil Collar	1
38	IW1580-38	Bushing	1
39	IW1580-39	Front Casing	1
40	IW1580-40	Pipe Plug	1
41	IW1580-41	Handle (Option)	1
41A	IW1580-41A	Handle	1
42	IW1580-42	Washer	4
43	IW1580-43	O-Ring	1