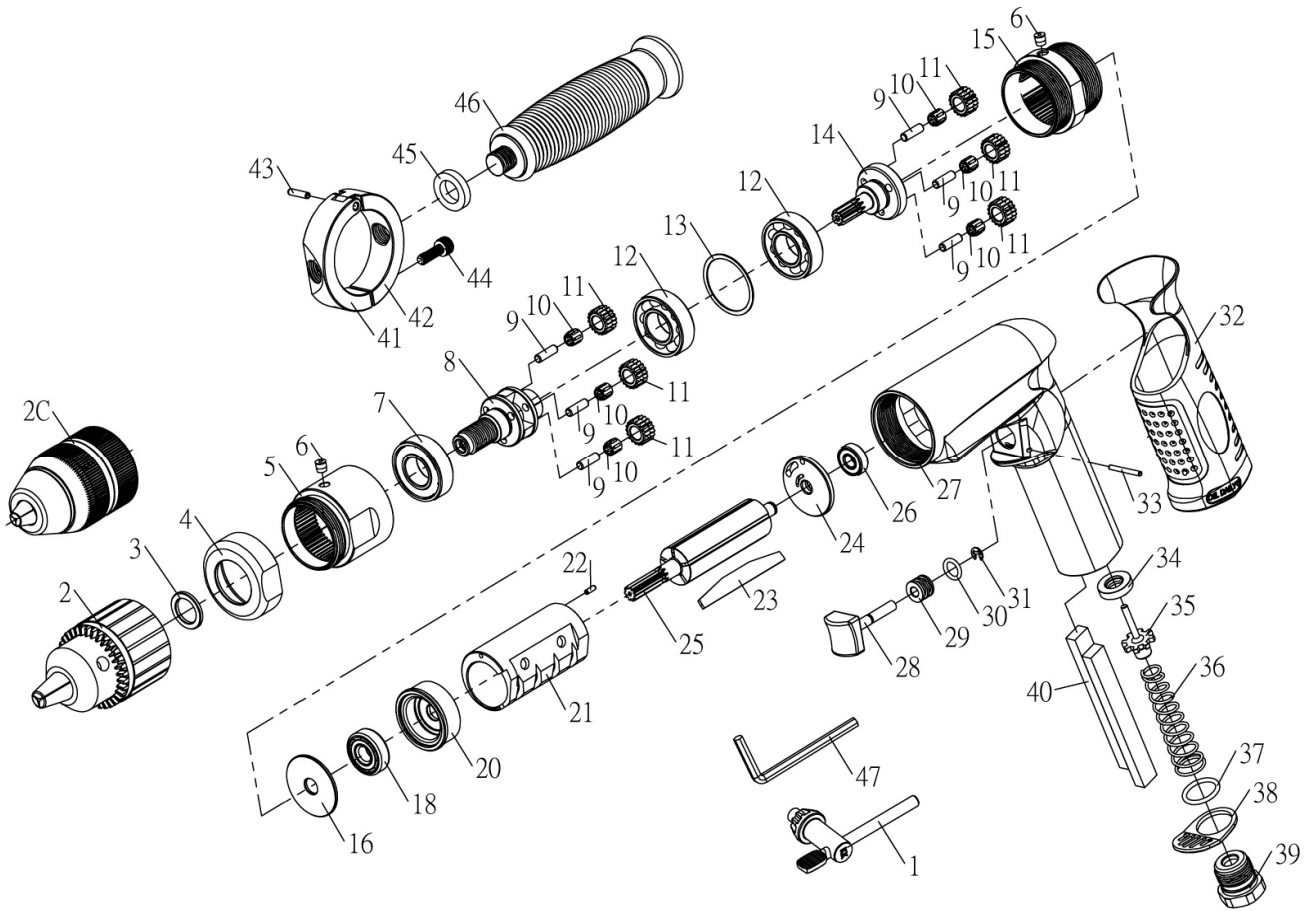


# ST-M5214F6

IND. 1/2" NON-REVERSIBLE AIR DRILL (1.0HP)

# ST-M5214FC6

IND. 1/2" NON-REVERSIBLE AIR DRILL (1.0HP) W/KEYLESS CHUCK



## PARTS LIST

No.	Parts No.	Description	Q'ty
1	M5214F-01	Key (KK-1/2")	1
2	M5214F-02	1/2" Drill Chuck [ST-M5214F6]	1
	M5214F-02C	1/2" Keyless Chuck [ST-M5214FC6]	1
3	M5214F-03	Washer	1
4	M5214F-04	Gear Case Cap	1
5	M5214F-05	Gear Case	1
6	M5214F-06	Grease Fitting	2
7	M5214F-07	Ball Bearing	1
8	M5214F-08	Gear Carrier	1
9	M5214F-09	Pin (Φ4x12.8)	6
10	M5214F-10	Needle Bearing (INA)	6
11	M5214F-11	Planet Gear	6
12	M5214F-12	Ball Bearing	2
13	M5214F-13	Washer	1
14	M5214F-14A	Cantilevered Gear Carrier [ST-M5214F6(FC6)]	1
15	M5214F-15	Double Reduction Gear Case	1
16	M5214F-16	Wear Plate	1
18	M5214F-18	Ball Bearing	1
20	M5214F-20	Rear End Plate	1
21	M5214F-21	Cylinder	1
22	M5214F-22	Spring Pin (Φ2x6)	1
23	M5214F-23	Rotor Blade	5
24	M5214F-24	Rear End Plate	1

No.	Parts No.	Description	Q'ty
25	M5214F-25A	Rotor [ST-M5214F6(FC6)]	1
26	M5214F-26	Ball Bearing	1
27	M5214F-27	Housing	1
28	M5214F-28	Trigger	1
29	M5214F-29	Trigger Sleeve	1
30	M5214F-30	O-Ring (ID7.65x1.78)	1
31	M5214F-31	Retaining Ring	1
32	M5214F-32	Housing Cover	1
33	M5214F-33	Spring Pin (Φ2x20)	1
34	M5214F-34	Washer	1
35	M5214F-35	Pin Valve Rod	1
36	M5214F-36	Trigger Spring	1
37	M5214F-37	O-Ring (ID15x2)	1
38	M5214F-38	Exhaust Cap	1
39	M5214F-39	Air Inlet	1
40	M5214F-40	Silencer Pad	2
41	M5214F-41	Clamp Ring A	1
42	M5214F-42	Clamp Ring B	1
43	M5214F-43	Spring Pin (Φ3x12)	1
44	M5214F-44	Head Cap Screw (M5x15)	1
45	M5214F-45	Rubber Gasket	1
46	M5214F-46	Head Handle	1
47	M5214F-47	Hex. Wrench	1