

StrongHandTools

RHINO CART
MOBILE FIXTURING STATION



Table + Fixture Kit

ALL-IN-ONE

Mobility & Storage

2018 CATALOG

CHARGE RIGHT THROUGH YOUR
MOST CHALLENGING PROJECTS!

RHINO CART®

MOBILE FIXTURING STATION



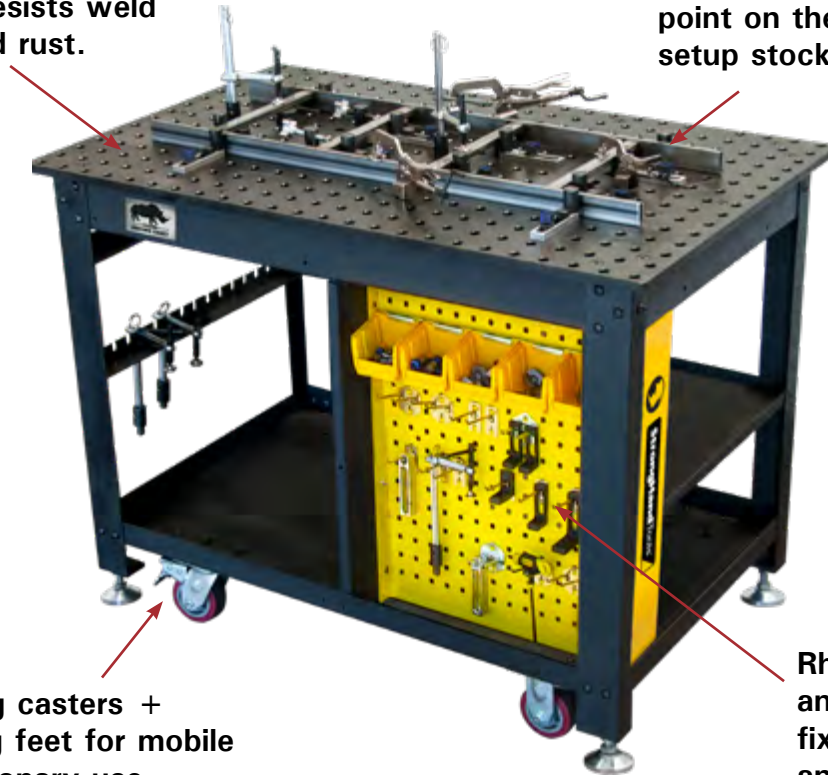
The Rhino Cart® Mobile Fixturing Station is a turnkey system for fixturing and clamping in welding and fabrication. Clamp and fixture at any point on the reversible, flat, nitrided (heat treated) 30" x 48" tabletop for accuracy in all of your setups.

Be ready to handle any job with the Rhino Cart® package, including: the Rhino Cart® Welding Table + 66 pc. Fixture Kit.

(Kit content may differ from image.)

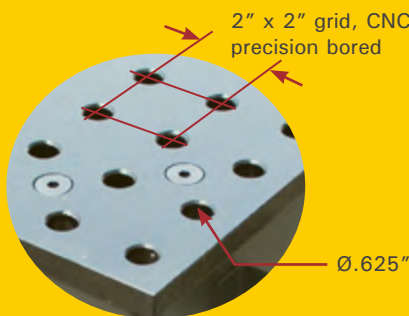
**Nitrided Reversible
Tabletop resists weld
spatter and rust.**

**Quickly clamp and fixture at any
point on the surface. Accurately
setup stock for each new project.**



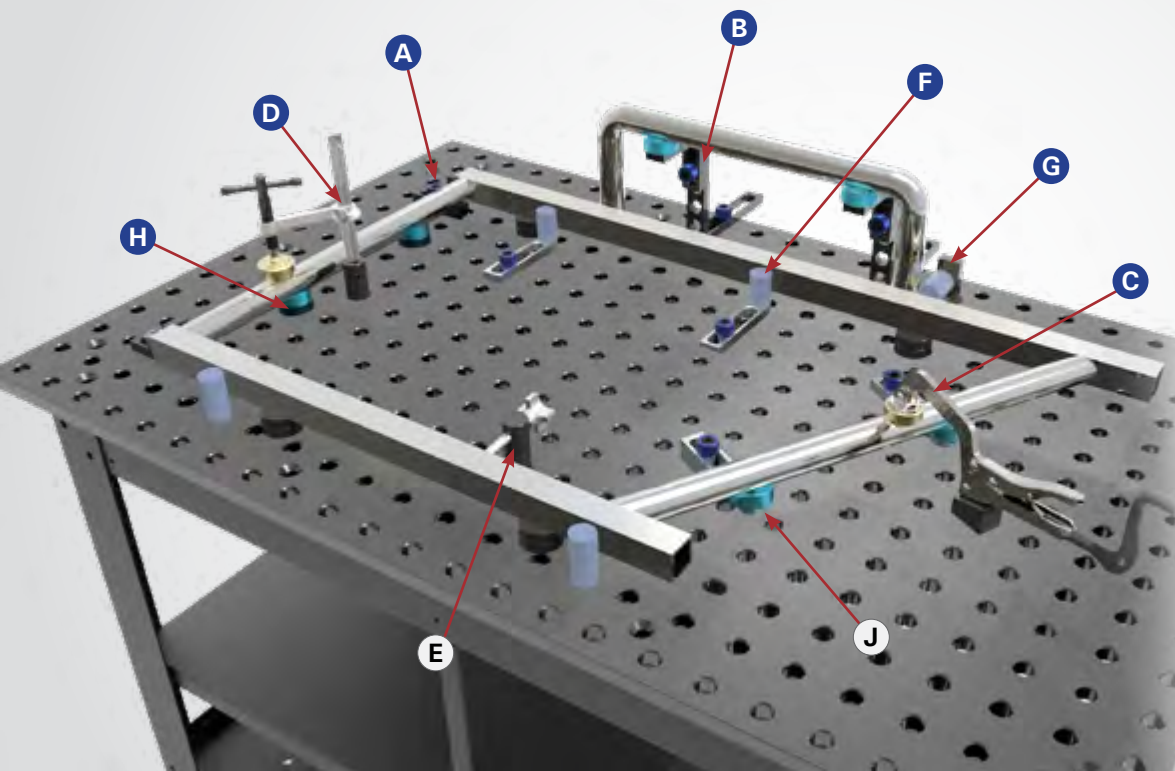
**Locking casters +
leveling feet for mobile
or stationary use.**

**Rhino shelves, racks,
and pegboard keep your
fixturing tools organized
and within easy reach!**

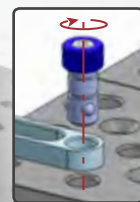


Accurately position parts in
CNC precision bored 0.625" dia.
holes in 2" x 2" spacing pattern.

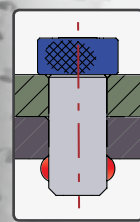
Rhino Package Part No.:	TDQ54830-K1
Package Includes:	Rhino Cart + 66 pc. Fixture Kit
Tabletop Size:	48" x 30"
Tabletop Thickness:	5/8"
Hole Diameter:	0.625"
Grid Pattern:	2" x 2"
Table Height:	36"
Static Loading Capacity:	1,500 lb
Package Gross Weight:	515 lb
Tabletop Life:	Nitrided and black oxide table plate is REVERSIBLE. Weld spatter, rust and scratch resistant.



***Ball Lock Bolts**
are **ESSENTIAL** to
Modular Fixturing!

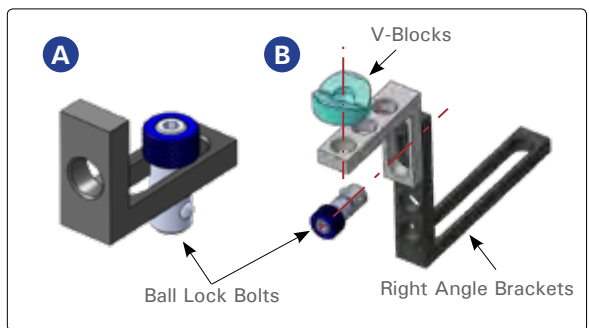


Finger tighten to pre-load, before tightening with hex key.



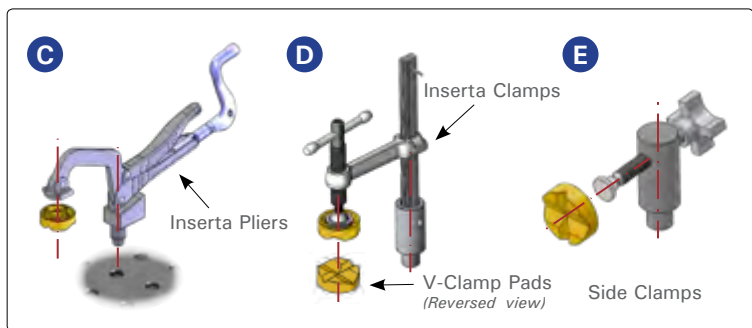
Three locking steel balls move outward to lock the bolt in position.

Stop / Locate / Elevate



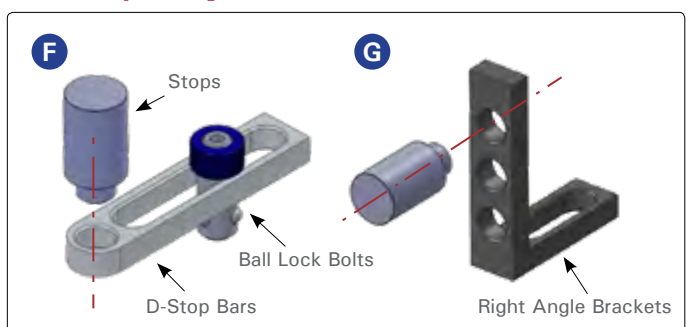
Stop and locate parts. Stack Right Angle Brackets to elevate and hold round parts.

Clamp



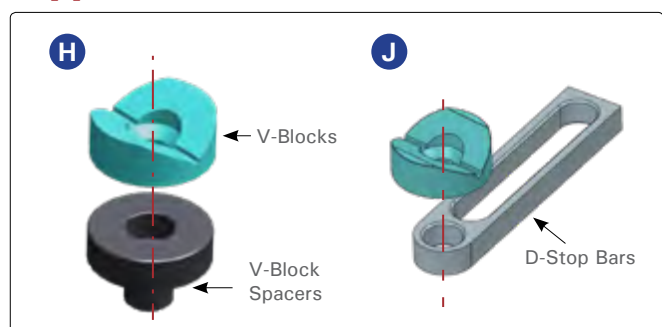
Quick hold-down clamping of flat, square, angled or round parts. Hold, stop, or locate parts using horizontal clamping force.

Locate / Stop



Stop, locate, and position parts.

Support Round Stock



Elevate and hold round parts.

The Rhino Cart[®] Package Part No. TDQ54830-K1 includes the mobile welding table + 66 pc. fixturing kit.



TDQ54830 x1

Welding Table, 48" x 30",
36" height, 5/8" thickness,
0.625" dia. hole, 2" x 2" grid pattern,
1,500 lb static loading capacity,
long life **REVERSIBLE** tabletop.

410 lb.



UD5150 x2

Clamp

Inserta Clamp, T-Handle
6.5" opening,
3.25" reach,
0.6" x 0.3" (D Rail)

1.2 lb.



PTT522K x2

Clamp

Inserta Pliers,
2.3" opening,
2" reach

0.7 lb.



PTT634K x2

Clamp

Inserta Pliers,
4" opening,
3" reach

0.9 lb.

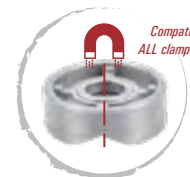


TCX5210 x2

Clamp

Side Clamp,
1.5" stroke

0.6 lb.



T54217 x2

Clamp

Magnetic V-Clamp Pad

0.05 lb.



T50632-01 x8

Stop / Extend

Aluminum D-Stop Bar,
4.8" x 1" x 0.47"

0.09 lb.



T54211 x4

Locate / Support

V-Block Spacer,
Ø1.58" x 0.47"

0.23 lb.



T50304 x2

Stop / Support

Right Angle Bracket,
2" x 3" x 1"

0.37 lb.

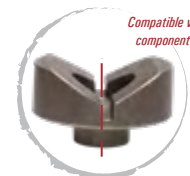


T50305 x2

Stop / Support

Right Angle Bracket,
4" x 3" x 1"

0.41 lb.



T54216 x8

Locate / Support

V-Block,
Ø1.6" x 0.9"

0.05 lb.



T55055 x10

Locate / Lock

Ball Lock Bolt, adjustable
range: 0.88" ~ 1.08",
connecting tables to
accessories, and accessories
to accessories.

0.14 lb.



T54201 x2

Locate / Lock

Locating Pin goes into
5/8" holes, 1.3"H,
no locking.

0.2 lb.



T54203 x4

Locate

Stop, Ø1" x 1.5"H

0.4 lb.

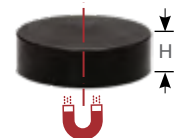


T54205 x4

Locate

Stop, Ø1" x 2"H

0.5 lb.



T50737 x12

Spacer

Magnetic Rest Button,
Ø1.5" x 0.45"H

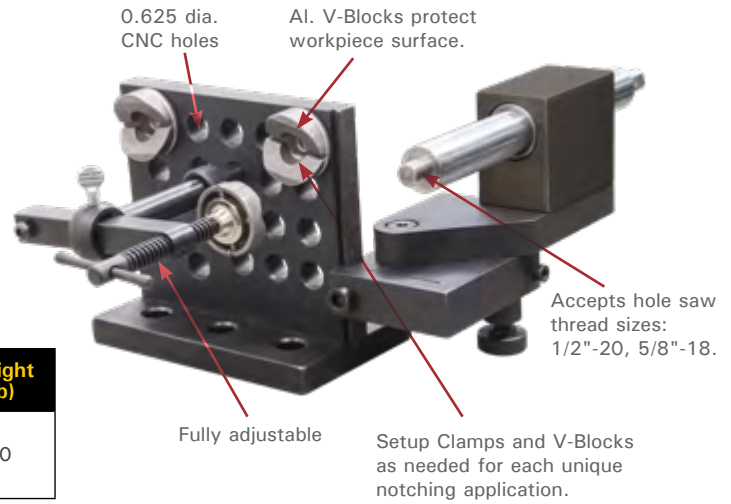
0.2 lb.



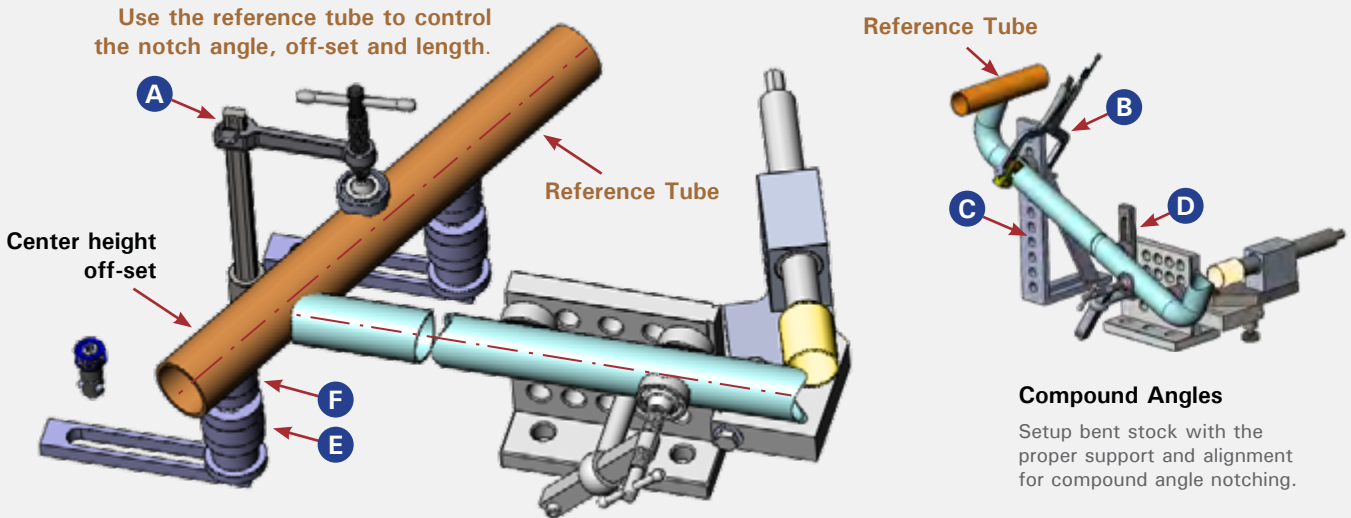
MODULAR BUILDPRO® TUBE & PIPE NOTCHER

Notch tubes and pipes at the accurate angle *and* length.

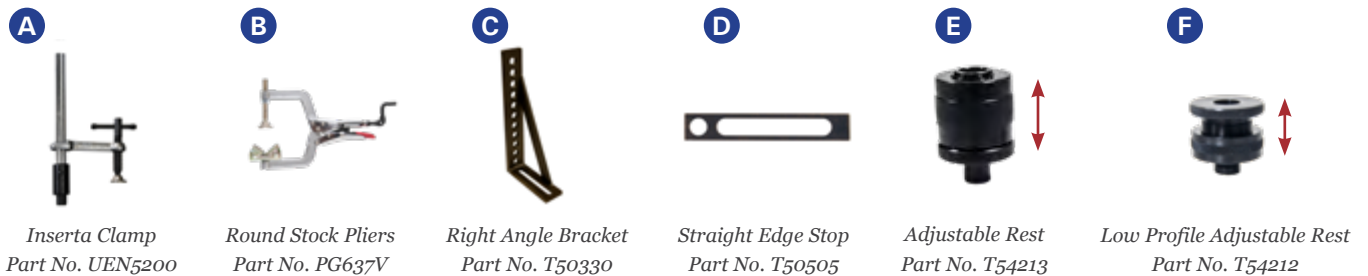
The 1st notch in a tube or pipe is easily completed with a drill press. The BuildPro® Tube & Pipe Notcher makes alignment, off-set and length control of the 2nd notch easy to complete accurately. Notch 1"– 2-1/2" OD pipes or square tubes at any angle, or off-set.



Part No.	Kit Includes	Weight (lb)
ATN100	1 pc. BuildPro® Tube & Pipe Notcher 2 pcs. Aluminum V-Blocks for tube locating 1 pc. Clamp with Magnetic V-Pad	20

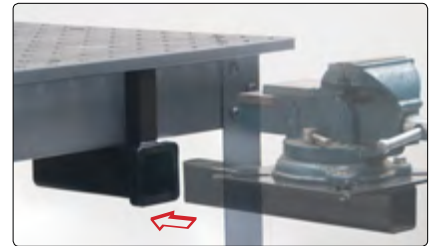
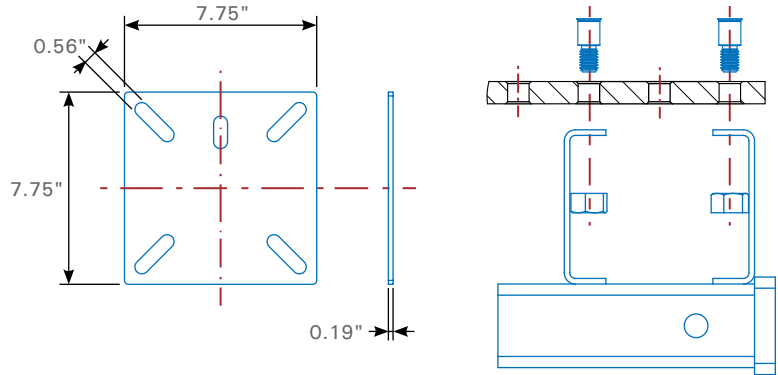
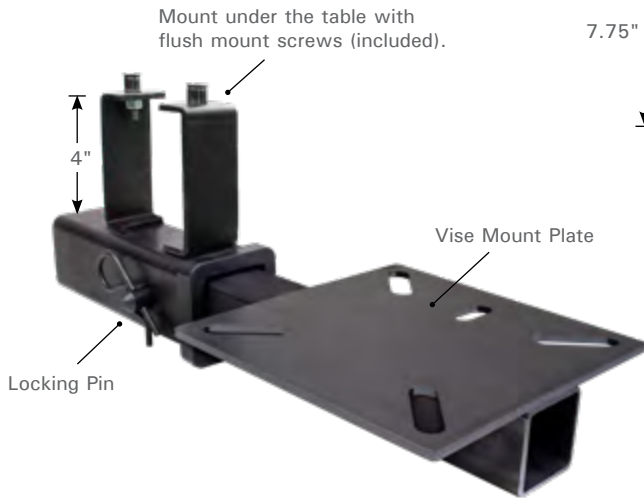


We recommend these optional BuildPro® Clamping Elements:



HITCH MOUNT VISE PLATE

Create a firm, stable platform to mount your Vise to the Rhino Cart® Table.



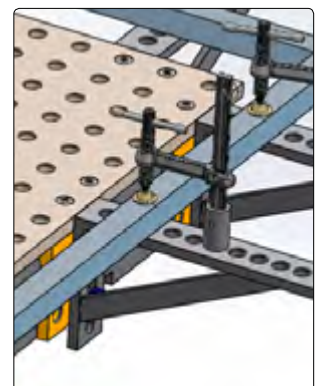
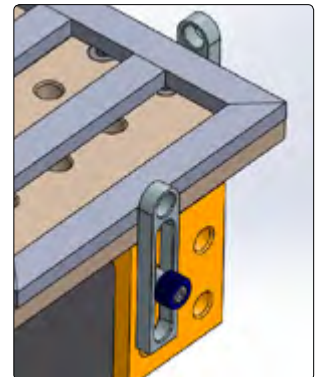
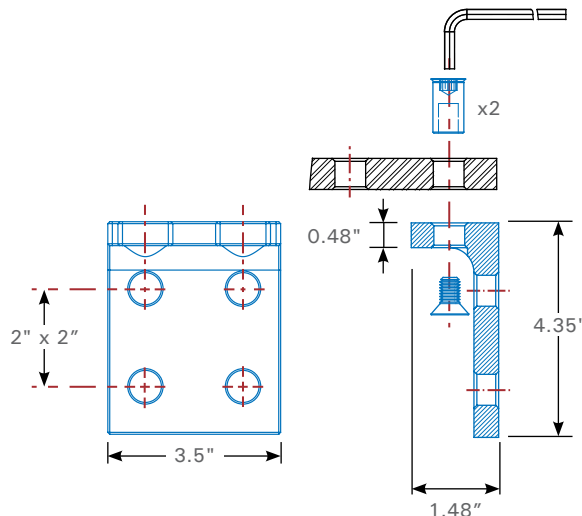
Part No.	Overall Length (in)	Travel (in)	Overall Height (in)	Weight (lb)
TXH8020	18 ~ 21	3	6-3/4	14

* Accommodates a three or four hole mounting base pattern. Holds max. 5" vise. (Vise not included.)

SIDE BRACKET

Locate or clamp your weldment at or beyond the table edge, by mounting the Side Bracket at the edge of your Rhino Cart® and BuildPro® Welding Table.

Use the Side Bracket to vertically mount clamping elements, such as the Straight Edge Stops or Right Angle Brackets for oversized weldments.



Part No.	Weight (lb)
T51825	2.5



The Rhino Cart[®] Tabletop is **COMPATIBLE** WITH all BuildPro[®] Clamps, Components, and Modular Fixturing Kits.

[The exceptions are: Sliding Channel Clamps and Sliding Channel Bases]

BUILDPRO[®]
Welding Tables

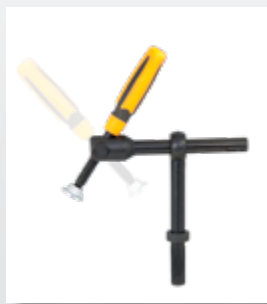


Increase your fixturing options and capabilities by using the **BUILDPRO[®] FIXTURING ELEMENTS.**

Product suggestions:



ROUND STOCK PLIERS



MULTI-DIRECTIONAL PIVOTING T-POST CLAMP



ECONO STOP & CLAMPING SQUARES



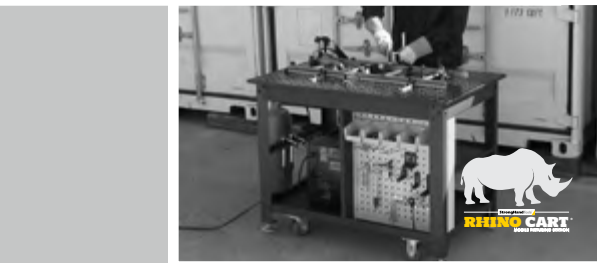
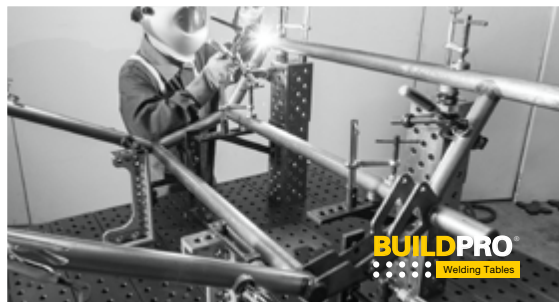
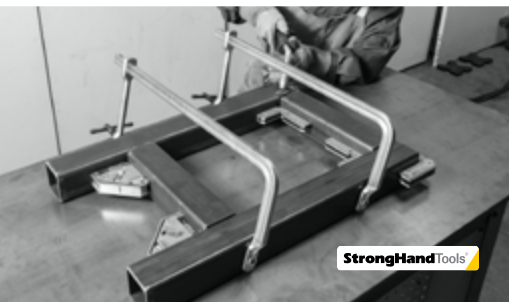
RIGHT ANGLE BRACKET

See the full selection of BuildPro[®] products at: www.StrongHandTools.com.



POSITION, CLAMP, and FIXTURE accurately for higher quality welding and fabrication.

Visit StrongHandTools.com for details on the full line of Strong Hand Tools® products:



Contact Us:

800.989.5244
www.stronghandtools.com
sales@stronghandtools.com
Santa Fe Springs, CA 90670 U.S.A.

© 2018-2019 Strong Hand Tools. All Rights Reserved.

