

# Liquid Crystal OPUS

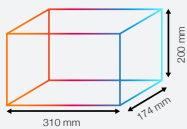


DATASHEET

## Overview

From the inventors of LCD 3D Printing, the Photocentric LC Opus delivers fast, highly accurate prints suitable for a huge variety of industries and applications. With its rugged construction, the LC Opus has been designed to provide reliable and repeatable performance. Equally at home in a dental laboratory or engineering workshop, its intuitive and simple operation makes it perfect for beginners and experienced users alike.

## Product Highlights



**Impressive build volume of 310 x 174 x 220mm (12.2 x 6.9 x 7.9")**



**XY resolution of 81µm provides scanned data accuracy of ≥95% at <100µm and ≥70% at <50 µm**



**Incredibly fast cure speed of 2 seconds per layer at 50µm layer thickness**



**A custom monochrome screen in a unique design supports consistent and reliable high performance**



**Photocentric's patented peel release technology 'Vat-Lift' ensures reliability over large surface area printing**



**Robust double-sealed vat construction with practical carry handles and pouring spout**

# Photocentric

UK Photocentric Ltd. Cambridge House, Oxney Rd, Peterborough, PE1 5YW email: [info@photocentric.co.uk](mailto:info@photocentric.co.uk)  
USA Photocentric Inc. 2205 West Parkside Lane, Phoenix, 85027, AZ email: [info@photocentricusa.com](mailto:info@photocentricusa.com)  
[www.photocentricgroup.com](http://www.photocentricgroup.com)





## Construction

Meticulous attention to detail has been taken with the component selection for the LC Opus. We work with carefully chosen suppliers and where required will specify components to meet our exacting requirements. Every element of the design and manufacture of the LC Opus is undertaken at our UK manufacturing facility.

## Highlights

- Even light distribution - we apply an incredibly tight tolerance to the LEDs we use. We select for both intensity and wavelength ensuring a repeatable, uniform cure.
- Ultra-quiet PWM fans provide quiet, efficient cooling for the high-powered LED array enabling LC Opus to run at high temperatures for sustained periods.
- Trinamic motor drivers enable smooth and quiet operation.
- Precision engineered mechanical components support reliable and consistent performance.
- Rugged aluminium construction, solvent resistant paint, and a robust, long-life vat.
- All PCBs are designed by Photocentric and manufactured in the UK.
- Tough annealed red plastic hood is resistant to cracking from chemical exposure.

## Operation

A simple 'plug and play' operation complemented with Photocentric's intuitive STUDIO software, means that LC Opus is suitable for both experienced and novice users.

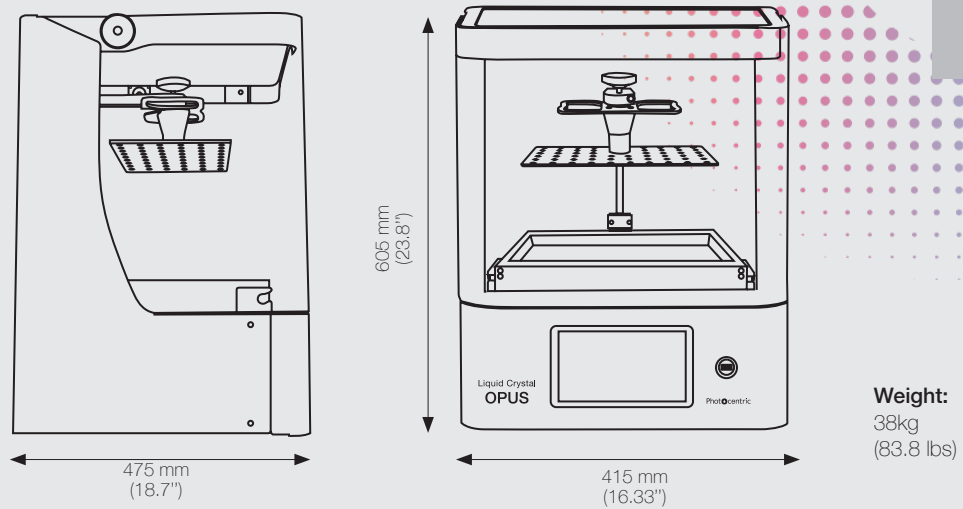
Calibrated in the factory, LC Opus is delivered ready to print straight out of the box. With simplified homing and an innovative new vat design which includes a self-cleaning mode, LC Opus is your trusted production partner.

## Highlights

- Interchangeable platforms without the need to re-calibrate.
- Highest quality purpose built screen.
- Large capacitive 7" touch screen.
- Robust double-sealed vat construction with practical carry handles and pouring spout.
- Intuitive STUDIO software supported with regular performance and service upgrades.
- Photocentric's patented peel release technology - 'Vat-Lift'.
- Fast - capable of printing 22 flat dental arches in 45 mins at 100µm.
- A modified screen eliminates UV degradation ensuring a long screen life.



## Product Dimensions



**Weight:**  
38kg  
(83.8 lbs)

## Full Technical Specifications

Performance	User Interface and Operation	Software
<ul style="list-style-type: none"> <li><b>Build volume:</b> 310 x 174 x 220mm (12.2 x 6.9 x 7.9").</li> <li><b>Print layer thickness:</b> 25, 50 and 100µm. Layer thickness of &gt;100µm is dependent upon resin properties.</li> <li>14" monochrome 4k LCD screen.</li> <li><b>Print Speed:</b> 18mm per hour.</li> <li><b>Cure Speed:</b> 2 seconds per layer at 50µm.</li> <li><b>Light Output intensity - LCD screen:</b> 5mW/cm<sup>2</sup></li> <li><b>Resolution:</b> XY resolution of 81µm provides scanned data accuracy of ≥95% at &lt;100µm and ≥70% at &lt;50 µm</li> <li>Photocentric's patented peel release technology - 'Vat-Lift'</li> <li><b>Light output wavelength:</b> 410nm</li> </ul>	<ul style="list-style-type: none"> <li>Calibrated in the factory enabling quick set-up and installation on site.</li> <li>Large capacitive touch 7-inch screen.</li> <li>Integrated Photocentric control system for optimum performance and in-field updates.</li> <li>New vat with self-cleaning software option.</li> <li>Easy clean platform and chassis featuring robust double-sealed vat construction with practical carry handles.</li> <li>Screen cartridge with a tight tolerance facilitating easy replacement and easy servicing.</li> <li>Interchangeable platform options without recalibration - easier to handle, wash, homing simplified.</li> </ul>	<p>Equipped with our free intuitive <b>Photocentric STUDIO</b> (software licence)</p>
<b>Connectivity</b>		
<ul style="list-style-type: none"> <li>Wi-Fi</li> <li>Ethernet</li> <li>USB 3.0 for fast file transfer</li> </ul>		
Construction		
<ul style="list-style-type: none"> <li>Rugged aluminium construction with solvent resistant paint.</li> <li>4k Monochrome 14" screen(3840 x 2160px with a pixel density of 314.7 PPI)</li> <li>Very flat, high tolerance glass.</li> <li>Platform print arm constructed from single billet of aerospace grade aluminium.</li> </ul>	<ul style="list-style-type: none"> <li>Tough annealed red plastic hood is resistant to cracking from chemical exposure.</li> <li>Precision engineered components including THK linear rails from Japan.</li> <li>Trinamic motor drivers deliver extremely quiet and robust performance.</li> </ul>	<ul style="list-style-type: none"> <li>Ultra-quiet PWM fans provide efficient cooling for high powered LEDs.</li> <li>Vibration damping rubber feet on base.</li> <li>Weight: 38kg (83.8 lbs)</li> </ul>
<b>Warranty</b>		
Warranty period of 12 months		