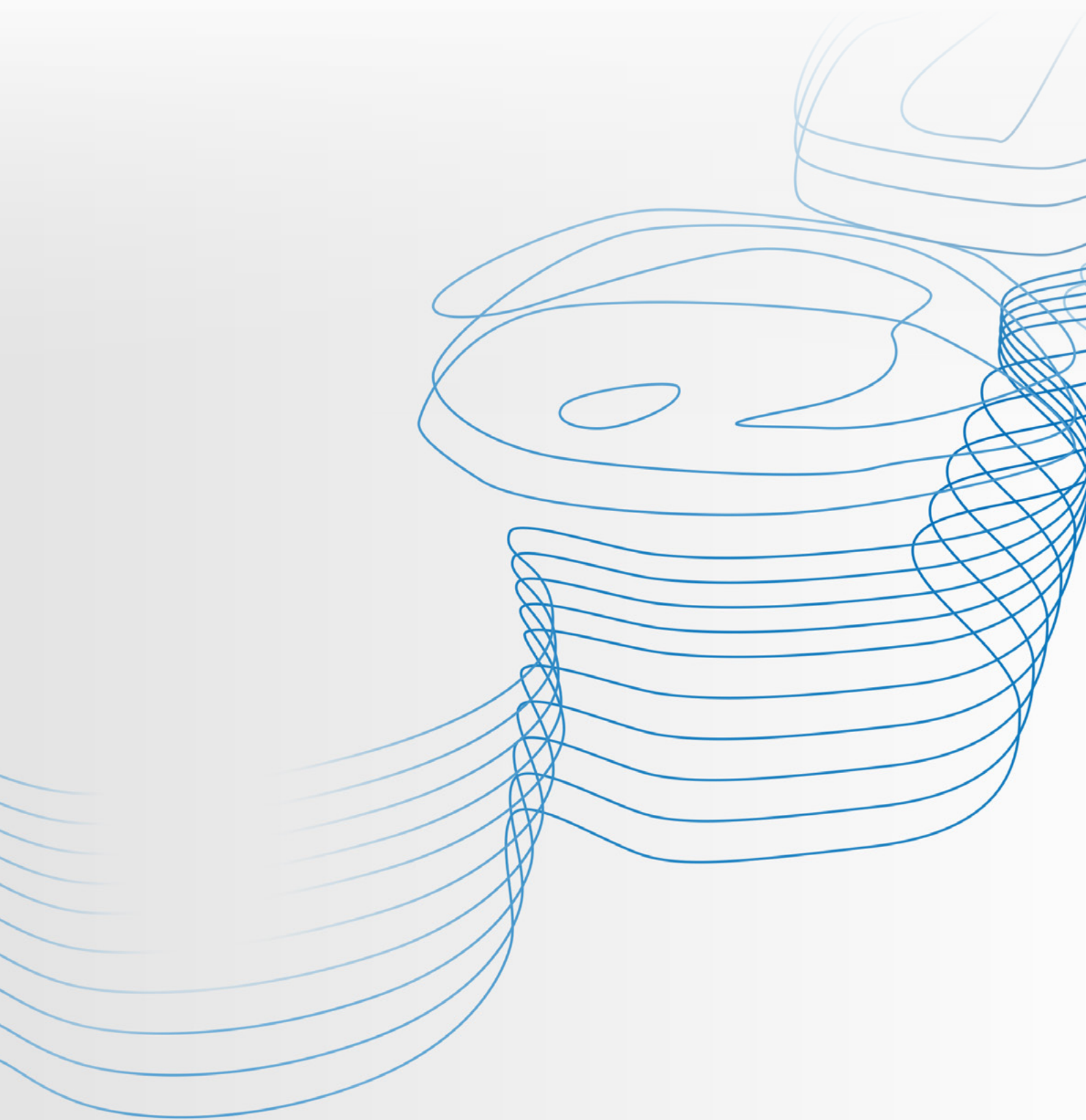


Product catalog

2023 • 2024

▶ **Elos Accurate**[®] Digital SMART Flow

An abstract graphic composed of multiple thin, blue, wavy lines that flow across the bottom half of the page. The lines are arranged in a way that suggests movement and depth, with some lines curving upwards and others downwards, creating a sense of a continuous, flowing path.



Elos Accurate®

IO
Scan Body

ScanBody22™

Print Model
Analog

Pre-Milled
Blank



| System code | Platform | IO Scan Body | | | | ScanBody22™ | | Print Model Analog | | Pre-Milled Blank | |
|------------------------------|---------------------------------|-------------------------|---------|-------------------|-------------|-------------------|----------------|--------------------|-------------|------------------|--|
| | | IO | SB | PMA | PMB | IO | SB | PMA | PMB | | |
| Implant System | | | | | | | | | | | |
| BIO-HORIZONS | BioHorizons Internal | BHI | 3.0 | IO 11A-A | | | PMA-BHI30-1 | | | | |
| | | | 3.5 | IO 11A-B | | | PMA-BHI35-1 | | | | |
| | | | 4.5 | IO 11A-C | | | PMA-BHI45-1 | | | | |
| | | | 5.7 | IO 11A-D | | | PMA-BHI57-1 | | | | |
| | BioHorizons Multi-Unit Abutment | BHM | 4.5 | IO 11B-A | | | PMA-BHM45-1 | | | | |
| CAMLOG | Camlog® | CAS | 3.3 | IO 9A-A | | | PMA-CAS33-1 | | | | |
| | | | 3.8 | IO 9A-B | | | PMA-CAS38-1 | | | | |
| | | | 4.3 | IO 9A-C | | | PMA-CAS43-1 | | | | |
| | | | 5 | IO9A-D | | | PMA-CAS50-1 | | | | |
| | | | 6 | IO9A-D | | | PMA-CAS60-1 | | | | |
| | Camlog® Bar Abutment | CBA | 3.3-4.3 | IO 9B-A | | | PMA-CBA43-1 | | | | |
| | Ankylos® | DAN | 3.5-7.0 | IO 8B-A | | SB-DAN35-1 | PMA-DAN35/70-1 | | | | |
| | Ankylos Balance Base Abutment | DBA | BB NP | IO 8C-A | | | PMA-DBA40-1 | | | | |
| DENTSPLY SIRONA | Astra Tech TX | ATO | 3.0 | IO 3A-A | | | PMA-ATO30-1 | | | | |
| | | | 3.5/4.0 | IO 3A-B | | | PMA-ATO35-1 | | PMB-ATO35-1 | | |
| | | | 4.5/5.0 | IO 3A-C | | | PMA-ATO45-1 | | PMB-ATO45-1 | | |
| | Astra Tech UniAbutment | ATU | 20° | IO 3D-B | | | PMA-ATU20-1 | | | | |
| | | | 45° | IO 3D-C | | | PMA-ATU45-1 | | | | |
| | Astra Tech EV | ATE | 3.0 | IO 3B-A | | SB-ATE30-1 | PMA-ATE30-1 | | | | |
| | | | 3.6 | IO 3B-B | | SB-ATE36-1 | PMA-ATE36-1 | | PMB-ATE36-1 | | |
| | | | 4.2 | IO 3B-C | | SB-ATE42-1 | PMA-ATE42-1 | | PMB-ATE42-1 | | |
| | | | 4.8 | IO 3B-D | | SB-ATE48-1 | PMA-ATE48-1 | | PMB-ATE48-1 | | |
| | | | 5.4 | IO 3B-E | | SB-ATE54-1 | PMA-ATE54-1 | | PMB-ATE54-1 | | |
| Astra Tech Profile EV | ATE-P | 4.2 | IO 3C-A | | | PMA-ATE42P-1 | | | | | |
| | | 4.8 | IO 3C-B | | | PMA-ATE48P-1 | | | | | |
| MultiBase EV | MUA | 4.5 | IO 2C-A | | SB-MUA45-1 | PMA-MUA45-1 | | | | | |
| Astra Tech UniAbutment EV | AUE | UA33° | IO 3D-A | | | PMA-AUE33-1 | | | | | |
| Xive® | DXI | 3.0 | IO 8A-A | | | PMA-DXI30-1 | | | | | |
| | | 3.4 | IO 8A-B | | | PMA-DXI34-1 | | | | | |
| | | 3.8 | IO 8A-C | | | PMA-DXI38-1 | | | | | |
| | | 4.5 | IO 8A-D | | | PMA-DXI45-1 | | | | | |
| | | 5.5 | IO 8A-D | | | PMA-DXI55-1 | | | | | |
| NEOSS | Neoss® Access Abutment | NAC | | IO 1B-A | | | PMA-NAC40-1 | | | | |
| | Neoss Implant System | NIS | 3.25 | IO 1A-B | | | PMA-NIS33-1 | | | | |
| | | | 3.5-5.5 | IO 1A-A | | | PMA-NIS35/55-1 | | | | |
| NOBEL BIOCARE | Brånemark System | BRA | NP | IO 6A-A | | SB-BRA35-1 | PMA-BRA35-1 | | PMB-BRA35-1 | | |
| | | | RP | IO 6A-B | | SB-BRA41-1 | PMA-BRA41-1 | | PMB-BRA41-1 | | |
| | | | WP | IO 6A-C | | SB-BRA51-1 | PMA-BRA51-1 | | PMB-BRA51-1 | | |
| | Conical Connexion | NBA | 3.0 | IO 2B-D SA | | SB-NBA30-Single-1 | PMA-NBA30-1 | | PMB-NBA30-1 | | |
| | | | NP | IO 2B-A SA | | SB-NBA35-Single-1 | PMA-NBA35-1 | PMB-NBA35-1 | | | |
| | | | | IO 2B-A | | SB-NBA35-Bridge-1 | | | | | |
| | | | RP | IO 2B-B SA | | SB-NBA43-Single-1 | PMA-NBA43-1 | PMB-NBA43-1 | | | |
| | | | | IO 2B-B | | SB-NBA43-Bridge-1 | | | | | |
| | WP | IO 2B-C SA | | SB-NBA60-Single-1 | PMA-NBA60-1 | PMB-NBA60-1 | | | | | |
| | | IO 2B-C | | SB-NBA60-Bridge-1 | | | | | | | |
| | Multi-Unit Abutment | MUA | NP/RP | IO 2C-A | | SB-MUA45-1 | PMA-MUA45-1 | | | | |
| | | | WP | IO 2C-B | | SB-MUA60-1 | PMA-MUA60-1 | | | | |
| Replace® | NBR | NP | IO 2A-A | | SB-NBR35-1 | PMA-NBR35-1 | | PMB-NBR35-1 | | | |
| | | RP | IO 2A-B | | SB-NBR43-1 | PMA-NBR43-1 | | PMB-NBR43-1 | | | |
| | | WP | IO 2A-C | | SB-NBR50-1 | PMA-NBR50-1 | | PMB-NBR50-1 | | | |
| | | 6.0 | IO 2A-D | | SB-NBR60-1 | PMA-NBR60-1 | | PMB-NBR60-1 | | | |
| Bone Level | SBO | NC | IO 4A-A | | | PMA-SBO33-1 | | PMB-SBO33-1 | | | |
| | | RC | IO 4A-B | | | PMA-SBO41-1 | | PMB-SBO41-1 | | | |
| | | 3.5 | IO 4D-A | | | PMA-SSA35-1 | | | | | |
| Screw-retained Abutment | SSA | 4.6 | IO 4D-B | | | PMA-SSA46-1 | | | | | |
| | | Standard | SSY | 3.5 NNC | IO 4C-A | | | | | | |
| RN | IO 4B-A | | | | | PMA-SSY48-1 | | | | | |
| WN | IO 4B-B | | | | | PMA-SSY65-1 | | | | | |
| Certain® Internal Connection | BCE | 3.4 | IO 7B-A | | | PMA-BCE34-1 | | | | | |
| | | 4.1 | IO 7B-B | | | PMA-BCE41-1 | | | | | |
| | | 5.0 | | | | PMA-BCE50-1 | | | | | |
| | | 6.0 | | | | PMA-BCE60-1 | | | | | |
| | | External Hex Connection | BEH | 3.4 | IO 7A-A | | | PMA-BEH34-1 | | | |
| 4.1 | IO 7A-B | | | | | PMA-BEH41-1 | | | | | |
| 5.0 | | | | | | PMA-BEH50-1 | | | | | |
| 6.0 | | | | | | PMA-BEH60-1 | | | | | |
| Tapered Screw-Vent® Implant | ZSV | 3.5 | IO 5A-A | | | PMA-ZSV35-1 | | | | | |
| | | 4.5 | IO 5A-B | | | PMA-ZSV45-1 | | | | | |
| | | 5.7 | IO 5A-C | | | PMA-ZSV57-1 | | | | | |

The driver (SBD-M-1) is backward compatible with all Elos Accurate scan bodies.

Elos Accurate[®] ScanBody22[™]

Your window to digital dentistry

Scan bodies together with the dental library play the leading role in obtaining consistently high precision results. With the new Elos Accurate[®] ScanBody22[™] you expand your business opportunities even further with seamless, digital dentistry.

ScanBody22 exhibits world-class accuracy due to the AccuScan[®] surface combined with full X-ray visibility. Designed for predictable results you can trust.

Advantages

- High precision (world-class)
- Full X-ray visibility
- Autoclavable 100 times
- 'Window' for optimal cleaning
- AccuScan[®] surface for high resolution scanning
- LOT number and UDI marking — for easy identification and regulatory traceability
- Compatibility with existing libraries (excluding Nobel CC)
- Embedded screw

AccuScan[®]

Ensures Xray visibility
Ultra-high scannability
Non-oxidizable surface
High accuracy unlike ZrN
Non-reflective surface



CE

Features

REUSABLE
100 times

ONE-TOOL-CONCEPT

One driver fits it all – this simplifies the working procedure.

LOT NUMBER / UDI MARKING

For easy identification and regulatory traceability

TITANIUM

Biocompatible Titanium grade 4



X-RAY VISIBILITY

Leads to a higher and more efficient patient flow and less chair time.

HIGH RESOLUTION SCANNING

Super tight scanning paving the way for the perfect result

ACCUSCAN®

A coating that gives world-class scan results and a super smooth surface.

WINDOW

For optimal cleaning* and decontamination.

EMBEDDED SCREW

Preventing the screw from loosening during use.



Available as a kit for Nobel Biocare platform



The driver (SBD-M-1) is backward compatible with all Elos Accurate scan bodies.

* Not for ultra-sonic cleaning

Table of content

7 ● BioHorizons



9 ● Camlog



11 ● Dentsply Sirona



22 ● Neoss



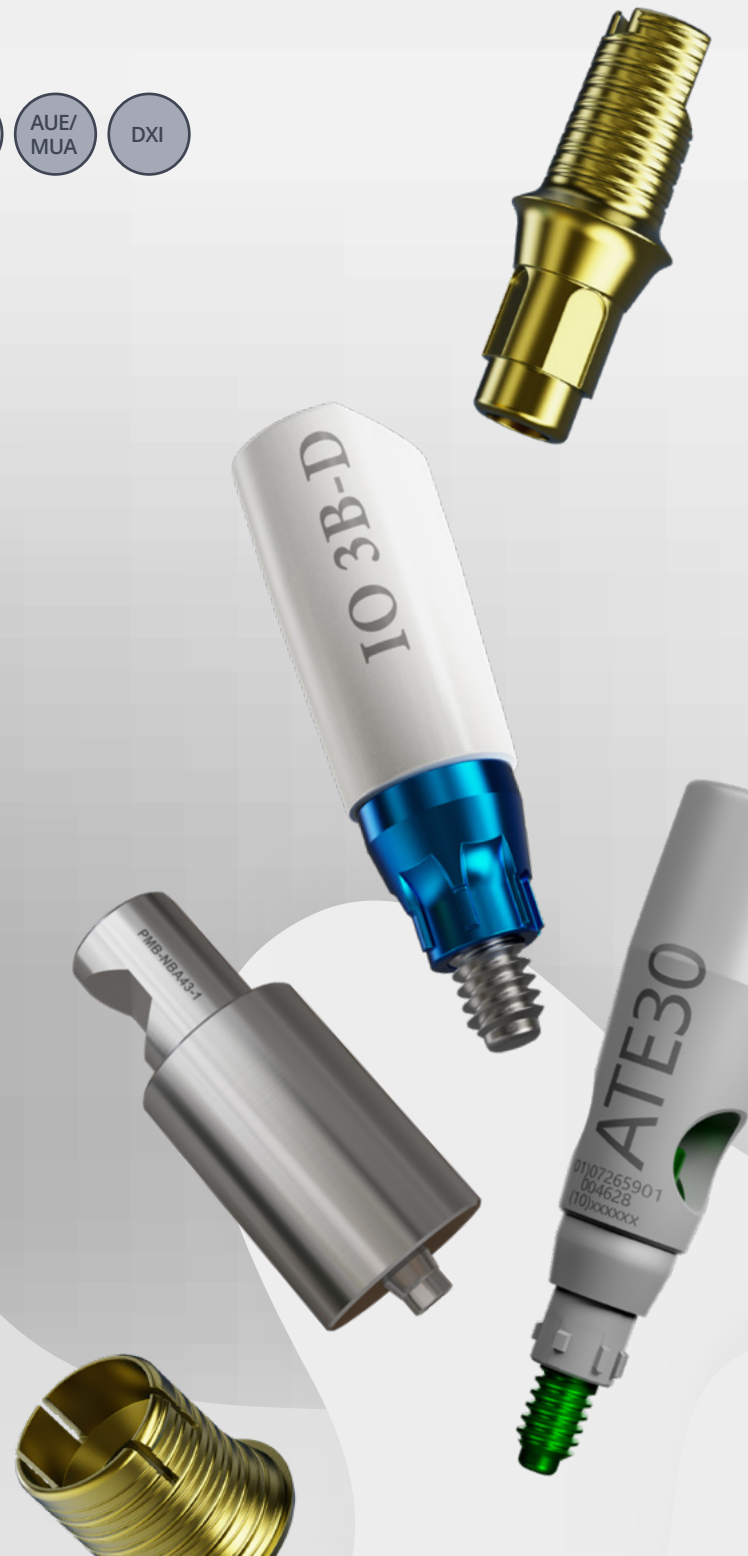
23 ● Nobel Biocare



33 ● Straumann



38 ● ZimVie



COMPATIBLE TO:

BioHorizons® Internal

BHI

3.0

3.5

4.5

5.7

Elos Accurate® Scan Body

Material: Titanium seating and PEEK in scanning area for optimal scanning results without spraying.

Screwdriver: C18512, C13485 or C13048. *See last pages.*

Torque Value: Hand-torque until stable. No more than 5 Ncm.



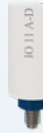
IO 11A-A



IO 11A-B



IO 11A-C



IO 11A-D

Elos Accurate® Analog for Printed Models

1-piece analog for printed model.

Analog tools: PMA-AIT-1, PMA-AIP-2 and PMA-AIS-5. *See last pages.*



PMA-BHI30-1



PMA-BHI35-1



PMA-BHI45-1



PMA-BHI57-1

COMPATIBLE TO:

BioHorizons Multi-Unit Abutment

BHM

4.5

Elos Accurate® Scan Body

Material: Titanium seating and PEEK in scanning area for optimal scanning results without spraying.

Screwdriver: C18512, C13485 or C13048. *See last pages.*

Torque Value: Hand-torque until stable. No more than 5 Ncm.

**IO 11B-A**

Elos Accurate® Analog for Printed Models

1-piece analog for printed model.

Analog tools: PMA-AIT-1, PMA-AIP-2 and PMA-AIS-5. *See last pages.*

**PMA-BHM45-1**

COMPATIBLE TO:

Camlog®

CAS

Elos Accurate® Scan Body

Material: Titanium seating and PEEK in scanning area for optimal scanning results without spraying.

Screwdriver: C18512, C13485 or C13048. *See last pages.*

Torque Value: Hand-torque until stable. No more than 5 Ncm.

3.3



IO 9A-A

3.8



IO 9A-B

4.3



IO 9A-C

5.0



IO 9A-D

Elos Accurate® Analog for Printed Models

1-piece analog for printed model.

Analog tools: PMA-AIT-1, PMA-AIP-2 and PMA-AIS-5. *See last pages.*



PMA-CAS33-1



PMA-CAS38-1



PMA-CAS43-1



PMA-CAS50-1

COMPATIBLE TO:

Camlog® Bar Abutment

CBA

3.3

Elos Accurate® Scan Body

Material: Titanium seating and PEEK in scanning area for optimal scanning results without spraying.

Screwdriver: C18512, C13485 or C13048. *See last pages.*

Torque Value: Hand-torque until stable. No more than 5 Ncm.



IO 9B-A

Elos Accurate® Analog for Printed Models

1-piece analog for printed model.

Analog tools: PMA-AIT-1, PMA-AIP-2 and PMA-AIS-5. *See last pages.*



PMA-CBA43-1

Elos Accurate® Hybrid Base™ Non-Engaging

Titanium Hybrid Base for screw-retained bridge restorations.



Torque Value: 15 Ncm



| | |
|-----------------|--------|
| Gingival height | 1.5 mm |
| Margin diameter | 5.0 mm |
| Chimney height | 4.1 mm |

HBN-CBA43-1

Elos Accurate® Hexalobular Prosthetic Screw

Prosthetic screw with M1.6 thread.

Screwdriver: PS-AH18-1, PS-AH26-1 or PS-AH34-1, *see last pages.*



Torque Value: 15 Ncm



AS-CBAM1604A-1



COMPATIBLE TO:

Ankylos®

DAN

Elos Accurate® ScanBody22™

Material: A one-piece full titanium scan body with AccuScan® surface and embedded screw.
X-ray visibility and up to 100 cleaning cycles.

Screwdriver: C18512, C13485, C13048 or SBD-M-1. *See last pages.*

Torque Value: Hand-torque until stable. No more than 5 Ncm.

No ultra
sonic
cleaning

3.5–7.0



SB-DAN35-1

Elos Accurate® Scan Body

Material: Titanium seating and PEEK in scanning area for optimal scanning results without spraying.

Screwdriver: C18512, C13485 or C13048. *See last pages.*

Torque Value: Hand-torque until stable. No more than 5 Ncm.

Previously marked with SA.



IO 8B-A

Elos Accurate® Analog for Printed Models

1-piece analog for printed model.

Analog tools: PMA-AIT-1, PMA-AIP-2 and PMA-AIS-5. *See last pages.*



PMA-DAN35/70-1

Elos Accurate[®] Pre-Milled Blank Solutions

Open validated workflow

Elos Accurate[®] Pre-Milled blanks, using validated workflows in compliance with FDA regulations, enable dental labs to produce customized titanium abutments in-house with complete control of quality and timing. The Pre-Milled blank features a highly precise and stable design, allowing labs to achieve greater consistency, ease and faster turnaround times while meeting regulatory requirements.

By leveraging our unique validated workflows, labs can achieve predictable outcomes.

Elos Accurate Pre-Milled blanks, are accompanied by compatible modules and holder, and they are available with major implant systems. The Elos Accurate Pre-Milled blank library is available in 3shape and exocad.

Elos Accurate[®] Pre-Milled Blank

Features

GUIDELOCK™

The next generation clamping system for maximum stability.

Ø12mm



Biocompatible
Titanium grade 5

MAXIMUM STABILITY DESIGN

The GuideLock™ self-positioning ensures a safe and vibration-free milling process.

LASER MARKING WITH LOT AND ITEM NUMBER

For easy identification before and after the in-house milling process, and for regulatory traceability.

MAXIMUM DESIGN FREEDOM

The minimal gingiva height and improved library geometry offer a high degree of design freedom.

SMOOTH TRANSITION ZONE

Significantly reduces manual reworking.

FULL COMPATIBILITY

The screw's precision seating corresponds to the original interface.

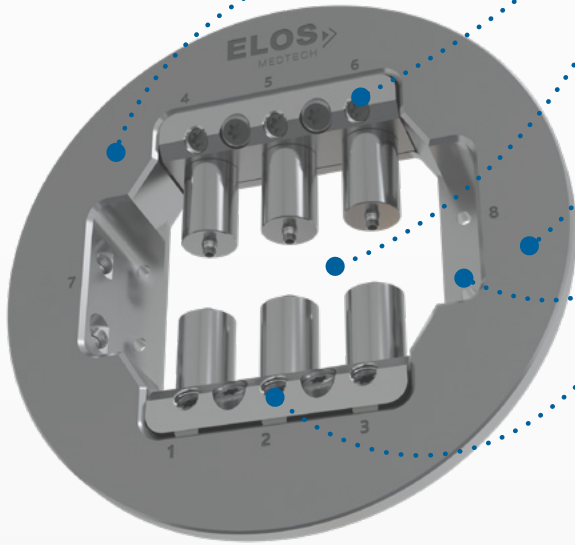


Compliant with FDA and MDR regulations

Elos Accurate® Pre-Milled Blank Holder

Application

- The Elos Pre-Milled holder is mandatory for attaching the Elos Accurate® Pre-Milled blanks and ensuring safe and vibration-free processing.
- It allows up to 6 different implant platforms in one operation.
- It features a high-quality stainless-steel design.



Features

MODULAR HOLDER CONSTRUCTION

Easy to assemble, easy to clean and easy to replace.

ONE-TOOL-CONCEPT

Simplifies assembly by using the same driver interface (TORX20).

LARGE PROCESSING AREA

More freedom of movement and easier assembly of Pre-Milled Blanks even with long tubular implant connections.

STABLE HOLDER DESIGN

20mm height instead of standard 16mm prevents deformation.

FUTURE-PROOFED AND CUSTOMIZABLE

Easy holder upgrade for additional material options or individual customization possible.

EMBEDDED SET-SCREWS

Prevent loosening of screws from module by vibration or assembly.

COMPATIBLE TO:

Ankylos® Balance Base Abutment

DBA

BB NP



IO 8C-A

Elos Accurate® Scan Body

Material: Titanium seating and PEEK in scanning area for optimal scanning results without spraying.

Screwdriver: C18512, C13485 or C13048. *See last pages.*

Torque Value: Hand-torque until stable. No more than 5 Ncm.

Elos Accurate® Analog for Printed Models

1-piece analog for printed model.

Analog tools: PMA-AIT-1, PMA-AIP-2 and PMA-AIS-5. *See last pages.*



PMA-DBA40-1

Elos Accurate® Hybrid Base™ Non-Engaging

Titanium Hybrid Base for screw-retained bridge restorations.



Torque Value: 10 Ncm



Gingival height 0.6 mm

Margin diameter 5.0 mm

Chimney height 4.1 mm

HBN-DBA40-1

Elos Accurate® Hybrid Base H™ Non-Engaging

Titanium Hybrid Base for screw-retained bridge restorations.



Torque Value: 10 Ncm



Gingival height 0.3 mm

Margin diameter 4.4 mm

Chimney height 4.5 mm

HBN-DBA40H-1

Elos Prosthetic Screw

Prosthetic screw with M1.6 thread.

Screwdriver: 1.0 mm Hex screwdriver



Torque Value: 10 Ncm



AS-DBAM1605POS

Elos Accurate® Hexalobular Prosthetic Screw

Prosthetic screw with M1.6 thread.

Screwdriver: PS-AH18-1, PS-AH26-1 or PS-AH34-1, *see last pages.*



Torque Value: 10 Ncm



AS-DBAM1605A-1



COMPATIBLE TO:

Astra Tech TX

ATO

Elos Accurate® Scan Body

Material: Titanium seating and PEEK in scanning area for optimal scanning results without spraying.

Screwdriver: C18512, C13485 or C13048. *See last pages.*

Torque Value: Hand-torque until stable. No more than 5 Ncm.

Previously marked with SA.

3.0



IO 3A-A

3.5 / 4.0



IO 3A-B

4.5 / 5.0



IO 3A-C

Elos Accurate® Analog for Printed Models

1-piece analog for printed model.

Analog tools: PMA-AIT-1, PMA-AIP-2 and PMA-AIS-5. *See last pages.*



PMA-ATO30-1



PMA-ATO35-1



PMA-ATO45-1

Elos Accurate® Hybrid Base™ Engaging

Titanium Hybrid Base for screw-retained single restorations and cement-retained single and bridge restorations.

Torque Value:

Ø3.0: 15 Ncm,
Ø3.5/4.0: 20 Ncm,
Ø4.5/5.0: 25 Ncm



HBE-ATO30-1



HBE-ATO35/40-1



HBE-ATO45/50-1

| | | | |
|-----------------|--------|--------|--------|
| Gingival height | 0.9 mm | 0.5 mm | 0.7 mm |
| Margin diameter | 3.4 mm | 3.7 mm | 4.5 mm |
| Chimney height | 3.0 mm | 3.0 mm | 3.0 mm |

Elos Accurate® Hybrid Base H™ Engaging

Titanium Hybrid Base for screw-retained single restorations and cement-retained single and bridge restorations.

Torque Value:

Ø3.0: 15 Ncm,
Ø3.5/4.0: 20 Ncm,
Ø4.5/5.0: 25 Ncm



HBE-ATO35/40H-1



HBE-ATO45/50H-1

| | | |
|-----------------|--------|--------|
| Gingival height | 0.7 mm | 0.9 mm |
| Margin diameter | 3.7 mm | 4.5 mm |
| Chimney height | 5.5 mm | 5.5 mm |

Elos Accurate® Pre-Milled Blank

Pre-Milled Blank in titanium grade 5 for custom abutment restoration. For use with the Elos Accurate Pre-Milled Blank Holder.

Torque Value:

Ø3.5: 20 Ncm,
Ø4.5: 25 Ncm



PMB-ATO35-1



PMB-ATO45-1

Elos Prosthetic Screw

Prosthetic screw with M1.4, M1.6 or M2 thread.

Screwdriver: 0.050" Hex screwdriver

Torque Value:

Ø3.0: 15 Ncm,
Ø3.5/4.0: 20 Ncm,
Ø4.5/5.0: 25 Ncm



AS-ATOM148POS



AS-ATOM168POS



AS-ATOM201POS

Elos Accurate® Hexalobular Prosthetic Screw

Prosthetic screw with M1.4, M1.6 or M2 thread.

Screwdriver: PS-AH18-1, PS-AH26-1 or PS-AH34-1, *see last pages.*

Torque Value:

Ø3.0: 15 Ncm,
Ø3.5/4.0: 20 Ncm,
Ø4.5/5.0: 25 Ncm



AS-ATOM1408A-1



AS-ATOM1608A-1



AS-ATOM2010A-1



Must be mounted with Elos Prosthetic Screw or Elos Accurate Hexalobular Prosthetic Screw. **SCREWS NOT INCLUDED**



Must be mounted with Elos Accurate Prosthetic Screw. **SCREWS INCLUDED**

COMPATIBLE TO:

Astra Tech UniAbutment

ATU

Elos Accurate® Scan Body

Material: Titanium seating and PEEK in scanning area for optimal scanning results without spraying.

Screwdriver: C18512, C13485 or C13048. *See last pages.*

Torque Value: Hand-torque until stable. No more than 5 Ncm.

20°



IO 3D-B

45°



IO 3D-C

Elos Accurate® Analog for Printed Models

1-piece analog for printed model.

Analog tools: PMA-AIT-1, PMA-AIP-2 and PMA-AIS-5. *See last pages.*



PMA-ATU20-1



PMA-ATU45-1

Elos Accurate® Hybrid Base™ Non-Engaging

Titanium Hybrid Base for screw-retained bridge restorations.



Torque Value: 15 Ncm



| | | |
|-----------------|--------|--------|
| Gingival height | 1.5 mm | 1.0 mm |
| Margin diameter | 5.0 mm | 5.0 mm |
| Chimney height | 4.1 mm | 4.1 mm |

HBN-ATU20-1

HBN-ATU45-1

Elos Accurate® Hybrid Base H™ Non-Engaging

Titanium Hybrid Base for screw-retained bridge restorations.



Torque Value: 15 Ncm



| | |
|-----------------|--------|
| Gingival height | 0.3 mm |
| Margin diameter | 4.0 mm |
| Chimney height | 4.5 mm |

HBN-ATU20H-1

Elos Accurate® Hexalobular Prosthetic Screw

Prosthetic screw with M1.4 thread.

Screwdriver: PS-AH18-1, PS-AH26-1 or PS-AH34-1, *see last pages.*



Torque Value: 15 Ncm



AS-ATUM1405A-1



AS-ATUM1405A-1



COMPATIBLE TO:

Astra Tech Implant System EV

ATE

Elos Accurate® Scan Body

Material: Titanium seating and PEEK in scanning area for optimal scanning results without spraying.

Screwdriver: C18512, C13485 or C13048. *See last pages.*

Torque Value: Hand-torque until stable. No more than 5 Ncm.

Previously marked with SA.

3.0



IO 3B-A

3.6



IO 3B-B

4.2



IO 3B-C

4.8



IO 3B-D

5.4



IO 3B-E

Elos Accurate® ScanBody22®

Material: A one-piece full titanium scan body with AccuScan® surface and embedded screw.

X-ray visibility and up to 100 cleaning cycles.

Screwdriver: C18512, C13485, C13048 or SBD-M-1. *See last pages.*

Torque Value: Hand-torque until stable. No more than 5 Ncm.



SB-ATE30-1



SB-ATE36-1



SB-ATE42-1



SB-ATE48-1



SB-ATE54-1

Elos Accurate® Analog for Printed Models

1-piece analog for printed model.

Analog tools: PMA-AIT-1, PMA-AIP-2 and PMA-AIS-5. *See last pages.*



PMA-ATE30-1



PMA-ATE36-1



PMA-ATE42-1



PMA-ATE48-1



PMA-ATE54-1

Elos Accurate® Hybrid Base™ Engaging

Titanium Hybrid Base for screw-retained single restorations and cement-retained single and bridge restorations.

Torque Value: 25 Ncm



HBE-ATE30-1



HBE-ATE36-1



HBE-ATE42-1



HBE-ATE48-1



HBE-ATE54-1

| | | | | | |
|-----------------|--------|--------|--------|--------|--------|
| Gingival height | 1.0 mm | 1.0 mm | 1.0 mm | 1.0 mm | 1.0 mm |
| Margin diameter | 3.7 mm | 3.7 mm | 4.5 mm | 4.5 mm | 5.0 mm |
| Chimney height | 3.0 mm | 3.0 mm | 3.0 mm | 3.0 mm | 3.0 mm |

Elos Accurate® Hybrid Base H™ Engaging

Titanium Hybrid Base for screw-retained single restorations and cement-retained single and bridge restorations.

Torque Value: 25 Ncm



HBE-ATE36H-1



HBE-ATE42H-1



HBE-ATE48H-1

| | | | |
|-----------------|--------|--------|--------|
| Gingival height | 1.0 mm | 1.0 mm | 1.0 mm |
| Margin diameter | 3.7 mm | 4.5 mm | 4.5 mm |
| Chimney height | 5.5 mm | 3.0 mm | 3.0 mm |

Elos Accurate® Pre-Milled Blank

Pre-Milled Blank in titanium grade 5 for custom abutment restoration. For use with the Elos Accurate Pre-Milled Blank Holder.

Torque Value: 25 Ncm



PMB-ATE36-1



PMB-ATE42-1



PMB-ATE48-1



PMB-ATE54-1



Must be mounted with Elos Prosthetic Screw or Elos Accurate Hexalobular Prosthetic Screw. **SCREWS NOT INCLUDED**



Must be mounted with Elos Accurate Prosthetic Screw. **SCREWS INCLUDED**

COMPATIBLE TO:

Astra Tech EV

ATE

3.0



3.6



4.2



4.8



5.4

**Elos Prosthetic Screw**

Prosthetic screw with M1.4, M1.6 and M1.8 thread.

Screwdriver: 0.050" Hex screwdriver**Torque Value:** 25 Ncm

AS-ATEM148POS

AS-ATEM168POS

AS-ATEM188POS

AS-ATEM208POS

AS-ATEM208POS

Elos Accurate® Hexalobular Prosthetic Screw

Prosthetic screw with M1.4, M1.6 and M1.8 thread.

Screwdriver: PS-AH18-1, PS-AH26-1 or PS-AH34-1, see last pages.**Torque Value:** 25 Ncm

AS-ATEM1408A-1

AS-ATEM1608A-1

AS-ATEM1808A-1

AS-ATEM2008A-1

AS-ATEM2008A-1

COMPATIBLE TO:

Astra Tech Profile EV

ATE-P

4.2

5.4

Elos Accurate® Scan Body

Material: Titanium seating and PEEK in scanning area for optimal scanning results without spraying.

Screwdriver: C18512, C13485 or C13048. *See last pages.*

Torque Value: Hand-torque until stable. No more than 5 Ncm.

Previously marked with SA.



IO 3C-A

IO 3C-B

Elos Accurate® Analog for Printed Models

1-piece analog for printed model.

Analog tools: PMA-AIT-1, PMA-AIP-2 and PMA-AIS-5. *See last pages.*



PMA-ATE42P-1

PMA-ATE48P-1

COMPATIBLE TO:

Astra Tech UniAbutment EV/Multibase EV

AUE

MUA

Elos Accurate® ScanBody22®

Material: A one-piece full titanium scan body with AccuScan® surface and embedded screw.
X-ray visibility and up to 100 cleaning cycles.

Screwdriver: C18512, C13485, C13048 or SBD-M-1. *See last pages.*

Torque Value: Hand-torque until stable. No more than 5 Ncm.

No ultra sonic cleaning

UA 33°



SB-MUA45-1

Elos Accurate® Scan Body

Material: Titanium seating and PEEK in scanning area for optimal scanning results without spraying.

Screwdriver: C18512, C13485 or C13048. *See last pages.*

Torque Value: Hand-torque until stable. No more than 5 Ncm.



IO 3D-A



IO 2C-A

Elos Accurate® Analog for Printed Models

1-piece analog for printed model.

Analog tools: PMA-AIT-1, PMA-AIP-2 and PMA-AIS-5. *See last pages.*



PMA-AUE33-1



PMA-MUA45-1

Elos Accurate® Hybrid Base™ Non-Engaging

Titanium Hybrid Base screw for screw-retained bridge restorations.

Torque Value: 15 Ncm



| | | |
|-----------------|--------|--------|
| Gingival height | 1.0 mm | 0.9 mm |
| Margin diameter | 5.0 mm | 5.0 mm |
| Chimney height | 4.1 mm | 4.1 mm |

HBN-AUE33-1

HBN-MUA45-1



Elos Accurate® Hybrid Base H™ Non-Engaging

Titanium Hybrid Base for screw-retained bridge restorations.

Torque Value: 15 Ncm



| | | |
|-----------------|--------|--------|
| Gingival height | 0.3 mm | 0.3 mm |
| Margin diameter | 4.1 mm | 5.0 mm |
| Chimney height | 4.5 mm | 4.5 mm |

HBN-AUE33H-1

HBN-MUA45-1



Elos Accurate® Hexalobular Prosthetic Screw

Prosthetic screw with M1.8 thread.

Screwdriver: PS-AH18-1, PS-AH26-1 or PS-AH34-1, *see last pages.*

Torque Value: 15 Ncm



AS-AUEM1805A-1



AS-MUAM1403POS

Elos Prosthetic Screw

Prosthetic screw with M1.6, M2 and M2.5 thread

Screwdriver: Nobel Biocare Unigrip

Torque Value: 35 Ncm



AS-MUAM1403POS



COMPATIBLE TO:

Xive®

DXI

Elos Accurate® Scan Body

Material: Titanium seating and PEEK in scanning area for optimal scanning results without spraying.

Screwdriver: C18512, C13485 or C13048. *See last pages.*

Torque Value: Hand-torque until stable. No more than 5 Ncm.

* IO 8A-A used to be purple.

| 3.0 | 3.4 | 3.8 | 4.5 | 5.5 |
|---|---|---|---|---|
|  |  |  |  |  |
| IO 8A-A* | IO 8A-B | IO 8A-C | IO 8A-D | IO 8A-D |
|  |  |  |  |  |
| PMA-DXI30-1 | PMA-DXI34-1 | PMA-DXI38-1 | PMA-DXI45-1 | PMA-DXI55-1 |

Elos Accurate® Analog for Printed Models

1-piece analog for printed model.

Analog tools: PMA-AIT-1, PMA-AIP-2 and PMA-AIS-5. *See last pages.*

COMPATIBLE TO:

Neoss®

NIS

NAC

Access Abutment



IO 1B-A

Implant System

3.25



IO 1A-B

3.5 - 5.5



IO 1A-A

Elos Accurate® Scan Body

Material: Titanium seating and PEEK in scanning area for optimal scanning results without spraying.

Screwdriver: C18512, C13485 or C13048. *See last pages.*

Torque Value: Hand-torque until stable. No more than 5 Ncm.

Elos Accurate® Analog for Printed Models

1-piece analog for printed model.

Analog tools: PMA-AIT-1, PMA-AIP-2 and PMA-AIS-5. *See last pages.*



PMA-NAC40-1



PMA-NIS33-1



PMA-NIS35/55-1

COMPATIBLE TO:

Brånemark System

BRA

Elos Accurate® ScanBody22™

Material: A one-piece full titanium scan body with AccuScan® surface and embedded screw.

X-ray visibility and up to 100 cleaning cycles.

Screwdriver: C18512, C13485, C13048 or SBD-M-1. *See last pages.*

Torque Value: Hand-torque until stable. No more than 5 Ncm.

No ultra sonic cleaning

NP



SB-BRA35-1

RP



SB-BRA41-1

WP



SB-BRA51-1

Elos Accurate® Scan Body

Material: Titanium seating and PEEK in scanning area for optimal scanning results without spraying.

Screwdriver: C18512, C13485 or C13048. *See last pages.*

Torque Value: Hand-torque until stable. No more than 5 Ncm.



IO 6A-A



IO 6A-B



IO 6A-C

Elos Accurate® Analog for Printed Models

1-piece analog for printed model.

Analog tools: PMA-AIT-1, PMA-AIP-2 and PMA-AIS-5. *See last pages.*



PMA-BRA35-1



PMA-BRA41-1



PMA-BRA51-1

Elos Accurate® Hybrid Base™ Engaging

Titanium Hybrid Base for screw-retained single restorations and cement-retained single and bridge restorations.

Torque Value: 35 Ncm



HBE-BRA35-1



HBE-BRA41-1



HBE-BRA51-1

| | | | |
|-----------------|--------|--------|--------|
| Gingival height | 0.9 mm | 0.9 mm | 0.7 mm |
| Margin diameter | 3.7 mm | 4.5 mm | 4.5 mm |
| Chimney height | 3.0 mm | 3.0 mm | 3.0 mm |

Elos Accurate® Hybrid Base H™ Engaging

Titanium Hybrid Base for screw-retained single restorations and cement-retained single and bridge restorations.

Torque Value: 35 Ncm



HBE-BRA41H-1

| | |
|-----------------|---------|
| Gingival height | 0.75 mm |
| Margin diameter | 4.5 mm |
| Chimney height | 5.5 mm |

Elos Accurate® Hybrid Base™ Non-Engaging

Titanium Hybrid Base screw for screw-retained bridge restorations.

Torque Value: 35 Ncm



HBN-BRA35-1



HBN-BRA41-1



HBN-BRA51-1

| | | | |
|-----------------|--------|--------|--------|
| Gingival height | 1.8 mm | 1.0 mm | 1.0 mm |
| Margin diameter | 5.0 mm | 5.0 mm | 5.7 mm |
| Chimney height | 4.1 mm | 4.1 mm | 4.1 mm |

Elos Accurate® Hybrid Base H™ Non-Engaging

Titanium Hybrid Base for screw-retained bridge restorations.

Torque Value: 35 Ncm



HBN-BRA41H-1

| | |
|-----------------|--------|
| Gingival height | 0.3 mm |
| Margin diameter | 4.4 mm |
| Chimney height | 4.5 mm |

Elos Accurate® Pre-Milled Blank

Pre-Milled Blank in titanium grade 5 for custom abutment restoration. For use with the Elos Accurate Pre-Milled Blank Holder.

Torque Value: 35 Ncm



PMB-BRA35-1



PMB-BRA41-1



PMB-BRA51-1



Must be mounted with Elos Prosthetic Screw or Elos Accurate Hexalobular Prosthetic Screw. **SCREWS NOT INCLUDED**



Must be mounted with Elos Accurate Prosthetic Screw. **SCREWS INCLUDED**

COMPATIBLE TO:

Brånemark System

BRA

NP

RP

WP

Elos Prosthetic Screw

Prosthetic screw with M1.6, M2 and M2.5 thread

Screwdriver: Nobel Biocare Unigrip**Torque Value:** 35 Ncm

AS-BRAM167POS



AS-BRAM207POS



AS-BRAM257POS

Elos Accurate® Hexalobular Prosthetic Screw

Prosthetic screw with M1.6, M2 and M2.5 thread

Screwdriver: PS-AH18-1, PS-AH26-1 or PS-AH34-1, see last pages.**Torque Value:** 35 Ncm

AS-BRAM1607A-1



AS-BRAM2007A-1



AS-BRAM2507A-1

COMPATIBLE TO:

Nobel Biocare® Multi-Unit Abutment

MUA

NR/RP

WP

Elos Accurate® ScanBody22™

Material: A one-piece full titanium scan body with AccuScan® surface and embedded screw.
X-ray visibility and up to 100 cleaning cycles.

No ultra sonic cleaning

Screwdriver: C18512, C13485, C13048 or SBD-M-1. *See last pages.*

Torque Value: Hand-torque until stable. No more than 5 Ncm.



SB-MUA45-1



SB-MUA60-1

Elos Accurate® Scan Body

Material: Titanium seating and PEEK in scanning area for optimal scanning results without spraying.

Screwdriver: C18512, C13485 or C13048. *See last pages.*

Torque Value: Hand-torque until stable. No more than 5 Ncm.



IO 2C-A



IO 2C-B

Elos Accurate® Analog for Printed Models

1-piece analog for printed model.

Analog tools: PMA-AIT-1, PMA-AIP-2 and PMA-AIS-5. *See last pages.*



PMA-MUA45-1



PMA-MUA60-1



HBN-MUA45-1



HBN-MUA60-1

Elos Accurate® Hybrid Base™ Non-Engaging

Titanium Hybrid Base for screw-retained bridge restorations.



Torque Value: 15 Ncm

| | | |
|-----------------|--------|--------|
| Gingival height | 0.9 mm | 1.2 mm |
| Margin diameter | 5.0 mm | 5.7 mm |
| Chimney height | 4.1 mm | 4.1 mm |



HBN-MUA45H-1

Elos Accurate® Hybrid Base H™ Non-Engaging

Titanium Hybrid Base for screw-retained bridge restorations.



Torque Value: 15 Ncm

| | |
|-----------------|--------|
| Gingival height | 0.3 mm |
| Margin diameter | 5.0 mm |
| Chimney height | 4.5 mm |

Elos Accurate® Hexalobular Prosthetic Screw

Prosthetic screw with M1.4 and M2 thread.

Screwdriver: Nobel Biocare® Unigrip



Torque Value: 15 Ncm



AS-MUAM1403POS



AS-MUAM1804POS

Elos Accurate® Hexalobular Prosthetic Screw

Prosthetic screw with M1.4 and M2 thread

Screwdriver: PS-AH18-1, PS-AH26-1 or PS-AH34-1, *see last pages.*



Torque Value: 15 Ncm



AS-MUAM1403A-1



AS-MUAM1804A-1

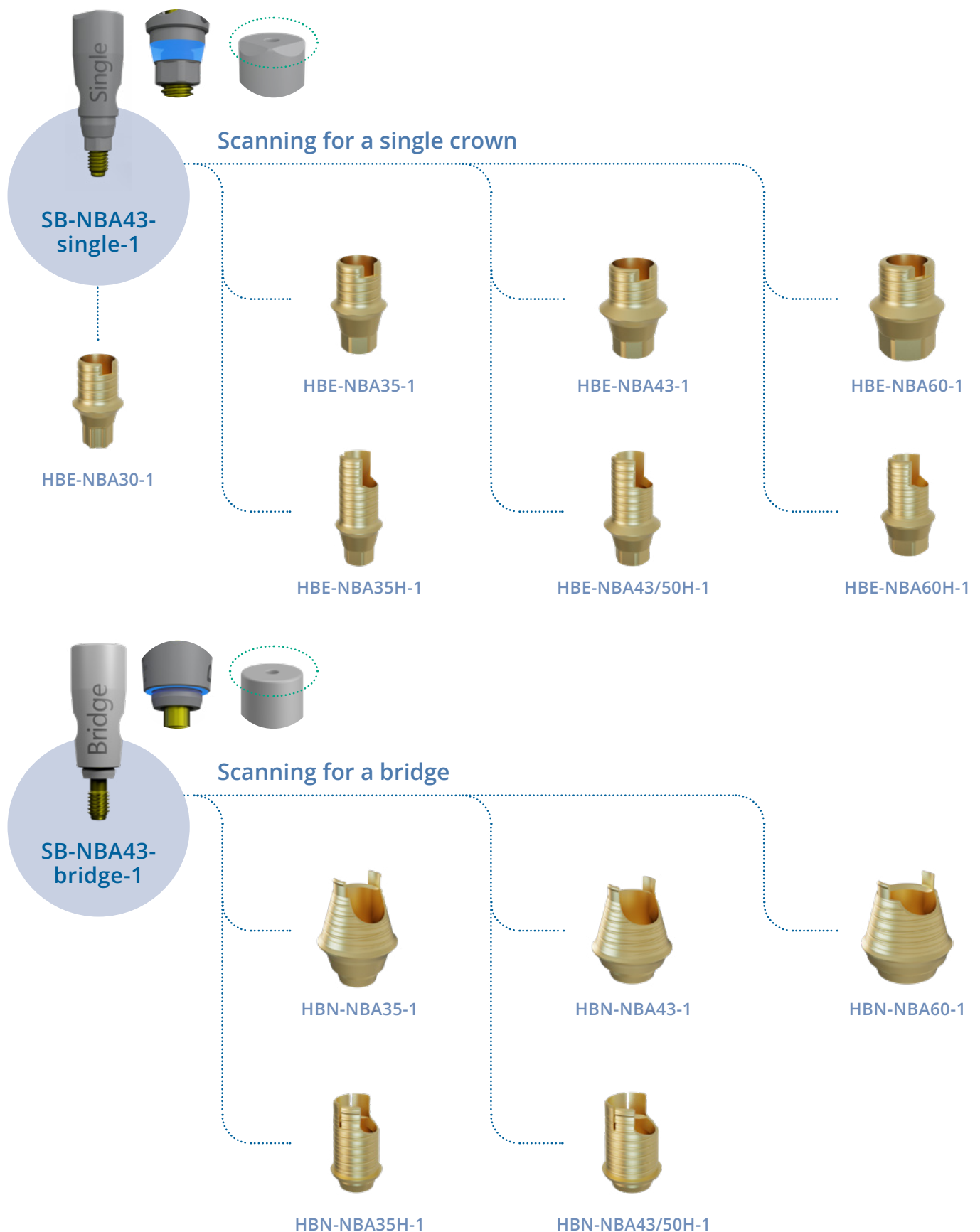


Must be mounted with Elos Prosthetic Screw or Elos Accurate Hexalobular Prosthetic Screw
SCREWS **NOT** INCLUDED

Nobel Conical Connection and NobelActive® Elos Accurate® Scan Body (PEEK)



Nobel Conical Connection and NobelActive® Elos Accurate® ScanBody22™



COMPATIBLE TO:

Nobel Conical Connection and NobelActive®

NBA

3.0

3.5/3.75 NP

4.3/5.0 RP

5.5 WP

Elos Accurate® ScanBody22™

Material: A one-piece full titanium scan body with AccuScan® surface and embedded screw.
X-ray visibility and up to 100 cleaning cycles.

No ultra
sonic
cleaning

Screwdriver: C18512, C13485, C13048 or SBD-M-1. *See last pages.*

Torque Value: Hand-torque until stable. No more than 5 Ncm.



SB-NBA30-SINGLE-1

SB-NBA35-BRIDGE-1
SB-NBA35-SINGLE-1SB-NBA43-BRIDGE-1
SB-NBA43-SINGLE-1SB-NBA60-BRIDGE-1
SB-NBA60-SINGLE-1

Elos Accurate® Scan Body

Material: Titanium seating and PEEK in scanning area for optimal scanning results without spraying.

Screwdriver: C18512, C13485 or C13048. *See last pages.*

Torque Value: Hand-torque until stable. No more than 5 Ncm.

IO 2B-D
IO 2B-D SAIO 2B-A
IO 2B-A SAIO 2B-B
IO 2B-B SAIO 2B-C
IO 2B-C SA

Elos Accurate® Analog for Printed Models

1-piece analog for printed model.

Analog tools: PMA-AIT-1, PMA-AIP-2 and PMA-AIS-5. *See last pages.*



PMA-NBA30-1



PMA-NBA35-1



PMA-NBA43-1



PMA-NBA60-1

Elos Accurate® Hybrid Base™ Engaging

Titanium Hybrid Base for screw-retained single restorations and cement-retained single and bridge restorations.

Torque Value:
Ø3.0: 15 Ncm,
NP, RP, WP: 35 Ncm



HBE-NBA30-1



HBE-NBA35-1



HBE-NBA43-1



HBE-NBA60-1

| | | | | |
|-----------------|--------|--------|--------|--------|
| Gingival height | 0.5 mm | 0.9 mm | 0.9 mm | 0.7 mm |
| Margin diameter | 3.4 mm | 3.7 mm | 4.5 mm | 4.5 mm |
| Chimney height | 3.0 mm | 3.0 mm | 3.0 mm | 3.0 mm |

Elos Accurate® Hybrid Base H™ Engaging

Titanium Hybrid Base for screw-retained single restorations and cement-retained single and bridge restorations.

Torque Value:
Ø3.0: 15 Ncm,
NP, RP, WP: 35 Ncm



HBE-NBA35H-1



HBE-NBA43/50H-1



HBE-NBA60H-1

| | | | |
|-----------------|--------|--------|--------|
| Gingival height | 0.9 mm | 0.9 mm | 0.7 mm |
| Margin diameter | 3.7 mm | 4.5 mm | 5.0 mm |
| Chimney height | 5.5 mm | 5.5 mm | 5.5 mm |

Elos Accurate® Hybrid Base™ Non-Engaging

Titanium Hybrid Base screw for screw-retained bridge restorations.

Torque Value: 35 Ncm



HBN-NBA35-1



HBN-NBA43/50-1



HBN-NBA60-1

| | | | |
|-----------------|--------|--------|--------|
| Gingival height | 1.8 mm | 1.0 mm | 1.0 mm |
| Margin diameter | 5.0 mm | 5.0 mm | 5.7 mm |
| Chimney height | 4.1 mm | 4.1 mm | 4.1 mm |

Elos Accurate® Hybrid Base H™ Non-Engaging

Titanium Hybrid Base screw for screw-retained bridge restorations.

Torque Value: 35 Ncm



HBN-NBA35H-1



HBN-NBA43/50H-1

| | | |
|-----------------|--------|--------|
| Gingival height | 0.3 mm | 0.3 mm |
| Margin diameter | 3.6 mm | 4.2 mm |
| Chimney height | 5.0 mm | 5.0 mm |



COMPATIBLE TO:

Nobel Conical Connection and NobelActive®

NBA

3.0

3.5/3.75 NP

4.3/5.0 RP

5.5 WP

Elos Prosthetic Screw

Prosthetic screw with M1.4, M1.6 and M2 thread

Screwdriver: Nobel Biocare Unigrip

Torque Value:

Ø3.0: 15 Ncm,
all other 35 Ncm



AS-NBAM1407POS



AS-NBAM168POS



AS-NBAM207POS



AS-NBAM207POS

Elos Accurate® Hexalobular Prosthetic Screw

Prosthetic screw with M1.4, M1.6 and M2 thread

Screwdriver: PS-AH18-1,
PS-AH26-1 or PS-AH34-1,
see last pages.

Torque Value:

Ø3.0: 15 Ncm,
all other 35 Ncm



AS-NBAM1407A-1



AS-NBAM1608A-1



AS-NBAM2007A-1



AS-NBAM2007A-1

Elos Accurate® Pre-Milled Blank

Pre-Milled Blank in titanium grade 5 for custom abutment restoration. For use with the Elos Accurate Pre-Milled Holder.

Torque Value:

Ø3.0: 15 Ncm,
NP, RP, WP: 35 Ncm



PMB-NBA30-1



PMB-NBA35-1



PMB-NBA43-1



PMB-NBA60-1

COMPATIBLE TO:

NobelReplace and Replace Select™

NBR

3.5 NP

4.3 RP

5.0 WP

6.0

Elos Accurate® ScanBody22™

Material: A one-piece full titanium scan body with AccuScan® surface and embedded screw.
X-ray visibility and up to 100 cleaning cycles.

No ultra
sonic
cleaning

Screwdriver: C18512, C13485, C13048 or SBD-M-1. *See last pages.*

Torque Value: Hand-torque until stable. No more than 5 Ncm.



SB-NBR35-1



SB-NBR43-1



SB-NBR50-1



SB-NBR60-1

Elos Accurate® Scan Body

Material: Titanium seating and PEEK in scanning area for optimal scanning results without spraying.

Screwdriver: C18512, C13485 or C13048. *See last pages.*

Torque Value: Hand-torque until stable. No more than 5 Ncm.



IO 2A-A



IO 2A-B



IO 2A-C



IO 2A-D

Elos Accurate® Analog for Printed Models

1-piece analog for printed model.

Analog tools: PMA-AIT-1, PMA-AIP-2 and PMA-AIS-5. *See last pages.*



PMA-NBR35-1



PMA-NBR43-1



PMA-NBR50-1



MA-NBR60-1

Elos Accurate® Hybrid Base™ Engaging

Titanium Hybrid Base for screw-retained single restorations and cement-retained single and bridge restorations.



| | | | | |
|-----------------|--------|--------|--------|--------|
| Gingival height | 0.5 mm | 0.1 mm | 0.2 mm | 0.4 mm |
| Margin diameter | 4.5 mm | 4.5 mm | 5.0 mm | 6.0 mm |
| Chimney height | 3.0 mm | 3.0 mm | 3.0 mm | 3.0 mm |

Torque Value: 35 Ncm

HBE-NBR35-1

HBE-NBR43-1

HBE-NBR50-1

HBE-NBR60-1

Elos Accurate® Hybrid Base H™ Engaging

Titanium Hybrid Base for screw-retained single restorations and cement-retained single and bridge restorations.



| | | |
|-----------------|--------|--------|
| Gingival height | 0.5 mm | 0.1 mm |
| Margin diameter | 4.5 mm | 4.5 mm |
| Chimney height | 5.5 mm | 5.5 mm |

Torque Value: 35 Ncm

HBE-NBR35H-1

HBE-NBR43H-1

Elos Accurate® Hybrid Base™ Non-Engaging

Titanium Hybrid Base for screw-retained bridge restorations.



| | | | | |
|-----------------|--------|--------|--------|--------|
| Gingival height | 1.0 mm | 0.6 mm | 0.6 mm | 0.8 mm |
| Margin diameter | 5.0 mm | 5.0 mm | 5.7 mm | 7.0 mm |
| Chimney height | 4.1 mm | 4.1 mm | 4.1 mm | 4.1 mm |

Torque Value: 35 Ncm

HBN-NBR35-1

HBN-NBR43-1

HBN-NBR50-1

HBN-NBR60-1

Elos Accurate® Hybrid Base H™ Non-Engaging

Titanium Hybrid Base for screw-retained bridge restorations.



| | | |
|-----------------|--------|--------|
| Gingival height | 0.3 mm | 0.3 mm |
| Margin diameter | 3.7 mm | 4.5 mm |
| Chimney height | 5.5 mm | 5.5 mm |

Torque Value: 35 Ncm

HBN-NBR35H-1

HBN-NBR43H-1

Elos Accurate® Pre-Milled Blank

Pre-Milled Blank in titanium grade 5 for custom abutment restoration. For use with the Elos Accurate Pre-Milled Blank Holder.



PMB-NBR35-1



PMB-NBR43-1



PMB-NBR50-1



PMB-NBR60-1



COMPATIBLE TO:

NobelReplace® and Replace Select™

NBR

3.5 NP

4.3 RP

5.0 WP

6.0

Elos Prosthetic Screw

Prosthetic screw with M1.8 and M2 thread

Screwdriver: Nobel Biocare® Unigrip**Torque Value:** 35 Ncm

AS-NBRM1808POS



AS-NBRM2010POS



AS-NBRM2010POS



AS-NBRM2010POS

Elos Accurate® Hexalobular Prosthetic Screw

Prosthetic screw with M1.8 and M2 thread

Screwdriver: PS-AH18-1, PS-AH26-1 or PS-AH34-1, *see last pages.***Torque Value:** 35 Ncm

AS-NBRM1808A-1



AS-NBRM2010A-1



AS-NBRM2010A-1



AS-NBRM2010A-1

For optimum scanning

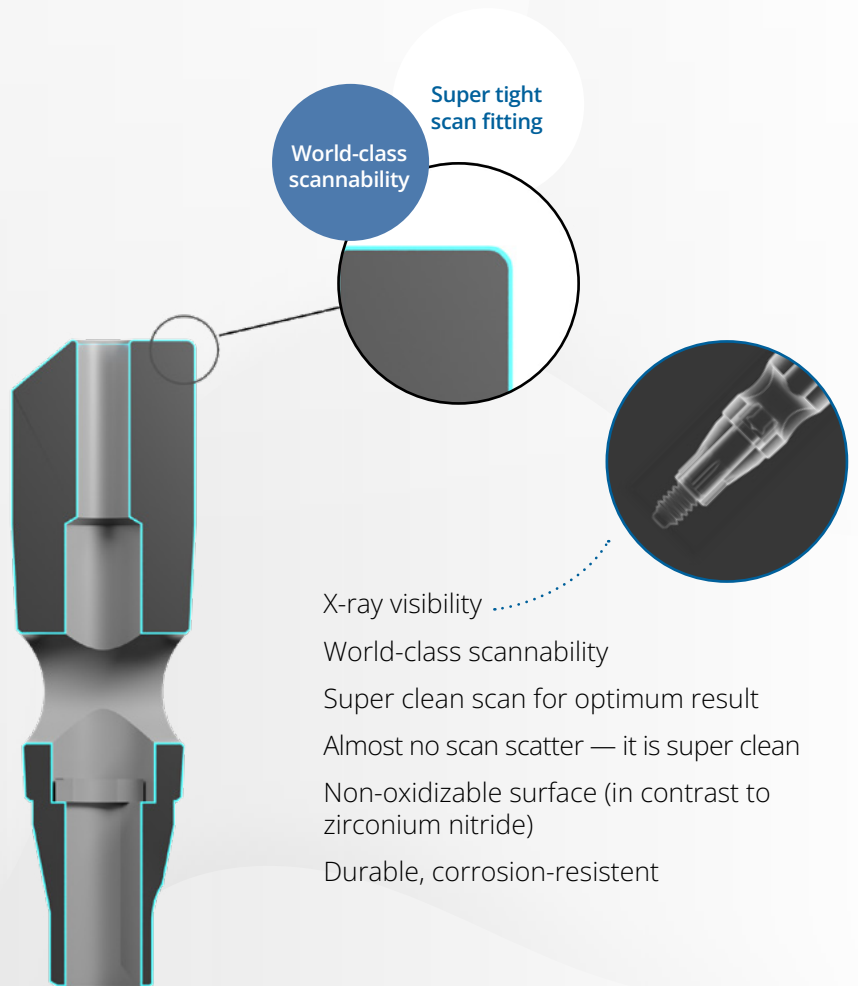
The patented AccuScan® surface is a precisely controlled layer of titanium dioxide (TiO₂) covering the ScanBody22. The AccuScan coating delivers significant advantages over PEEK products. The grey color from this AccuScan treatment gives a perfect surface for scanning, improves the accuracy of the scanning, and the result of the final restoration. Consistent, high precision results are ensured when the scan body is used in conjunction with the Elos dental library.

Features

- Super-clean scan
- Less scan scatter for optimum result
- Non-reflective surface
- World-class high precision
- Non-oxidizable
- Autoclavable 100 times
- Acid resistant

THE GREY SURFACE

- No reflection — is light and matte
- Perfect surface for scanning
- Improves the accuracy
- High-precision results
- Protective oxide layer on the metal



Super tight scan fitting

World-class scannability

X-ray visibility

World-class scannability

Super clean scan for optimum result

Almost no scan scatter — it is super clean

Non-oxidizable surface (in contrast to zirconium nitride)

Durable, corrosion-resistant

COMPATIBLE TO:

Straumann® Bone Level

SBO

3.3 NC

4.1 / 4.8 RC

Elos Accurate® Scan Body

Material: Titanium seating and PEEK in scanning area for optimal scanning results without spraying.

Screwdriver: C18512, C13485 or C13048. *See last pages.*

Torque Value: Hand-torque until stable. No more than 5 Ncm.

Previously marked with SA and RC, used to be green.



IO 4A-A



IO 4A-B

Elos Accurate® Analog for Printed Models

1-piece analog for printed model.

Analog tools: PMA-AIT-1, PMA-AIP-2 and PMA-AIS-5. *See last pages.*



PMA-SBO33-1



PMA-SBO41-1

Elos Accurate® Hybrid Base™ Engaging

Titanium Hybrid Base for screw-retained single restorations and cement-retained single and bridge restorations.



Torque Value: 35 Ncm

| | | |
|-----------------|--------|--------|
| Gingival height | 0.3 mm | 0.3 mm |
| Margin diameter | 3.5 mm | 4.1 mm |
| Chimney height | 3.0 mm | 3.0 mm |



HBE-SBO33-1



HBE-SBO41/48-1

Elos Accurate® Hybrid Base H™ Engaging

Titanium Hybrid Base for screw-retained single restorations and cement-retained single and bridge restorations.



Torque Value: 35 Ncm

| | | |
|-----------------|--------|--------|
| Gingival height | 0.3 mm | 0.3 mm |
| Margin diameter | 3.5 mm | 4.1 mm |
| Chimney height | 5.5 mm | 5.5 mm |



HBE-SBO33H-1



HBE-SBO41/48H-1

Elos Accurate® Hybrid Base™ Non-Engaging

Titanium Hybrid Base for screw-retained bridge restorations.



Torque Value: 35 Ncm

| | | |
|-----------------|--------|--------|
| Gingival height | 1.7 mm | 1.3 mm |
| Margin diameter | 5.0 mm | 5.0 mm |
| Chimney height | 4.1 mm | 4.1 mm |



HBN-SBO33-1



HBN-SBO41/48-1

Elos Accurate® Pre-Milled Blank

Pre-Milled Blank in titanium grade 5 for custom abutment restoration. For use with the Elos Accurate Pre-Milled Blank Holder.



Torque Value: 35 Ncm



PMB-SBO33-1



PMB-SBO41-1

Elos Prosthetic Screw

Prosthetic screw with M1.6 thread

Screwdriver: SCS screwdriver



Torque Value: 35 Ncm



AS-SBOM1608POS



AS-SBOM1608POS

Elos Accurate® Hexalobular Prosthetic Screw

Prosthetic screw with M1.6 thread

Screwdriver: PS-AH18-1, PS-AH26-1 or PS-AH34-1, *see last pages.*



Torque Value: 35 Ncm



AS-SBOM1608A-1



AS-SBOM1608A-1



Must be mounted with Elos Prosthetic Screw or Elos Accurate Hexalobular Prosthetic Screw
SCREWS NOT INCLUDED



Must be mounted with Elos Accurate Prosthetic Screw
SCREWS INCLUDED

COMPATIBLE TO:

Straumann® Screw-Retained Abutment

SSA

3.5

4.6

Elos Accurate® Scan Body

Material: Titanium seating and PEEK in scanning area for optimal scanning results without spraying.

Screwdriver: C18512, C13485 or C13048. *See last pages.*

Torque Value: Hand-torque until stable. No more than 5 Ncm.



IO 4D-A



IO 4D-B

Elos Accurate® Analog for Printed Models

1-piece analog for printed model.

Analog tools: PMA-AIT-1, PMA-AIP-2 and PMA-AIS-5. *See last pages.*



PMA-SSA35-1



PMA-SSA46-1

Elos Accurate® Hybrid Base™ Non-Engaging

Titanium Hybrid Base for screw-retained bridge restorations.

Torque Value: 15 Ncm



| | | |
|-----------------|--------|--------|
| Gingival height | 1.0 mm | 0.9 mm |
| Margin diameter | 5.0 mm | 5.0 mm |
| Chimney height | 4.1 mm | 4.1 mm |

HBN-SSA35-1

HBN-SSA46-1

Elos Accurate® Hybrid Base H™ Non-Engaging

Titanium Hybrid Base for screw-retained bridge restorations.

Torque Value: 35 Ncm



| | | |
|-----------------|--------|--------|
| Gingival height | 4.1 mm | 4.1 mm |
| Margin diameter | 3.8 mm | 4.8 mm |
| Chimney height | 4.5 mm | 4.5 mm |

HBN-SSA35H-1

HBN-SSA46H-1

Elos Accurate® Hexalobular Prosthetic Screw

Prosthetic screw with M1.4 thread

Screwdriver: PS-AH18-1, PS-AH26-1 or PS-AH34-1, *see last pages.*

Torque Value: 15 Ncm



AS-SSAM1404A-1

AS-SSAM1404A-1



COMPATIBLE TO:

Straumann® Standard and Standard Plus

SSY

NNC

4.8 RN

6.5 WN

Elos Accurate® Scan Body

Material: Titanium seating and PEEK in scanning area for optimal scanning results without spraying.

Screwdriver: C18512, C13485 or C13048. *See last pages.*

Torque Value: Hand-torque until stable. No more than 5 Ncm.



IO 4C-A



IO 4B-A



IO 4B-B

Elos Accurate® Analog for Printed Models

1-piece analog for printed model.

Analog tools: PMA-AIT-1, PMA-AIP-2 and PMA-AIS-5. *See last pages.*



PMA-SSY48-1



PMA-SSY65-1

Elos Accurate® Hybrid Base™ Engaging

Titanium Hybrid Base for screw-retained single restorations and cement-retained single and bridge restorations.

Torque Value: 35 Ncm



HBE-SSY48-1



HBE-SSY65-1

| | | |
|-----------------|--------|--------|
| Gingival height | 0.4 mm | 0.5 mm |
| Margin diameter | 4.5 mm | 7.0 mm |
| Chimney height | 3.0 mm | 3.0 mm |

Elos Accurate® Hybrid Base H™ Engaging

Titanium Hybrid Base for screw-retained single restorations and cement-retained single and bridge restorations.

Torque Value: 35 Ncm



HBE-SSY48H-1



HBE-SSY65H-1

| | | |
|-----------------|---------|---------|
| Gingival height | 0.45 mm | 0.45 mm |
| Margin diameter | 5.0 mm | 7.0 mm |
| Chimney height | 4.5 mm | 4.5 mm |

Elos Accurate® Hybrid Base™ Non-Engaging

Titanium Hybrid Base for screw-retained bridge restorations.

Torque Value: 35 Ncm



HBN-SSY48-1



HBN-SSY65-1

| | | |
|-----------------|--------|--------|
| Gingival height | 0.3 mm | 0.6 mm |
| Margin diameter | 5.7 mm | 6.5 mm |
| Chimney height | 4.1 mm | 4.1 mm |

Elos Accurate® Hybrid Base H™ Non-Engaging

Titanium Hybrid Base for screw-retained bridge restorations.

Torque Value: 35 Ncm



HBN-SSY48H-1

| | |
|-----------------|--------|
| Gingival height | 0.3 mm |
| Margin diameter | 5.3 mm |
| Chimney height | 4.5 mm |



Must be mounted with Elos Prosthetic Screw or Elos Accurate Hexalobular Prosthetic Screw. SCREWS **NOT** INCLUDED

COMPATIBLE TO:

Straumann® Standard and Standard Plus

SSY

4.8 RN

6.5 WN

Elos Prosthetic Screw

Prosthetic screw with M2 thread

Screwdriver: SCS screwdriver**Torque Value:** 35 Ncm

AS-SSYM207POS

AS-SSYM207POS

Elos Accurate® Hexalobular Prosthetic Screw

Prosthetic screw with M2 thread

Screwdriver: PS-AH18-1,
PS-AH26-1 or PS-AH34-1,
see last pages.**Torque Value:** 35 Ncm

AS-SSYM2007A-1

AS-SSYM2007A-1

COMPATIBLE TO:

Certain® Internal Connection

BCE

Elos Accurate® Scan Body

Material: Titanium seating and PEEK in scanning area for optimal scanning results without spraying.

Screwdriver: C18512, C13485 or C13048. *See last pages.*

Torque Value: Hand-torque until stable. No more than 5 Ncm.

3.4



IO 7B-A

4.1



IO 7B-B

5.0



IO 7B-B

6.0



IO 7B-B

Elos Accurate® Analog for Printed Models

1-piece analog for printed model.

Analog tools: PMA-AIT-1, PMA-AIP-2 and PMA-AIS-5. *See last pages.*



PMA-BCE34-1



PMA-BCE41-1



PMA-BCE50-1



PMA-BCE60-1

Elos Accurate® Hybrid Base™ Engaging

Titanium Hybrid Base for screw-retained single restorations and cement-retained single and bridge restorations.

Torque Value: 20 Ncm



HBE-BCE34-1



HBE-BCE41-1



HBE-BCE50-1



HBE-BCE60-1

| | | | | |
|-----------------|--------|--------|--------|--------|
| Gingival height | 0.4 mm | 0.4 mm | 0.4 mm | 0.4 mm |
| Margin diameter | 3.1 mm | 3.4 mm | 5.0 mm | 6.0 mm |
| Chimney height | 3.0 mm | 3.0 mm | 3.0 mm | 3.0 mm |

Elos Prosthetic Screw

Prosthetic screw with M1.6 thread

Screwdriver: 0.050" (1.25 mm) Hex screwdriver

Torque Value: 20 Ncm



AS-BCEM168POS



AS-BCEM168POS



AS-BCEM168POS



AS-BCEM168POS

Elos Accurate® Hexalobular Prosthetic Screw

Prosthetic screw with M1.6 thread

Screwdriver: PS-AH18-1, PS-AH26-1 or PS-AH34-1, *see last pages.*

Torque Value: 20 Ncm



AS-BCEM1608A-1



AS-BCEM1608A-1



AS-BCEM1608A-1



AS-BCEM1608A-1



Must be mounted with Elos Prosthetic Screw or Elos Accurate Hexalobular Prosthetic Screw
SCREWS **NOT** INCLUDED

COMPATIBLE TO:

External Hex Connection

BEH

Elos Accurate® Scan Body

Material: Titanium seating and PEEK in scanning area for optimal scanning results without spraying.

Screwdriver: C18512, C13485 or C13048. *See last pages.*

Torque Value: Hand-torque until stable. No more than 5 Ncm.

3.4



IO 7A-A

4.1



IO 7A-B

5.0



IO 7A-B

6.0



IO 7A-B

Elos Accurate® Analog for Printed Models

1-piece analog for printed model.

Analog tools: PMA-AIT-1, PMA-AIP-2 and PMA-AIS-5. *See last pages.*



PMA-BEH34-1



PMA-BEH41-1



PMA-BEH50-1



PMA-BEH60-1

COMPATIBLE TO:

Tapered Screw-Vent® Implant System

ZSV

Elos Accurate® Scan Body

Material: Titanium seating and PEEK in scanning area for optimal scanning results without spraying.

Screwdriver: C18512, C13485 or C13048. *See last pages.*

Torque Value: Hand-torque until stable. No more than 5 Ncm.

3.5



IO 5A-A

4.5



IO 5A-B

5.7



IO 5A-C

Elos Accurate® Analog for Printed Models

1-piece analog for printed model.

Analog tools: PMA-AIT-1, PMA-AIP-2 and PMA-AIS-5. *See last pages.*



PMA-ZSV35-1



PMA-ZSV45-1



PMA-ZSV57-1

Elos Accurate® Hybrid Base™ Engaging

Titanium Hybrid Base for screw-retained single restorations and cement-retained single and bridge restorations.

Torque Value: 30 Ncm



| | | | |
|-----------------|--------|--------|--------|
| Gingival height | 0.6 mm | 0.4 mm | 0.3 mm |
| Margin diameter | 4.5 mm | 5.0 mm | 6.0 mm |
| Chimney height | 3.0 mm | 3.0 mm | 3.0 mm |

HBE-ZSV35-1

HBE-ZSV45-1

HBE-ZSV57-1

Elos Accurate® Hybrid Base™ Non-Engaging

Titanium Hybrid Base for screw-retained bridge restorations.

Torque Value: 30 Ncm



| | | | |
|-----------------|--------|--------|--------|
| Gingival height | 0.9 mm | 0.5 mm | 0.4 mm |
| Margin diameter | 5.0 mm | 5.0 mm | 6.0 mm |
| Chimney height | 3.0 mm | 3.0 mm | 3.0 mm |

HBN-ZSV35-1

HBN-ZSV45-1

HBN-ZSV57-1

Elos Prosthetic Screw

Prosthetic screw with M1.8 thread

Screwdriver: 1.25 mm Hex screwdriver

Torque Value: 30 Ncm



AS-ZSVM1808POS



AS-ZSVM1808POS



AS-ZSVM1808POS

Elos Accurate® Hexalobular Prosthetic Screw

Prosthetic screw with M1.8 thread

Screwdriver: PS-AH18-1, PS-AH26-1 or PS-AH34-1, *see last pages.*

Torque Value: 30 Ncm



AS-ZSVM1808A



AS-ZSVM1808A



AS-ZSVM1808A



Must be mounted with Elos Prosthetic Screw or Elos Accurate Hexalobular Prosthetic Screw
SCREWS **NOT** INCLUDED

New naming structure (compatibility)

Our new naming structure follows a consistent and logical system

The system codes

| | Implant System | System code |
|------------------------|--|-------------|
| BIO-HORIZONS | BioHorizons Internal | BHI |
| | BioHorizons Multi-Unit Abutment | BHM |
| CAMLOG | Camlog® | CAS |
| | Camlog® Bar Abutment | CBA |
| DENTSPLY SIRONA | Ankylos® | DAN |
| | Ankylos Balance Base Abutment | DBA |
| | Astra Tech Implant System | ATO |
| | Astra Tech UniAbutment | ATU |
| | Astra Tech Implant System EV | ATE |
| | Astra Tech Implant System Profile EV | ATE-P |
| | MultiBase EV | MUA |
| | Astra Tech Implant System UniAbutment EV | AUE |
| NEOSS | Neoss® Access Abutment | NAC |
| | Neoss Implant System | NIS |
| NOBEL BIOCARE | Brånemark System | BRA |
| | Nobel Biocare® Conical Connection and NobelActive® | NBA |
| | Nobel Biocare® Multi-Unit Abutment | MUA |
| | NobelReplace® | NBR |
| STRAUMANN | Straumann® Bone Level | SBO |
| | Straumann® Screw-retained Abutment | SSA |
| | Straumann® Standard and Standard Plus | SSY |
| ZIMVIE | Certain® Internal Connection | BCE |
| | External Hex Connection | BEH |
| | Tapered Screw-Vent® Implant | ZSV |

Naming structure

BEFORE

IO 3B-C

AFTER

SB-ATE42-1

ScanBody

Astra
Tech EV

Platform

Number of
units in the
package

Elos Accurate[®] Libraries

Precision Meets Simplified Efficiency

Elos Accurate Libraries serve as the crucial link between your CAD software and specific implant components. They simplify your workflow by providing accurate representations of physical components, making your processes more efficient.

By making use of Elos Accurate Libraries, you can design and fabricate customized milled abutments, create one-piece bridges and bars with implant connection geometries, and achieve predictable results with engaging and non-engaging hybrid base restorations. Our libraries offer all the necessary tools at your disposal, empowering you to create outstanding dental restorations.

Why wait? Download Elos Accurate Libraries now and enjoy designing with accurate representations of physical components, which enable predictable results.

exocad **3shape** **dental wings**



Elos Accurate[®] Libraries at a glance

1. COMPREHENSIVE DIGITAL LIBRARIES

Elos Accurate Libraries are open digital resources that include all relevant components for major design software such as 3Shape, Exocad, and Dental Wings. They cover a wide range of implant solutions for various prosthetic indications.

2. SIMPLIFIED WORKFLOW

Seamlessly integrating into your digital workflow, Elos Accurate Libraries encompass all the necessary components for dental implant solutions. You can design solutions from start to finish in a digital environment, even when working with conventional impressions. This saves time and reduces the risk of errors. The libraries are compatible with popular platforms, eliminating the need to switch between implant-specific databases, scan bodies, or their settings, simplifying the workflow and reducing complexity.

3. USABILITY AND FLEXIBILITY

Integrated seamlessly into major open CAD and CAM software applications, Elos Accurate Libraries allow dental professionals to work with their preferred tools and equipment.

4. PRECISION

Elos Accurate Libraries prioritize precision in dental implant procedures. They provide a comprehensive range of components and tools to ensure a precise model, enabling predictable results that enhance the success rate of dental restorations and improve patient satisfaction.

5. CONTINUOUS UPDATES AND SUPPORT

The libraries receive regular updates to incorporate new products and software advancements. Elos Medtech collaborates closely with CAD/CAM software providers, implant companies, and dental clinics/labs to gather knowledge and ensure the libraries remain up-to-date and reliable.

6. PROVEN TRACK RECORD

Elos Accurate Libraries have gained trust and positive feedback from the dental industry. They have been downloaded tens of thousands of times by users worldwide and have a reputation for delivering reliable results. Elos Medtech's focus on digital solutions since the birth of the dental digital era and its commitment to quality contribute to the library's credibility.

In short, Elos Accurate Libraries offer comprehensive, user-friendly, and precise digital resources that enhance the workflow of dental professionals. They support implant procedures and provide value to implant companies, dental labs, and clinics.

Elos Accurate® ScanBody22™ Kit

COMING SOON

For Nobel implant systems. We offer ScanBody22 kits containing all implant platforms for the Nobel system. The ScanBody22 is delivered in a stackable, nicely designed display box. The display box contains magnets to fix the driver (the driver is sold separately). The display box contains 4, 6 or 8 pcs. However, it provides space for 16. Inlay material is in TPU with embedded magnets for the tools, and designed for all Elos MedTech scan bodies.



Elos Accurate® Brånemark® Kit

No ultra
sonic
cleaning

BRA KIT



Elos Accurate® Nobel Biocare® Conical Connection NBA Kit

No ultra
sonic
cleaning

NBA KIT



Elos Accurate® Nobel Biocare® Multi-Unit Kit (MUA)

No ultra
sonic
cleaning

MUA KIT



Elos Accurate® Nobel Replace® Kit

No ultra
sonic
cleaning

NBR-KIT



Elos Accurate® Scan Body Kit

For the major implant systems, we offer IO Scanbody kits containing all implant platforms available for the system. The IO Scanbodies are delivered in a practical box with clear markings for your convenience.



Elos Accurate® Brånemark® Kit

In the box

2 ea., NP + RP + WP

IO 6A KIT



Elos Accurate® Nobel Biocare® Conical Connection SA Kit

In the box

2 ea., 3.0 + 3.5NP + 4.3/5.0RP + 5.5WP

IO 2B SA KIT



Elos Accurate® Nobel Biocare® Conical Connection Kit

In the box

2 ea., 3.0 + 3.5NP + 4.3/5.0RP + 5.5WP

IO 2B KIT



Elos Accurate® Nobel Biocare® Multi-Unit Kit (MUA)

In the box

2 ea., NP/RP + WP

IO 2C KIT



Elos Accurate® Nobel Replace® Kit

In the box

2 ea., NP + RP + WP + 6.0

IO 2A KIT







Elos Accurate® Instruments

Elos Accurate® Scan Body Driver

Material: Stainless Steel

Torque Value: Hand-torque until stable. Maximum 5 Ncm

| | | | | |
|--------|---|---|---|---|
| |  |  |  |  |
| Length | 92 mm | 25 mm | 16 mm | 24 mm |
| | C13048 | C13485 | C18512 | SBD-M-1 |

Elos Accurate® Analog Pliers

Material: Stainless Steel and Titanium

To be used when placing Elos Accurate Analog for Printed Models, article numbers starting with PMA.



PMA-AIT-1

Elos Accurate® Analog Insertion Pin

Material: Stainless Steel

To be used when placing Elos Accurate Analog for Printed Models, article numbers starting with PMA.



PMA-AIP-2

Elos Accurate® Analog Insertion Screw

Material: Stainless Steel

Optional product for extra safety after placing Elos Accurate Analog for Printed Models, article numbers starting with PMA.



PMA-AIS-5

The driver (SBD-M-1) is backward compatible with all Elos Accurate scan bodies.




Elos Accurate® Instruments

Elos Accurate® Prosthetic Screwdriver

Material: Stainless Steel

Hexalobular screwdriver with RA connection




To be used when placing Elos Accurate Hybrid Base Bridge constructions.

| | | | |
|--------|---|---|---|
| |  |  |  |
| Length | 18 mm | 26 mm | 34 mm |
| | PS-AH18-1 | PS-AH26-1 | PS-AH34-1 |

Elos Driver

Connection: RA

Handle for Elos Accurate® Prosthetic Screwdriver.
Can be used with Elos Accurate® Torque Control

| | | | |
|--------|---|---|---|
| |  |  |  |
| Length | 16.5 mm | 11.2 mm | 80 mm |
| | C8381 | C8382 | C8830 |

Elos Accurate[®] ScanBody22[™] Titanium

Elos was the first company in the world to introduce a high-precision scan body that made the digitalization of implant restorations possible. The latest advance, scan bodies in titanium, improves the precision-demanding digital scanning process even further.

Titanium has a high tensile strength and excellent corrosion resistance. It is not affected by the normal temperature fluctuations to which the human body/mouth is exposed (e.g. from hot soup to cold ice cream). And last but not least it is extremely durable, it has a higher strength-to-weight ratio, and it is biocompatible.

Features

- High tensile strength
- Excellent corrosion resistance
- Unaffected by temperature fluctuations
- Biocompatible
- Pure Grade-4 titanium
- Chemically stable — does not change color

THE STORY BEHIND THE NAME ScanBody22

The atomic number of Titanium is 22. Commercially, pure Grade-4 titanium is used in a range of industrial applications. It is a lightweight, high-strength, and low-corrosion structural metal.

22



World-class
scannability

Crisp
surface
for top
accuracy

No ultra
sonic
cleaning

THE GREY SURFACE

- No reflection — it is light and matte
- Super smooth surface for scanning
- Almost no scan scatter — it is super clean
- High accuracy — minimum deviation
- Protective oxide layer on the metal

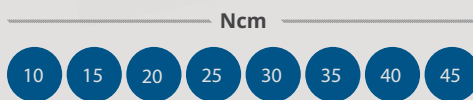
Torque wrench

The Elos Torque Wrench is the perfect tool for implant surgery and prosthetic procedure. Accurate, easy to clean and versatile.

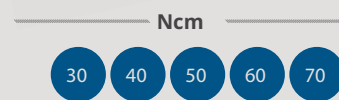
A few facts

- The TW-45-1 and TW-70-1 are sold without drivers
- They both contain a high-precision indicator with visible and clear laser markings
- Fast cleaning - only 2 components to clean
- Same driver for all Elos' torque wrenches

TW-45-1



TW-70-1



DRIVERS FOR ELOS TORQUE WRENCHES



C8381



C8382

RA | CONNECTION: ISO 1797

Handle used for applying torque up to 50 Ncm. Mainly for **prosthetic** use.



C8521



C8522

4 X 4 | CONNECTION: 4 X 4

Handle used for applying torque up to 150 Ncm. Mainly for **surgical** use.



C9271



C9141

CA | CONNECTION: ISO 17509

Handle used for applying torque up to 90 Ncm. Mainly for **surgical** use.



C9509



C9511

DOUBLE 4 X 4 | CONNECTION: DOUBLE 4 X 4

Handle used for applying torque up to 150 Ncm. Mainly for **surgical** use.



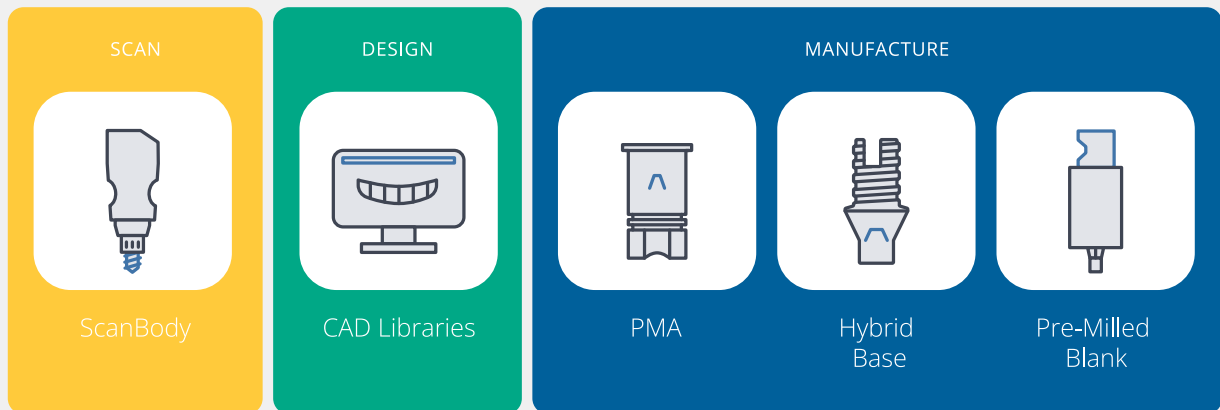
C11572

HEX | CONNECTION: 6.35MM HEX

Handle used for applying torque up to 150 Ncm. Mainly for **surgical** use.

Digital SMART Flow

Simplify the **M**anufacturing of **A**ccurate **R**estorations with **T**echnology



The Elos Medtech Digital SMART Flow concept includes various tools – scan bodies, hybrid bases (Ti-bases), pre-milled blanks, and abutments – needed for digital workflows. All of them are FDA cleared or MDR compliant where required.

Digital SMART Flow is a particularly exciting concept in the ongoing democratization of digital dentistry. As the name indicates, the new concept aims to eliminate complexity from digital workflows, with SMART standing for:

Simplify the Manufacturing of Accurate Restorations with Technology.

The unwavering commitment to accuracy of course characterizes all products in the Digital SMART Flow portfolio, and our open library contains all relevant CAD/CAM parts for 3Shape, Dental Wings and exocad software.

Technical excellence is in our very DNA. For more than a quarter of a century, Elos Medtech has been a partner and subcontractor for all the major dental implant companies.

We were founded in 1923 in Sweden and are a leading development and production partner for the medtech industry.

