

almando

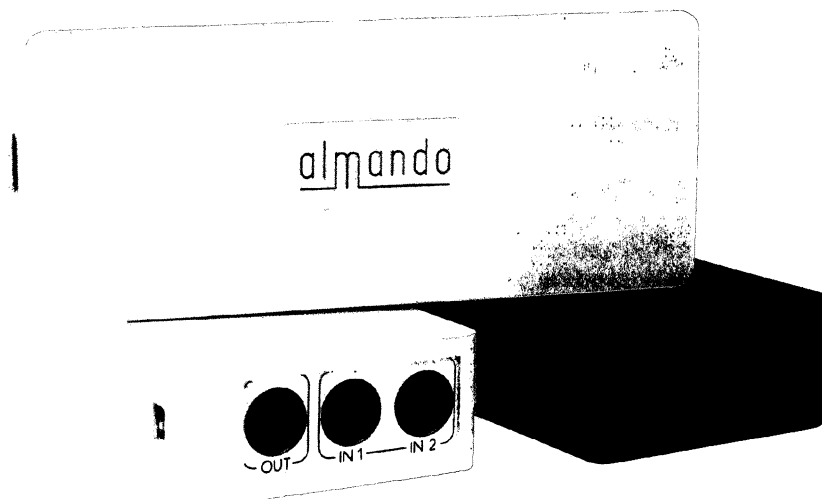
NO LIMITS TO YOUR HOME ENTERTAINMENT

B&O compatible

almando® Multiplay Stereo

(Powerlink-Switch with SPDIF)

-) Stereo-audio switch with three inputs
-) Automatic source selection with priority circuit
-) Ideal for input via Apple Airport Express (Airplay)
-) B&O compatible



3	almando / ip media systems GmbH
4	Operating Mode
	Examples of Use
6	A Apple Airplay Function: Refitting for B&O Systems
7	B Converter: Stereo-RCA -> B&O Powerlink
	C Converter: Volume adjustable SPDIF -> B&O Powerlink
8	D Twin-Link Function in B&O Master Room (B&O Audio + Loewe TV + SONOS CONNECT)
9	E Twin-Link Function in B&O Link Rooms
10	F Smart Integration of SONOS CONNECT into B&O Systems
11	Safety Instructions
	Connections
12	Front Panel
13	Rear Panel
	Left Side
14	Right Side
15	Technical Specifications
16	Block Diagramm

almando Within the digital world of entertainment electronics there are high grade devices, technological sophisticated devices, devices that are well designed and devices that you can handle easily. And there are only a few devices which combine all this, only to satisfy the wishes of the customers – just like almando devices by **ip media systems GmbH**. This demands to take unconventional ways and thereby rely on experience for many years

almando Multiplay Congratulations to your purchase of this automatic source changeover with 8-pin DIN and RCA inputs and also a SPDIF-connection. **almando Multiplay** is 100% compatible to B&O. This device is predestinated for Apple Airplay with B&O systems and in addition it offers you solutions for various problems with audio installations, e.g. input of analogue and digital audio sources into B&O systems, connection of B&O Speakers to audio devices of different manufacturers, etc. The shown examples in this manual are only a small part of the many possible applications.

almando Wireless-Powerlink The **almando WirelessPowerlink** was specifically developed for your B&O system and is the leading way of signal transmission from the hi-fi unit to the boxes, especially where a connection via cable is not possible or simply too expensive. Via radio communication the emitter of your B&O TV and the receivers on the rear speakers are constantly in connection. For you it means wireless surround sound in absolute CD quality. Because of automatic changing of frequencies the transmission is always guaranteed at its best.

almando Receiver B&O compatible A digital receiver by almando can be controlled by a Bang & Olufsen remote control like e.g. the Beo4. Handling with several remote controls counts to the past. Our receivers can be integrated in a time controlled programming of a Bang & Olufsen system. The total integration into a Bang & Olufsen link-system is possible without problems. Image and sound of the receiver can be transmitted in different rooms; and at the same time, a complete handling of the receiver from there is guaranteed.

almando / ip media systems GmbH is not linked in any connection to Bang & Olufsen, LOEWE, SONOS or Apple. All names, logos, etc. are registered trademarks of the manufacturers listed in this manual. The information in this manual can be changed at any time and without previous announcement. All rights reserved.

IMPORTANT NOTE

The following functions of the **almando Multiplay** are universally valid and are not separately described concerning the shown examples of use on the following pages.

1. Which sources can be connected?

On INPUT 1 and 2 (DIN 8-pin) as well as INPUT 3 (SPDIF) several stereo-audio sources can be connected which possess a volume controlled output (e.g. B&O devices, Apple Airport Express, SONOS ZP90, Loewe TV, MP3-Player, DVB-Receiver, etc.).

The **almando Multiplay** is **NOT** suitable for converting 5.1 data stream via SPDIF (e.g. Blu-ray Player, several TVs, AV-Receiver, Apple TV) – those sources **CANNOT** be volume controlled and therefore they would touch the B&O speakers with the maximum volume.

2. 100% standardized B&O Powerlink Signal

The Powerlink signals of the connected B&O sources simply were looped through. All other audio signals – it doesn't matter if digital or analogue – are converted into 100% standardized B&O Powerlink signals, including the trigger voltage appropriate for B&O speakers.

3. Automatic source management with priority circuit

The **almando Multiplay** is not only a Powerlink converter, but at the same time an automatic source manager. For handling one of the connected devices therefore you need only the particular remote control, and in doing so you can adjust the volume. The connected sources have different priorities – it is essential: if there are several sources active then you hear just one: INPUT 1 (Powerlink) before SPDIF before INPUT 2.

4. Automatic source activation on INPUT 2 and 3 by signal detection

As soon as a signal is touching it will be detected by **almando Multiplay** and is converted into a Powerlink signal with trigger voltage.

If the source doesn't provide any signal (e.g. if it is turned mute or switched off), an intelligent circuit takes care of a turn-off delay of ½ - 2 minutes (adjustable) – only then the Powerlink signal is turned off and the B&O speakers switch to standby mode. This is necessary, e.g., for longer silent parts within audio books, and accordingly, gives you enough time to select the next titles for play back from your music archive.

5. Automatic source activation on INPUT 2 via extern trigger voltage

If the connected source on INPUT 2 has a trigger voltage of its own (e.g. B&O Powerlink, or Loewe TV with trigger voltage) then the DIP switch 2 on the left side should be turned ON. This way of source activation is otherwise preferred to the typically used signal detection.

If there is no source connected to INPUT 2 then this trigger function should also be activated (DIP switch 2 turned ON).

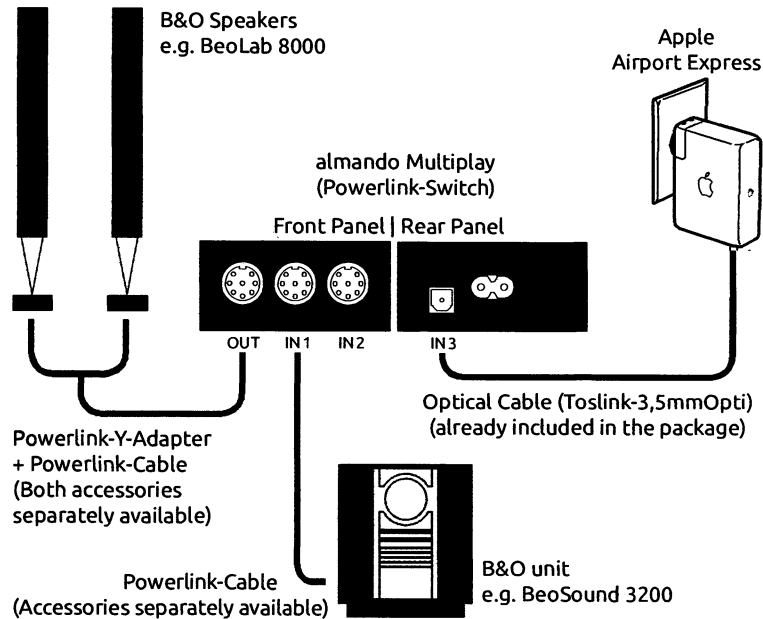
6. Automatic source activation on INPUT 3 via Apple Airport Express

There is a specific feature when an Apple Airport Express on DIGITAL INPUT (SPDIF) is connected. The **almando Multiplay** is optimized to that effect to analyze the particular SPDIF signal of the Apple Airport Express - which means if there is no signal (e.g. if Airplay isn't active anymore or e.g. the iPod is turned mute), then the Powerlink signal is turned off immediately and the B&O speakers change into standby mode - the otherwise necessary turn-off delay is not required with the Apple Airport Express.

This function doesn't have to be separately made as an option by a switch, but is available automatically.

All others on DIGITAL INPUT (SPDIF) connected digital sources like e.g. SONOS CONNECT are activated by the signal detection with adjustable turn-off delay (½ - 2 min.).

A Apple Airplay Function: Refitting for B&O Systems



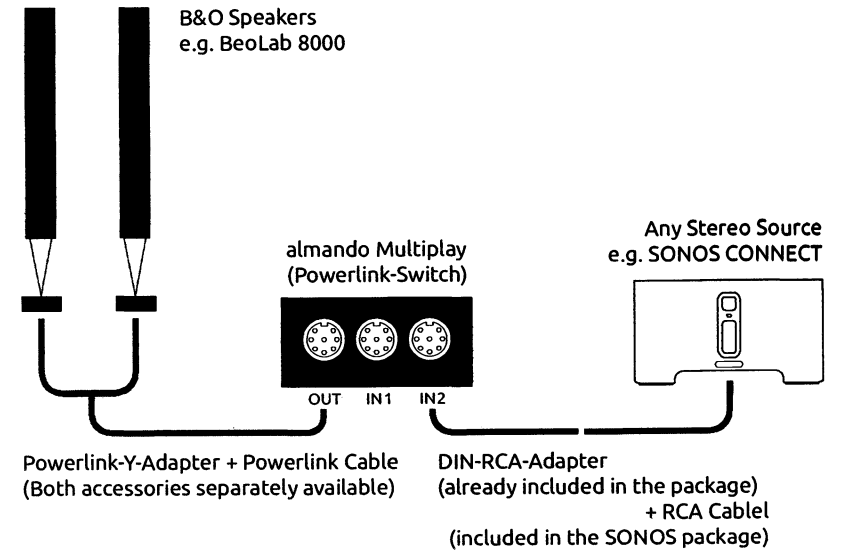
Connect an Apple Airport Express with an optical cable (optical fiber assembly) on DIGITAL INPUT (SPDIF) of the **almando Multiplay** and thereby refit your B&O unit or your B&O speakers with the Airplay function.

As soon as you use the Airplay function with your iPhone, iPad or iPod Touch, the sound is transmitted optically from the Apple Airport Express via the optical cable and is emitted as standardized B&O Powerlink signal (incl. trigger voltage) by **almando Multiplay**. And if the Apple Airport Express provides no signal anymore (e.g. if Airplay isn't active anymore or e.g. the iPhone is turned mute), then the Powerlink signal is switched off immediately and the B&O speakers switch to standby mode.

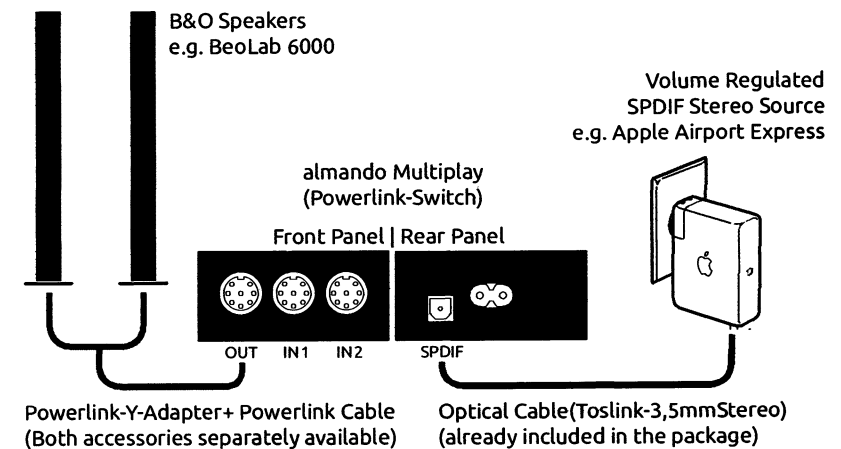
The **almando Multiplay** therefore is especially optimized for Apple Airport Express.

For you it means that you can move within your home freely and without any annoying docking stations and can listen to your music on your iPod through your B&O speakers. You can control the volume conveniently with your iPod; hereby you don't need the B&O remote control – this is maximum ease of use.

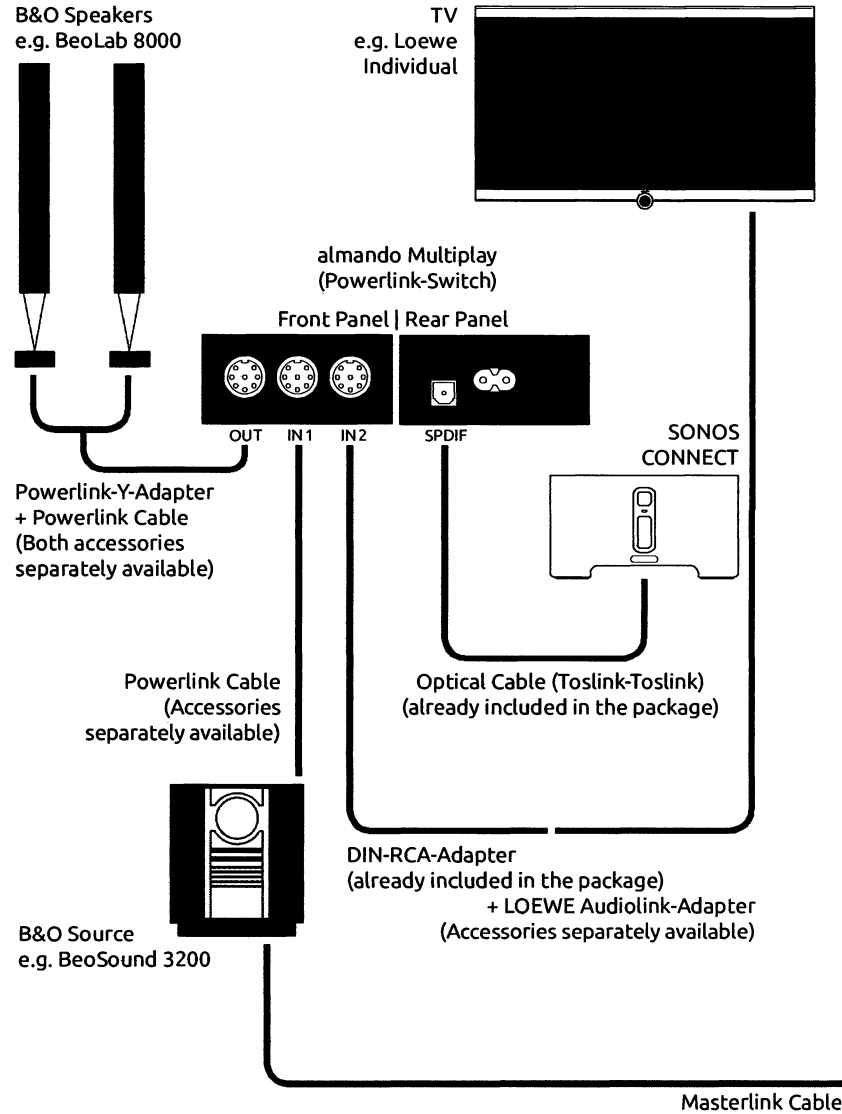
B Converter: Stereo-RCA -> B&O Powerlink



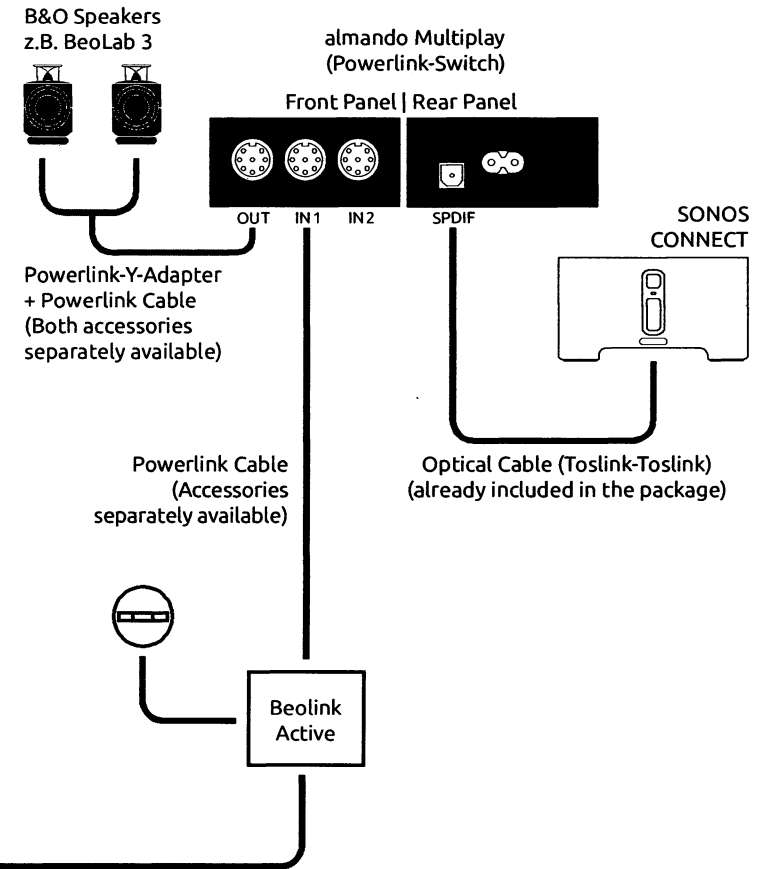
C Converter: Volume Controlled SPDIF -> B&O Powerlink



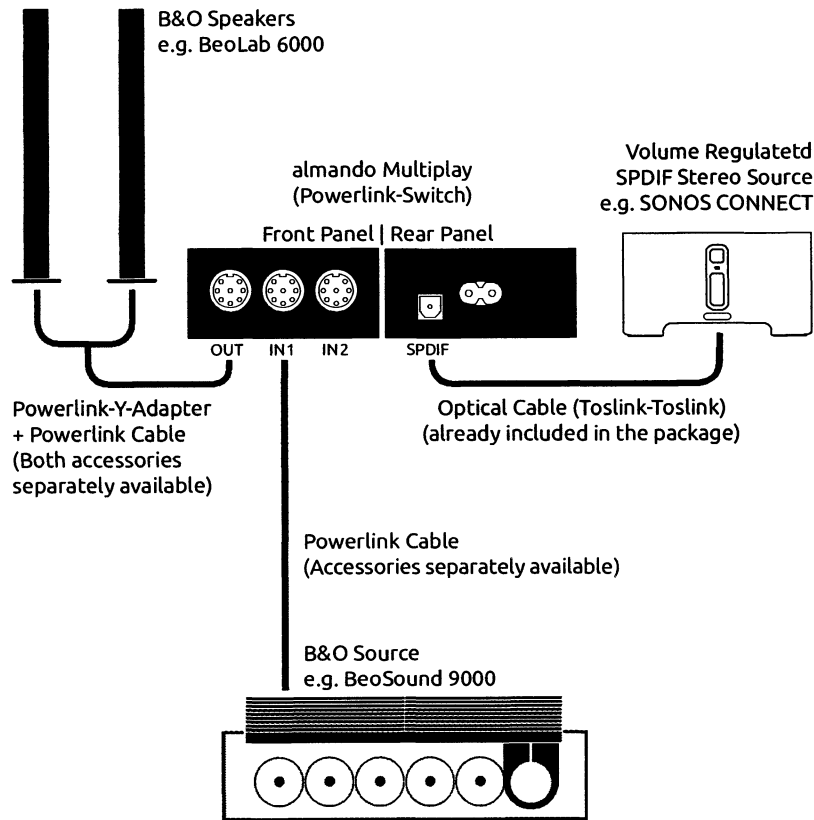
D Twin-Link Function in B&O Master Room
(z.B. B&O Audio + Loewe TV + SONOS CONNECT)



E Twin-Link Function in B&O Link Room
(real additional SONOS Multi Room System with parallel further usable B&O Masterlink System)



F Smart Integration of SONOS CONNECT into B&O Systems



The connection to the electricity network is carried out with the provided power cord. A damaged connecting cable must not be repaired.

The operating voltage has to be consistent with the line voltage.



Protect your device from dampness and humidity. Do not operate your device in rain. The device must not be operated near water, bath tubs, basins, kitchen sinks, in damp locations, near swimming pools or in humid rooms.

Do not place objects filled with liquids like vases, glasses, bottles, etc. on the device.

Avoid direct solar radiation, as well as the direct closeness of radiators, heating devices or similar devices.



If the device suddenly is carried from a cold place to a warm surrounding, then there can accumulate condense water inside the device. Before switching it on, wait until the device has gained room temperature.

For safety of the device pull the main plug in case of thunderstorms or if you don't use or oversee it for a longer period of time. This prevents damages of the device because of lightning and voltage surges within the electricity network.

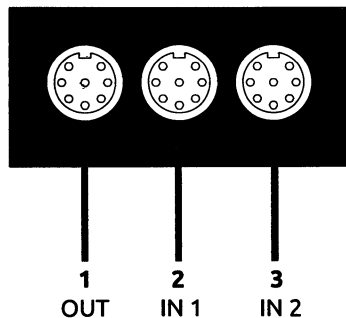
In case of improper use the guarantee is terminated!

Exclusion of liability:

ip media systems GmbH is not liable for damages of devices which are caused because of negligence or inappropriate use.

In particular ip media systems GmbH is not liable for missed gains or other financial damage of the buyer. This constricts also for the personal liability of employees, sales representatives and vicarious agents.

Front Panel

**1 OUTPUT (Powerlink output)**

8-pin DIN jack

Pin 2 - Ground

Pin 3 - Output L

Pin 4 - Powerlink-mute trigger voltage (5 V DC)

Pin 5 - Output R

2 INPUT 1 (Powerlink input)

8-pin DIN-jack

Pin 2 - Ground

Pin 3 - Input L

Pin 4 - Powerlink-mute trigger voltage (5 V DC)

Pin 5 - Input R

3 INPUT 2 (Powerlink input / RCA input via adapter cable)

8-pin DIN jack

Pin 2 - Ground

Pin 3 - Input L

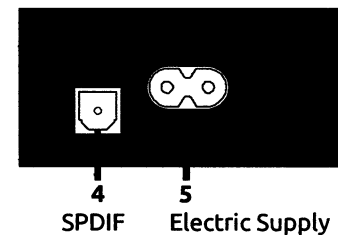
Pin 4 - Input for trigger voltage (5-16 V DC)
for activation of INPUT 2 (e.g. Powerlink Mute)

Pin 5 - Input R

If the DIP switch 2 on the left side of the casing is turned ON, the INPUT 2 can be used as additional Powerlink input (automatic shift for two B&O input sources).

If the DIP switch 2 on the left side of the casing is turned OFF then the automatic signal recognition is active on INPUT 2 (intelligent circuit with adjustable turn-off delay).

Rear Panel

**4 DIGITAL INPUT - SPDIF**

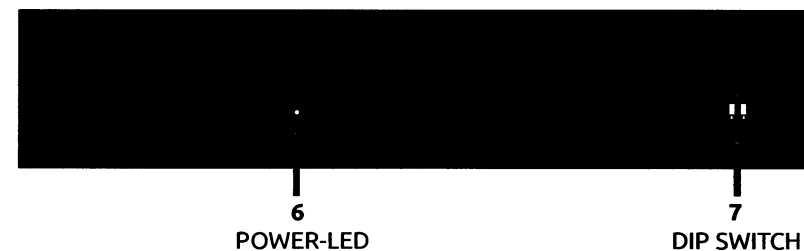
Connection possibilities for **volume controlled**, digital stereo audio signals via optical cable with Toslink plugs. Ideal for e.g. Apple Airport Express (Airplay) or SONOS CONNECT.

Not suitable for 5.1 data stream (surround sound), because hereby no volume regulation is possible (e.g. Apple TV).

5 ELECTRIC SUPPLY

Connect Figure 8 jack with the enclosed power cable to the wall socket. ATTENTION: Prior to this all other cables should be connected already.

Left Side

**6 POWER-LED**

LED light for indication of power supply

7 DIP-SWITCH

DIP 1 - ON (top)

bridge of PIN 2 and 7 of the connected B&O speakers (optional for removing background noise with certain older B&O systems)

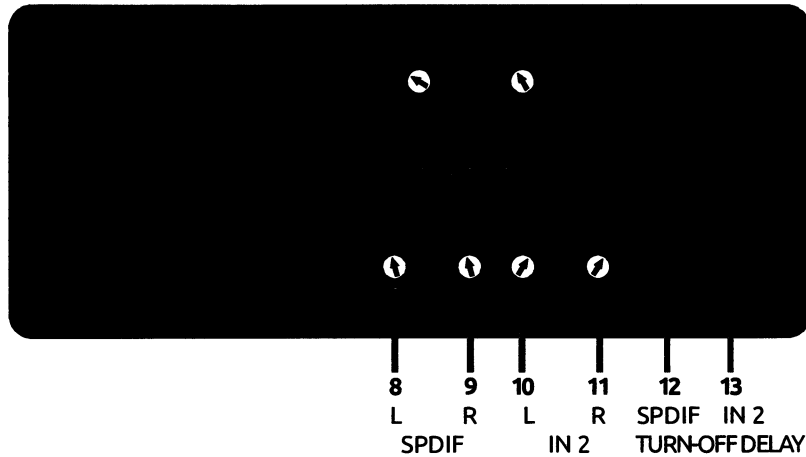
DIP 2 - ON (top)

INPUT 2 with external trigger voltage 5-16V (e.g. Powerlink mute)

DIP 2 - OFF (bottom)

INPUT 2 with automatic signal recognition

Bottom



LEVEL ADJUSTMENT

8 - 9 DIGITAL INPUT - SPDIF - left (8) and right (9) channel

10 - 11 INPUT 2 - Powerlink or RCA - left (10) and right (11) channel

Volume control for devices connected to INPUT 2 or DIGITAL INPUT (e.g. with reduced line level like MP3 player like Apple iPod), as well as for correlating volume adaption to the source at INPUT 1.

Right and left channel are in each case separately adjustable.



IMPORTANT NOTE:

If an Apple Airport Express of the 2nd generation is connected, then both volume controls (L / R) should be positioned to you personal requirements.

The reason hereby is that in case of this device the adjustment range is not in accordance with standard specifications.

12 - 13 **TURN-OFF DELAY**

Rotary control for adjusting the turn-off delay of DIGITAL INPUT, SPDIF (12) and INPUT 2 (13).

This only applies to operating mode SIGNAL DETECTION)



Powerlink Signals	INPUT 1, INPUT 2 (in case of trigger ON) and OUTPUT are 100% B&O compatible
Remote Activation of INPUT 2	ON/OFF via external trigger voltage (5-16 V DC) on 8-pin DIN jack
Automatic Starting of INPUT 2 and 3	"ON" as soon as signal touches, "OFF" (standby), if no signal is available for longer than 1/2 - 2 minutes (adjustable) (Exception: no backlash time in case of Apple Airport Express on DIGITAL INPUT, SPDIF)
Level Adjustment on INPUT 2 and 3	from -30dB to +8dB for adjustment of the volume to each other and to INPUT 1, both separately adjustable for L and R
Inputs	INPUT 1 8 pin DIN (Powerlink) INPUT 2 8 pin DIN (Powerlink / RCA via Adapter) INPUT 3 SPDIF (stereo, volume regulated)
Output	OUTPUT 8 pin DIN (Powerlink)
Electric Power Supply	200-240V~ 50 Hz (European, UK or Australien power cord) or 100-130V~ 60 Hz (US power cord)
Size	171 x 72 x 34 mm (L x W x H)
Weight	0,3 kg
Colour	black or white
Guarantee	3 years
Accessories within the shipment	- Power cord (electric cable) - RCA Adapter cable for INPUT 2 for connecting device with RCA cables (e.g. LOEWE TV) - Optical cable Toslink / Toslink, length 1m (3.3ft) (e.g. SONOS CONNECT) - Optical cable Toslink / 3,5 mm opt. stereo jack, length 1 m (3.3ft) (e.g. Apple Airport Express)
Accessories separately available	- Optical cable with different length - Powerlink Cable - Powerlink-Y-Adapter - LOEWE Audiolink Cable