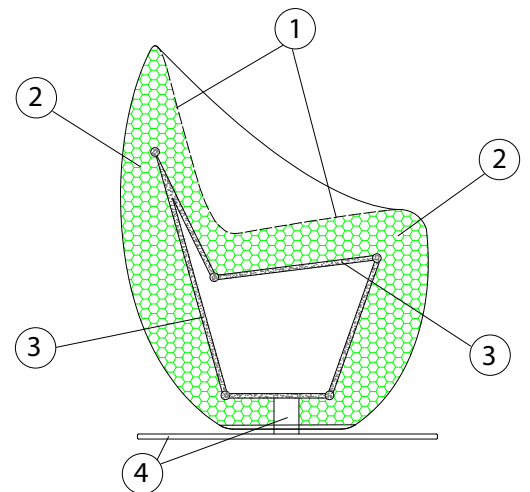


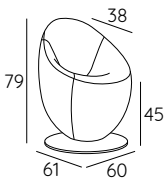


Ovo it's an egg turned into a chair! A striking oval design proposed in a new and original chair whose compact and totemic form reveals a sudden and surprising place to sit that looks like it has been carved from a monolith. Comfortable and cozy, Ovo encloses and protects. It can adapt to any setting with a touch of distinct personality: It can be the star in the living room, serve as a refuge in the office of the house, or show off in a beautiful kitchen, in a welcoming foyer, or even a workout room and in other locations, like around conference tables or in waiting rooms.

- 1 - dacron® fiber 100 gr;
- 2 - high resilience foamed polyurethane foam;
- 3 - structural frame in tubular metal;
- 4 - shiny inox swivel base.



DIMENSIONS:



BASE:

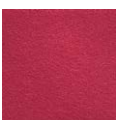
h 2



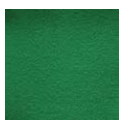
TECHNICAL DETAILS:

Removable cover: NO	kg	m ³	mts
OVO	29	0.29	1.80

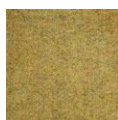
SUGGESTED FABRICS:



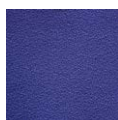
Europost 2



Natur wool



Fenice



Mirage

The bielastic coatings adhere perfectly to the product

The velvets and the fake leathers dress the product with softness with small pence in the more rounded parts, which become the natural characteristic of this version.