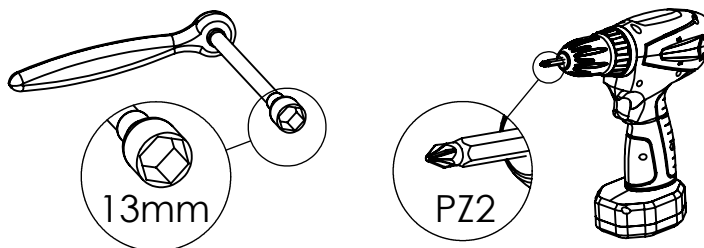
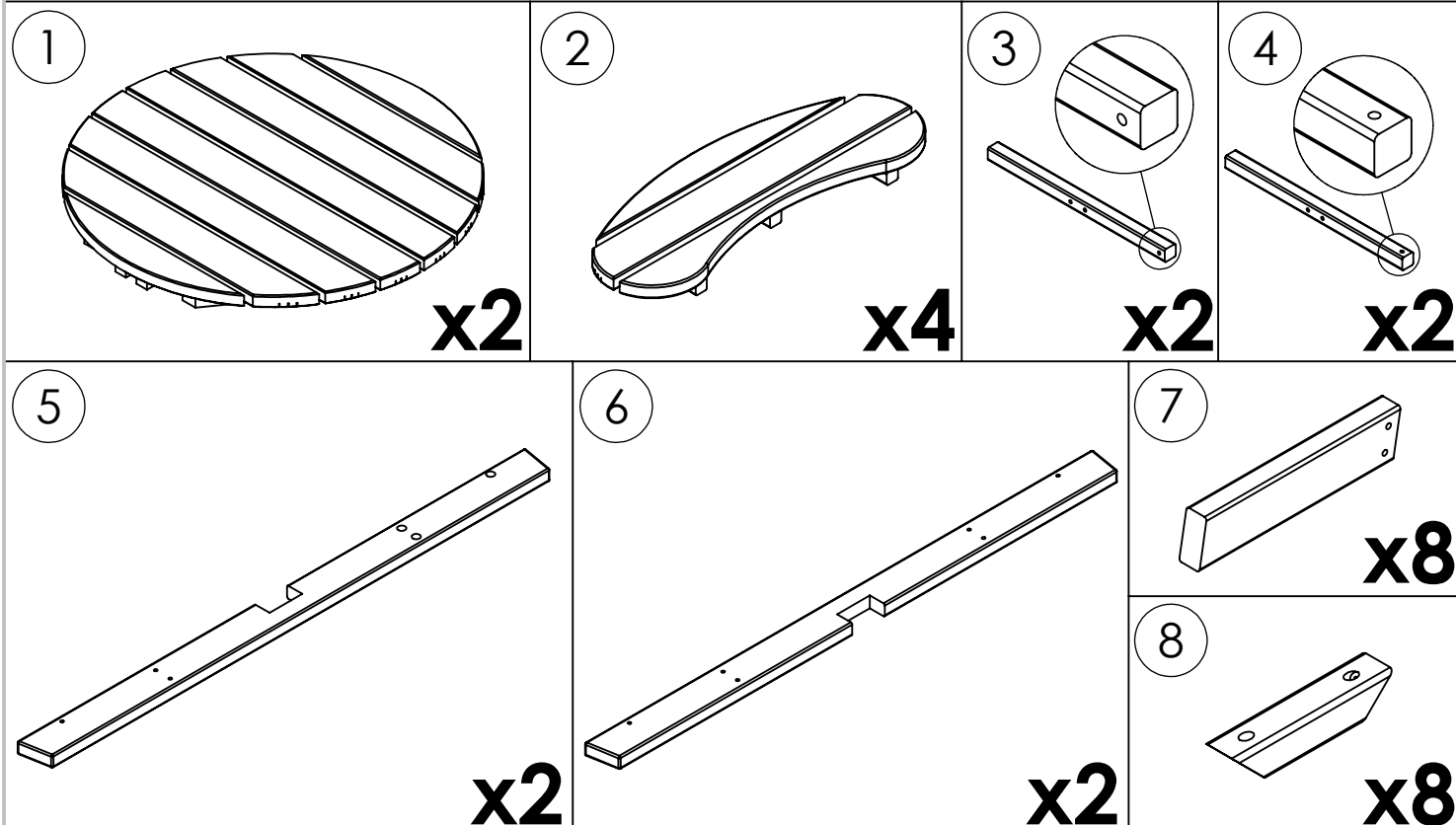
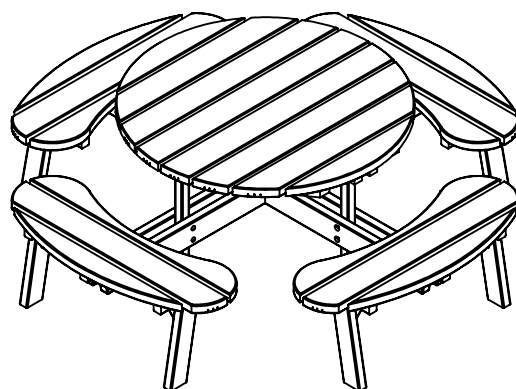
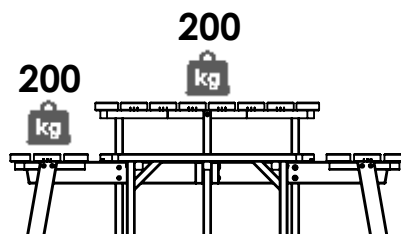


## Assembly instruction



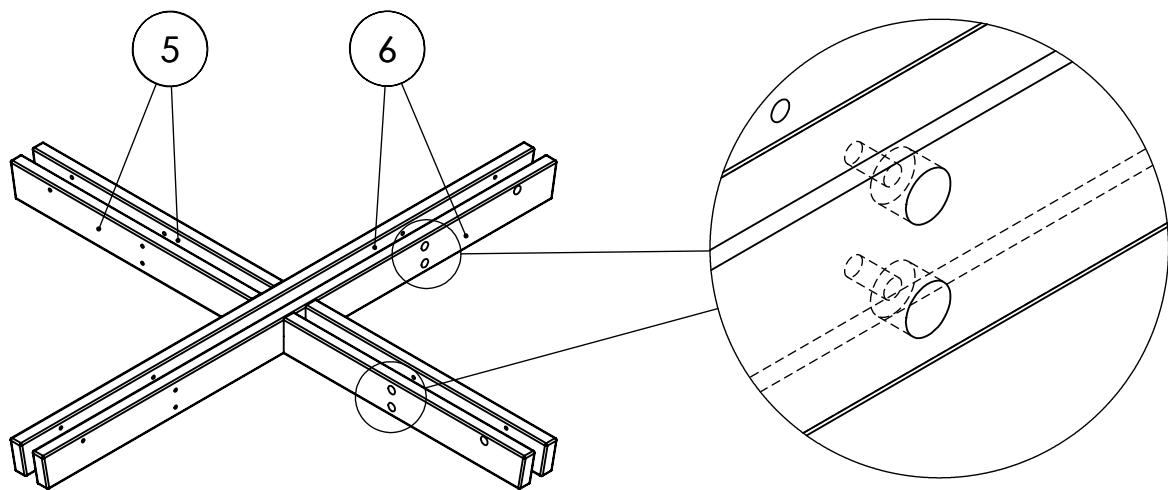
### IMPORTANT!

Do not tighten screws during assembly.

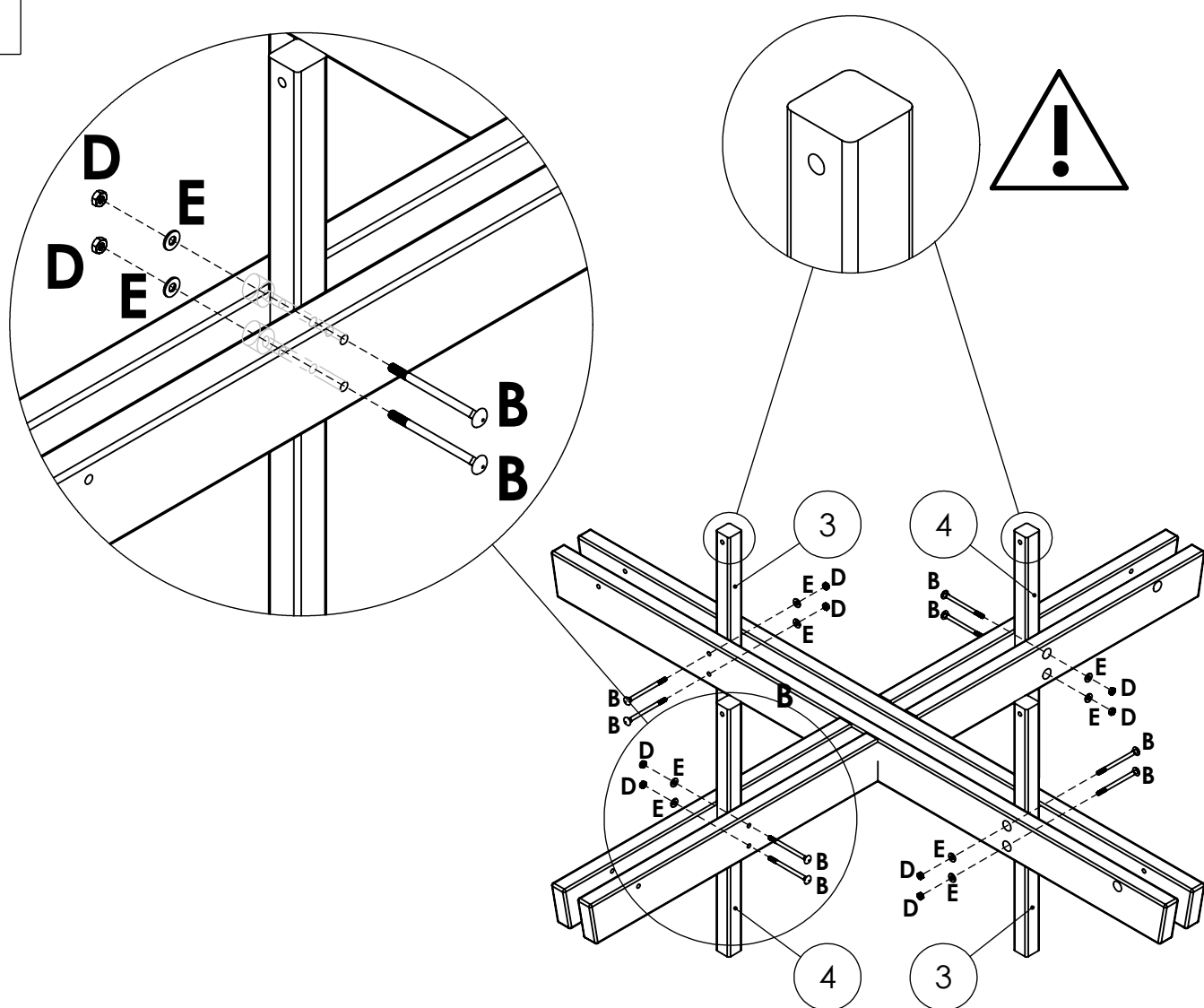
All screws must be tightened up only at the end of assembly.

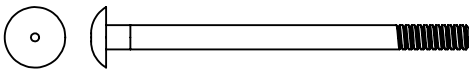


A		M8x80	x18
B		M8x120	x14
C		5x50	x16
D		M8	x32
E		M8	x32

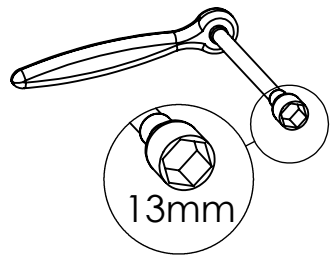
1



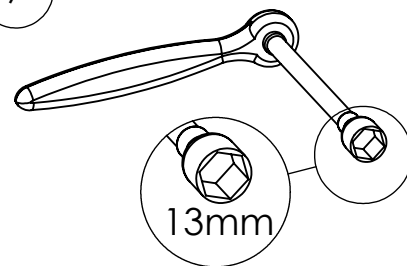
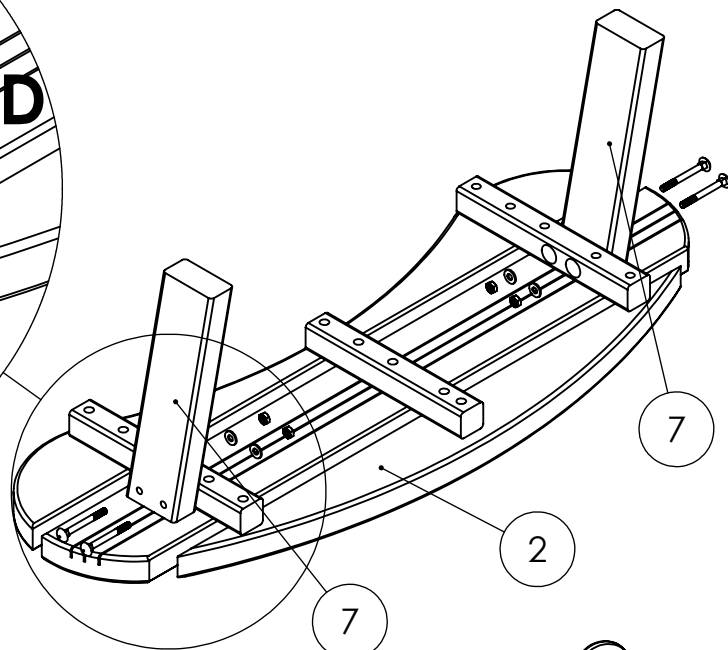
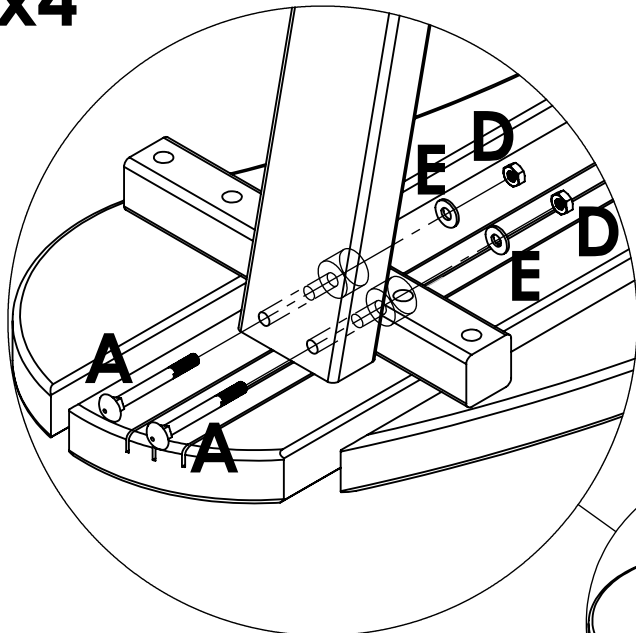
2

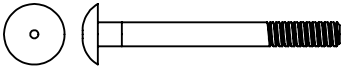




<b>B</b>		<b>M8x120</b>	<b>x8</b>
<b>D</b>		<b>M8</b>	<b>x8</b>
<b>E</b>		<b>M8</b>	<b>x8</b>

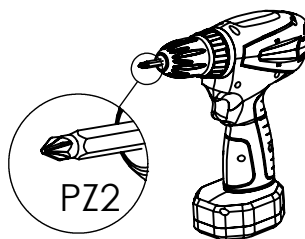
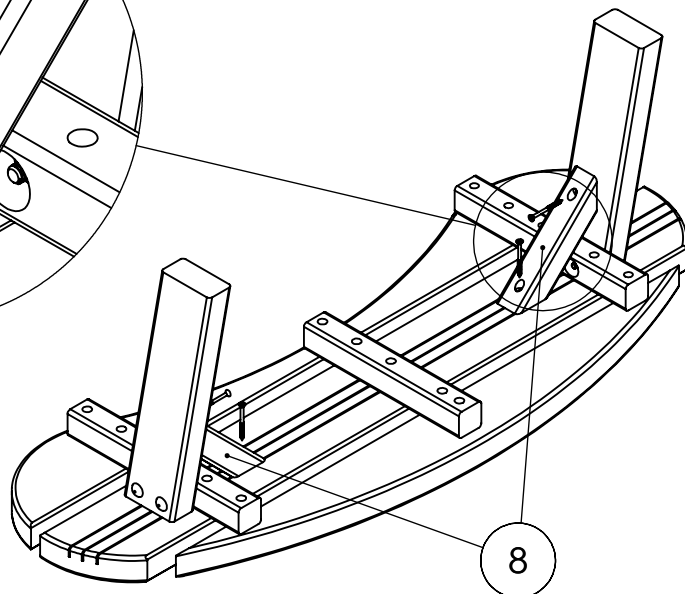
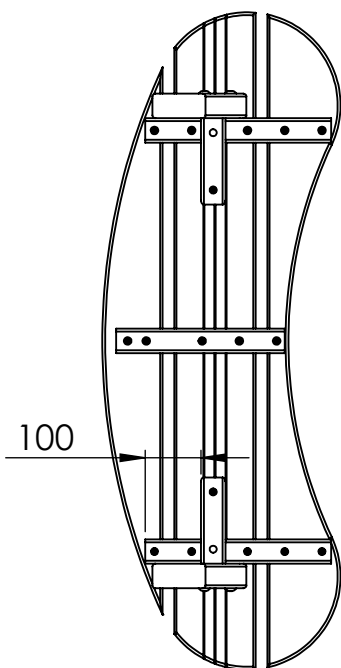
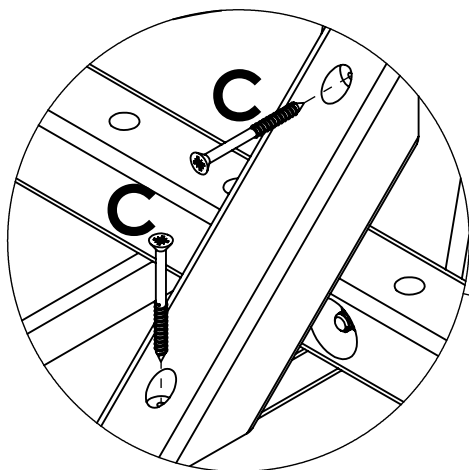


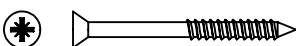
3 x4

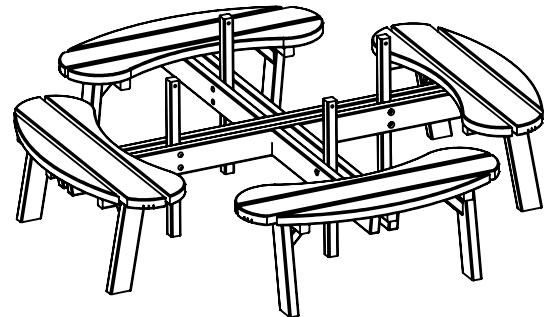
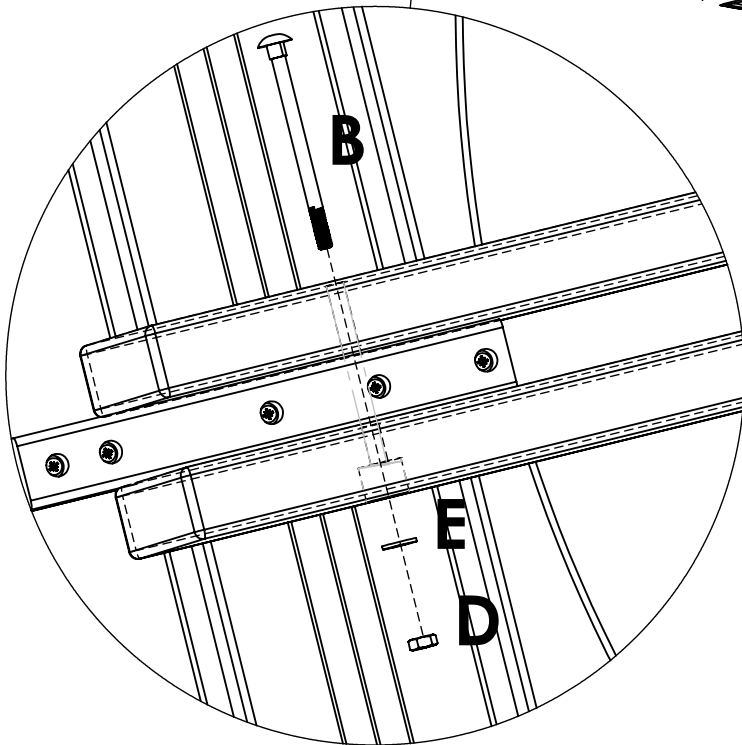
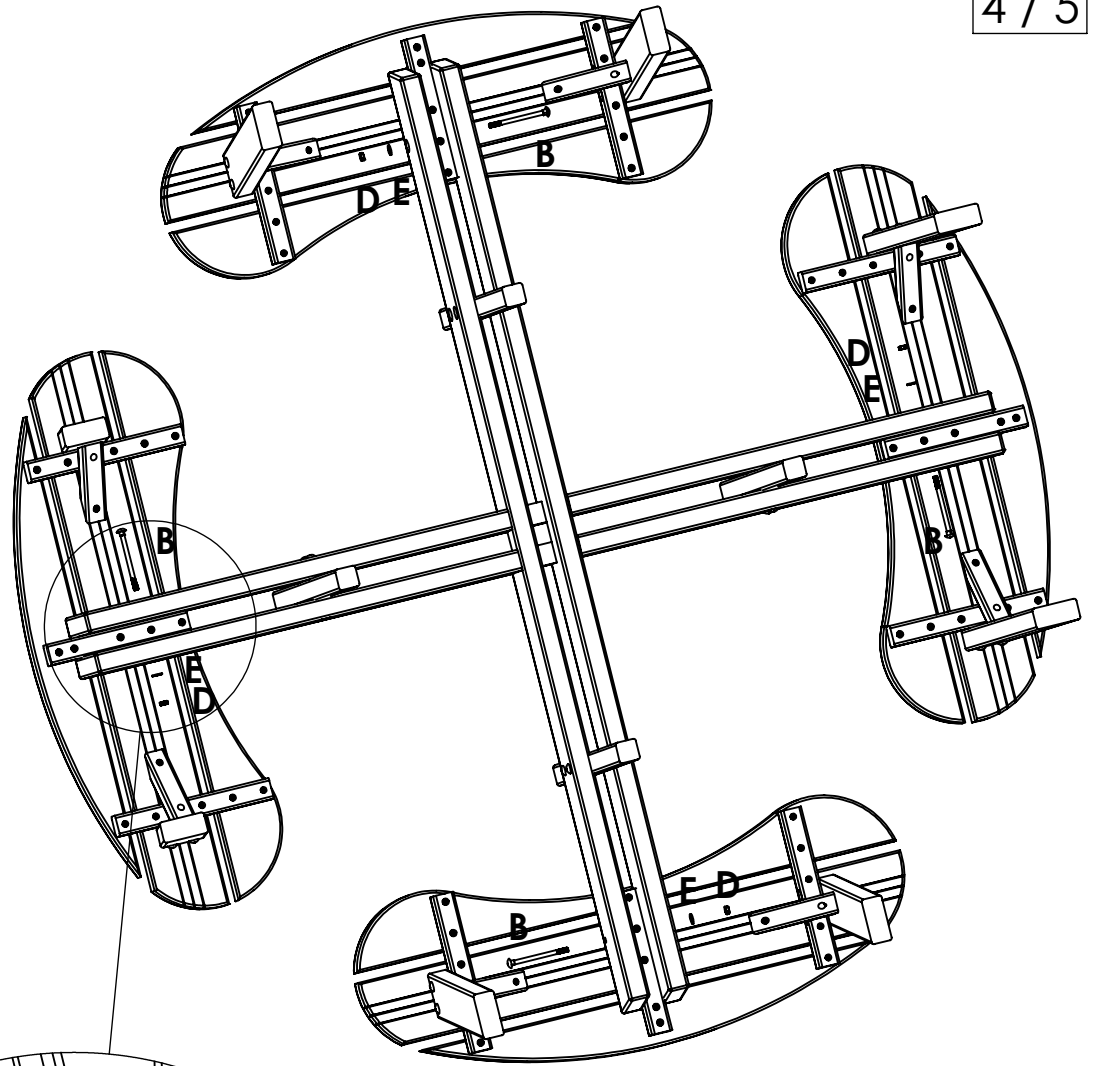



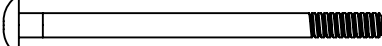


<b>A</b>		<b>M8x80</b>	<b>x4</b>
<b>D</b>		<b>M8</b>	<b>x4</b>
<b>E</b>		<b>M8</b>	<b>x4</b>

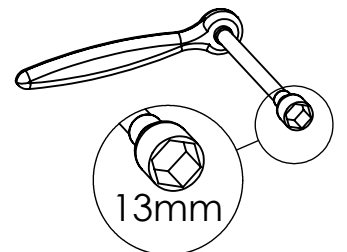
4 x4

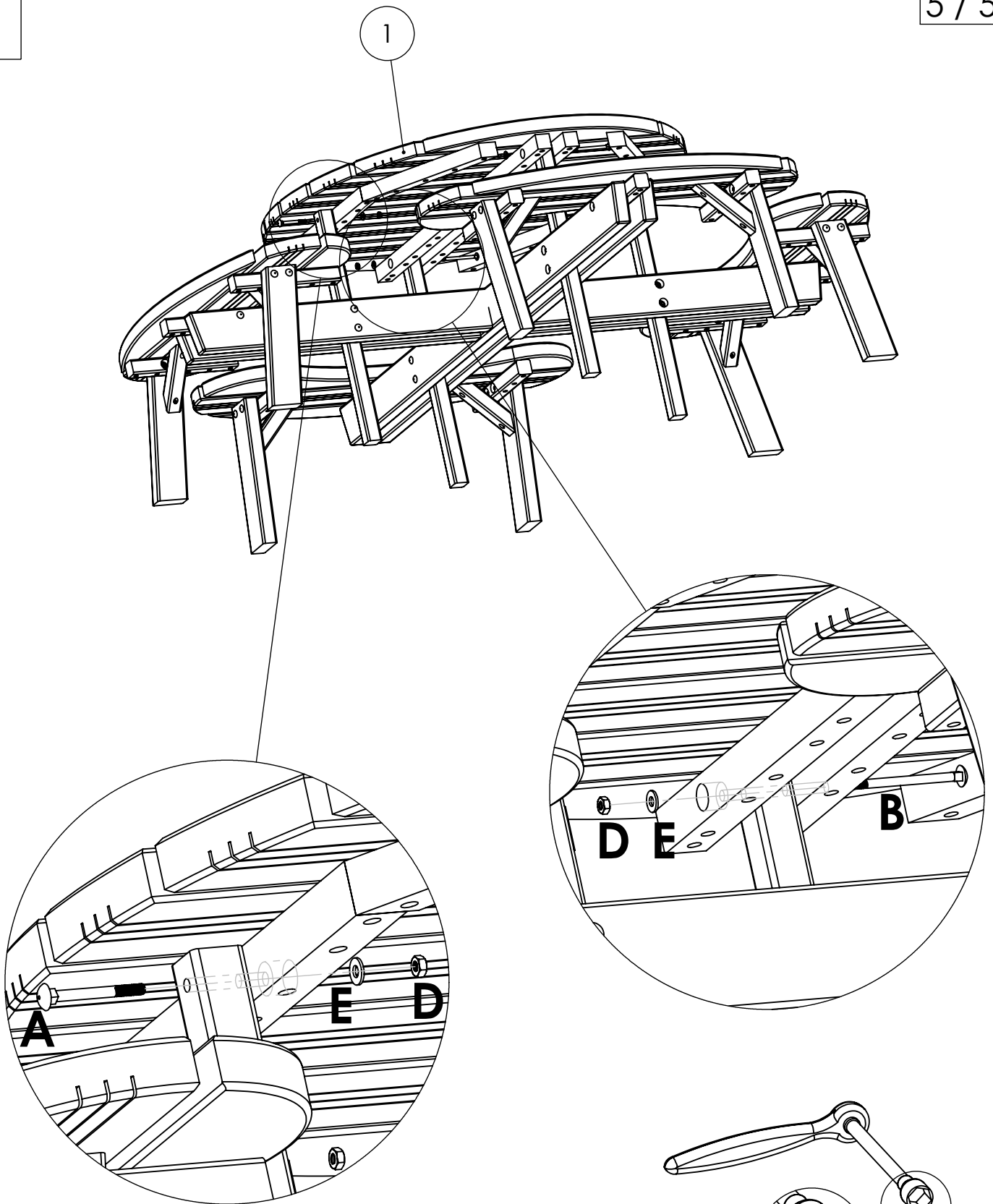


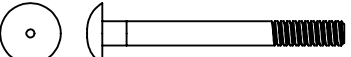
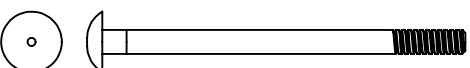


<b>C</b>		<b>5x50</b>	<b>x4</b>
----------	---	-------------	-----------

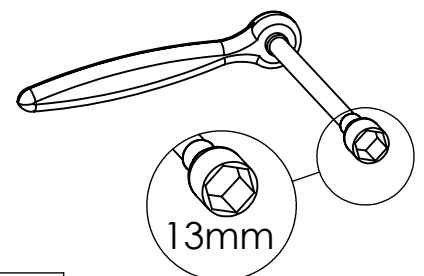


<b>B</b>			<b>M8x120</b>	<b>x4</b>
<b>D</b>			<b>M8</b>	<b>x4</b>
<b>E</b>			<b>M8</b>	<b>x4</b>





<b>A</b>		<b>M8x80</b>	<b>x2</b>
<b>B</b>		<b>M8x120</b>	<b>x2</b>
<b>D</b>		<b>M8</b>	<b>x4</b>
<b>E</b>		<b>M8</b>	<b>x4</b>



13mm