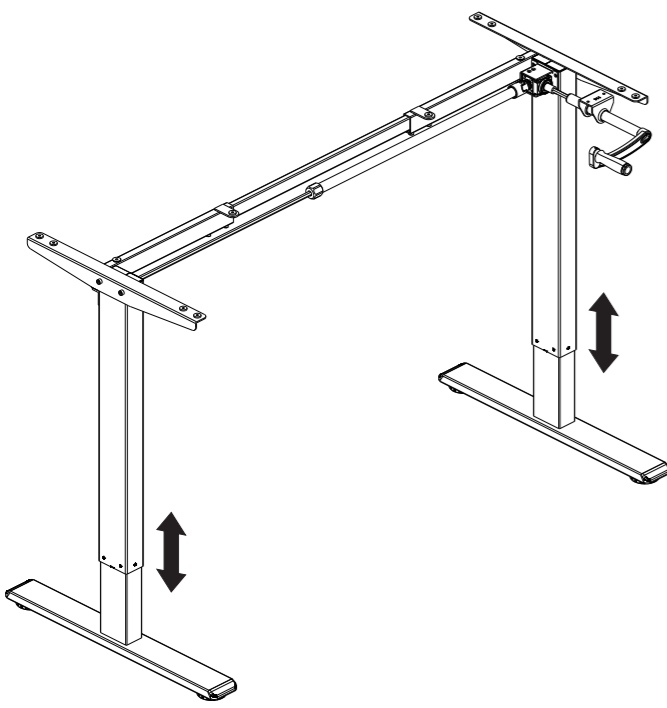


Item No. : Up & Down ECO Installation guide



Technical data

Column Number	2
Maximum Load	70KG
Maximum speed	6mm/Round
Lowest Position	710mm
Highest Position	1210mm
Desktop Size	1000- 1600mm 600- 800mm
Applicable Temperature	0~40°C

Accessory list

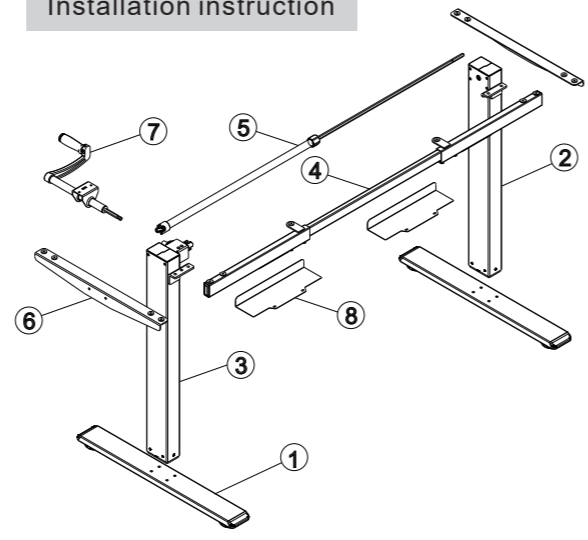
Attention: The drawings below are only for reference which might be slightly different from the actual object, please in kind prevail. Any tools missing or installation problems, please contact the customer service firstly.



Part list

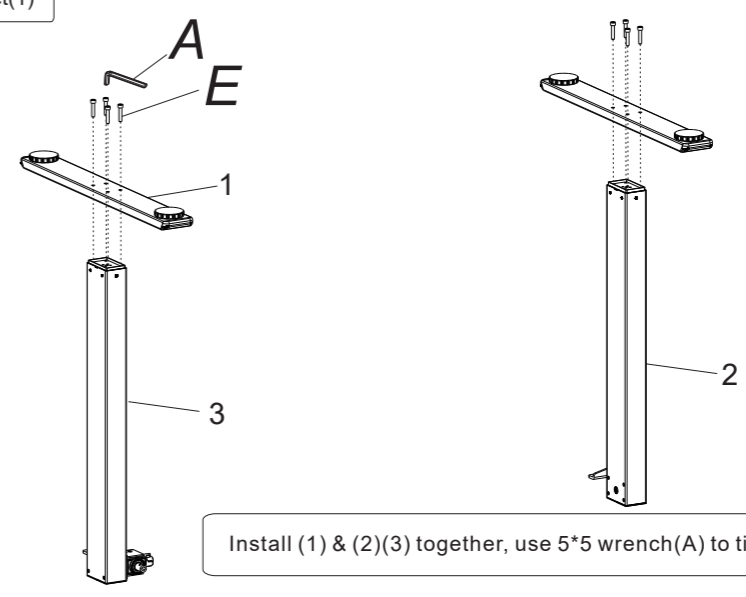
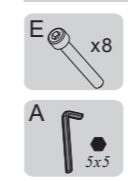
No.	Part	Qty	No.	Part	Qty	No.	Part	Qty
①	Feet	2	②	Column	1	③	Column	1
④	Supporting beam	1	⑤	Transmission rod	1	⑥	Supporting plate	2
⑦	Crank	1	⑧	Baffle	2			

Installation instruction



STEP1

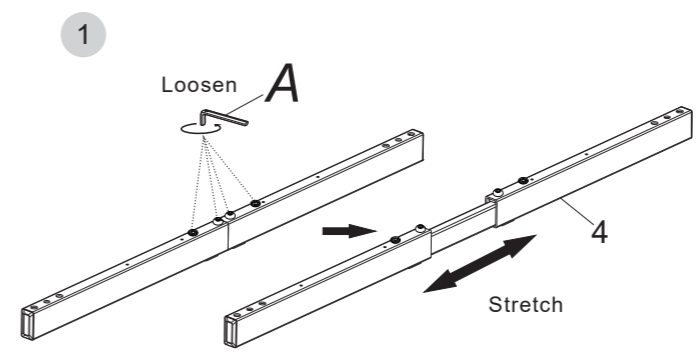
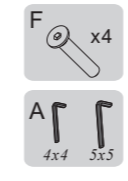
Install Feet(1)



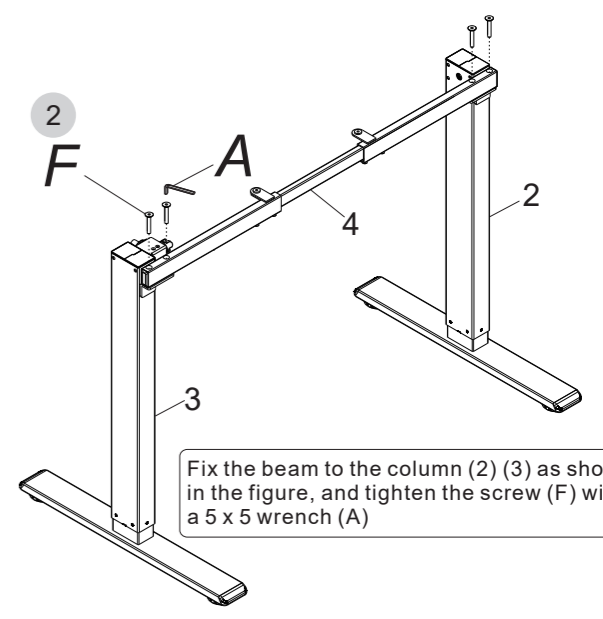
Install (1) & (2)(3) together, use 5*5 wrench(A) to tighten the screws(E).

STEP2

Install Supporting beam(4)



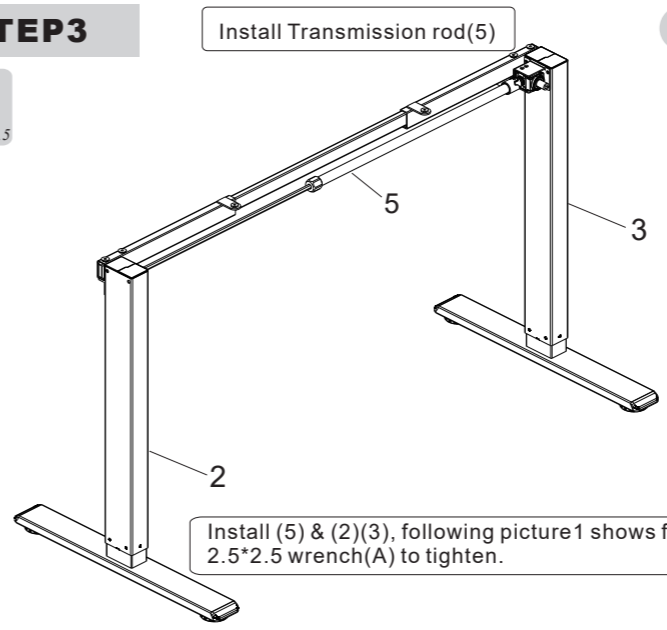
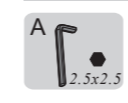
Loosen the 4 screws on the beam (4) with a 4 x 4 wrench (A), and then pull the beam apart



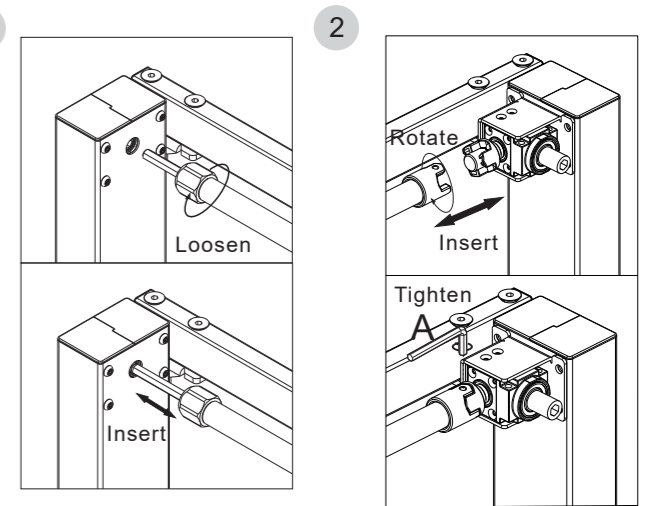
Fix the beam to the column (2) (3) as shown in the figure, and tighten the screw (F) with a 5 x 5 wrench (A)

STEP3

Install Transmission rod(5)



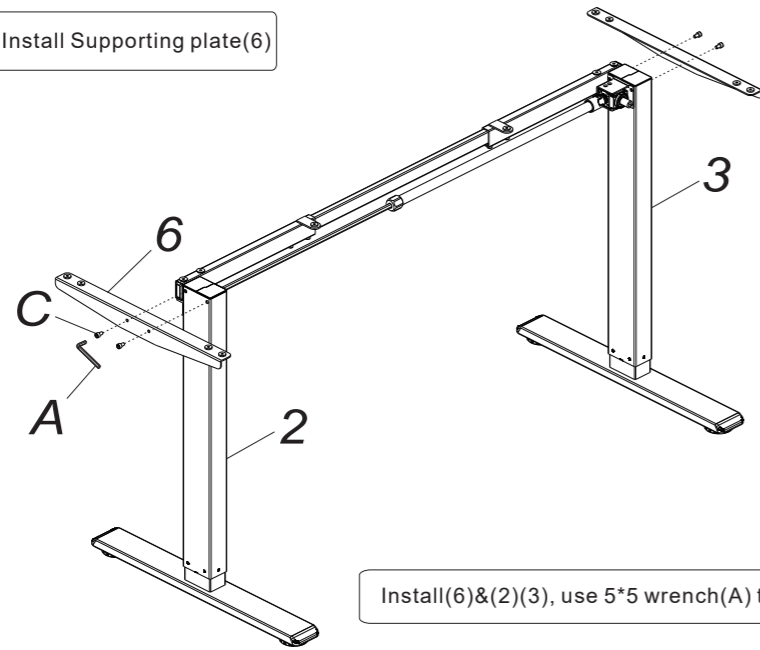
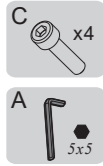
Install (5) & (2)(3), following picture 1 shows first, then picture 2, use 2.5*2.5 wrench(A) to tighten.



! Do not rotate the drive rod more than a third of a turn.

STEP4

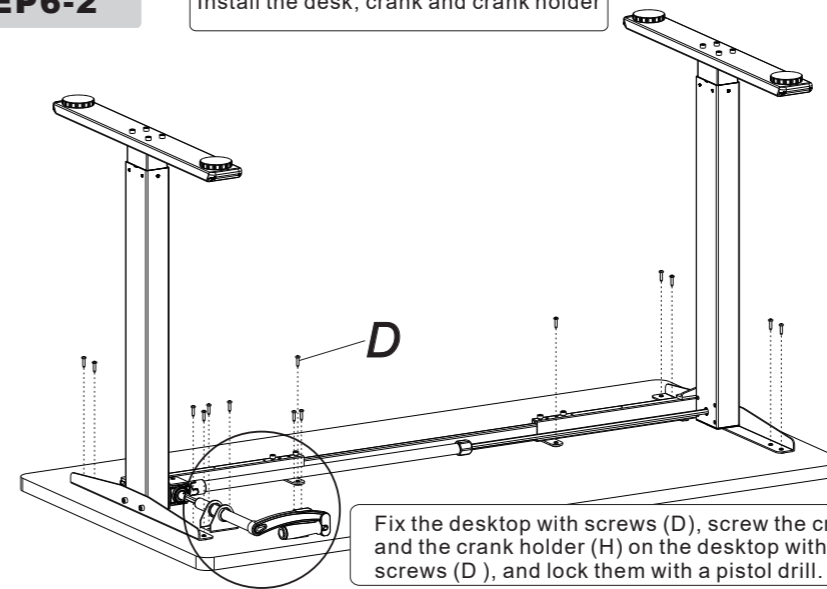
Install Supporting plate(6)



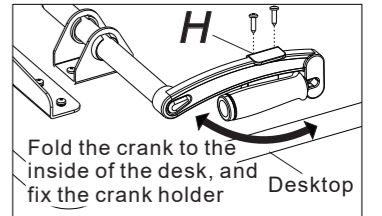
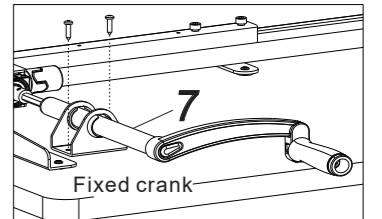
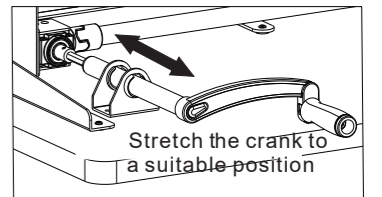
Install(6)&(2)(3), use 5*5 wrench(A) to tighten the screws(C).

STEP6-2

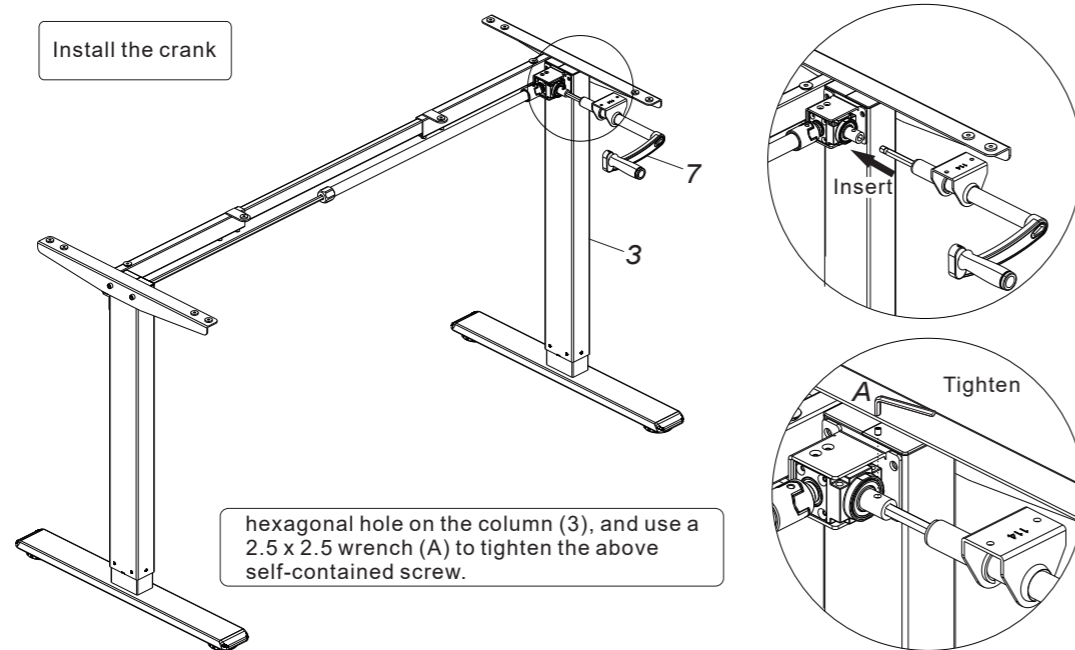
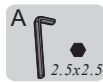
Install the desk, crank and crank holder



Fix the desktop with screws (D), screw the crank (7) and the crank holder (H) on the desktop with screws (D), and lock them with a pistol drill.

**STEP5**

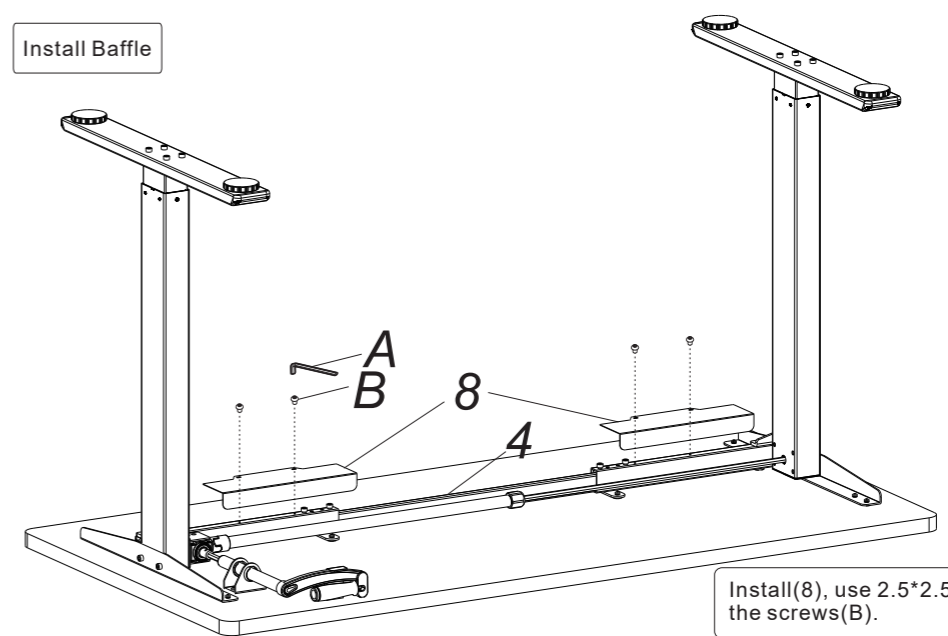
Install the crank



hexagonal hole on the column (3), and use a 2.5 x 2.5 wrench (A) to tighten the above self-contained screw.

STEP7

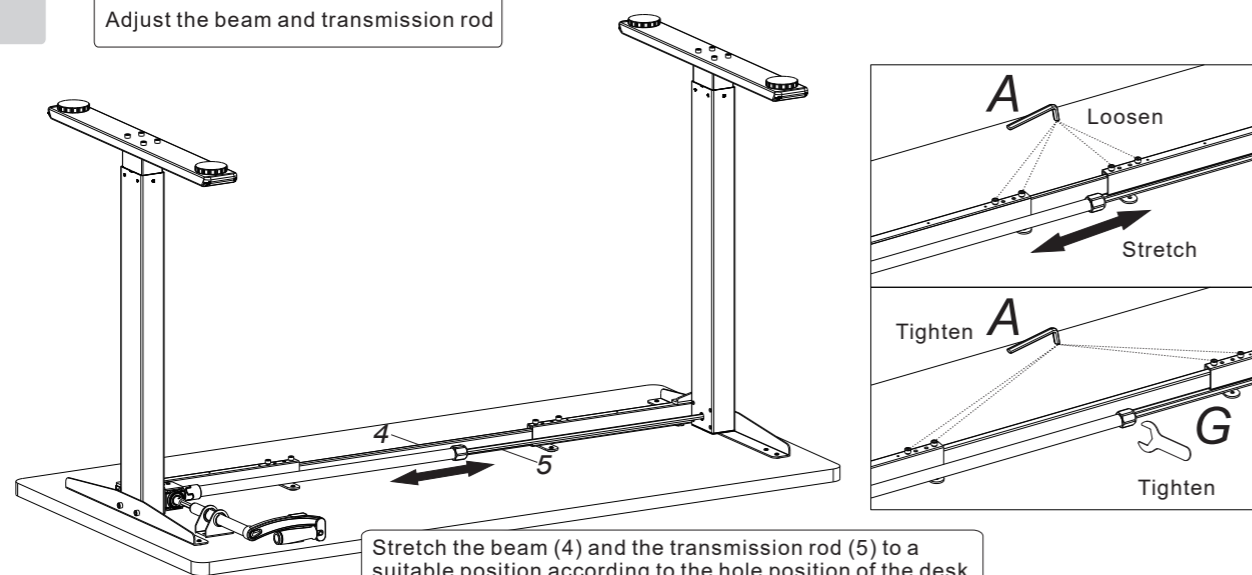
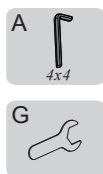
Install Baffle



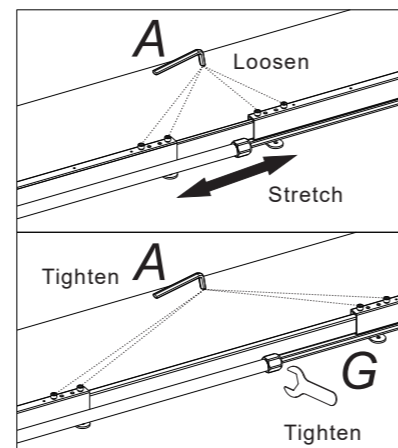
Install(8), use 2.5*2.5 wrench(A) to tighten the screws(B).

STEP6-1

Adjust the beam and transmission rod



Stretch the beam (4) and the transmission rod (5) to a suitable position according to the hole position of the desk.

**Warning**

There's spare parts in the package, which will lead to asphyxia if swallowed by accident. Please keep out of the reach of children for the spare parts.

Make sure you have read and comprehend the manual for installation. Please contact the specialized persons if there's any confusion in the steps.
 Children are forbidden to play on the product because of unforeseen action when playing, so any dangerous consequences caused by this improper action will not be on
 This appliance can be used by children aged from 8 years and above and persons with reduced physical, sensory or mental capabilities or lack of experience and knowledge if they have been given supervision or instruction concerning use of the appliance in a safe way and understand the hazards involved. Children shall not play with the appliance.

Children must not perform cleaning and user maintenance without supervision.
 Please make sure there is no hazard sources in your operating environment. e.g., do not litter the tools around. Always be careful to treat the packaging materials in order to avoid any possible danger, e.g. plastic bag may lead to choking hazard to children.
 Keep the original package of the equipment if necessary in case of the future use in transportation.

ELJ Bordet AB
 Norra Industrigatan 18
 31431 Hyltebruk
 Sweden