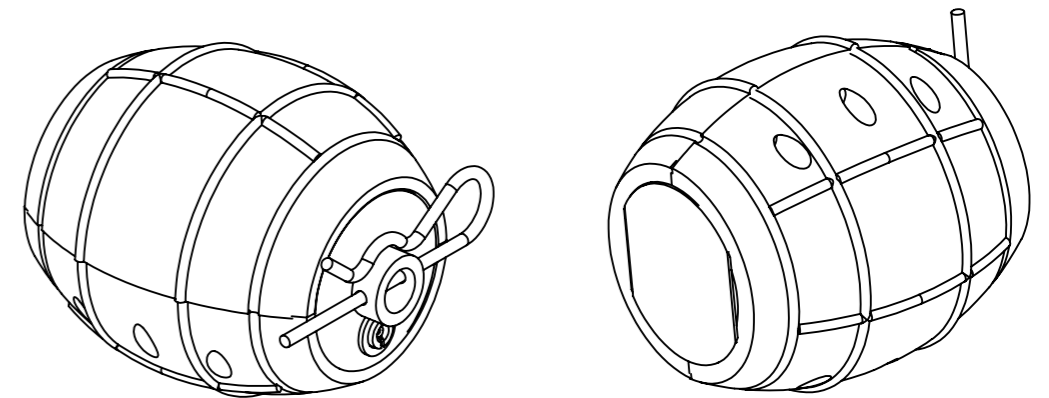
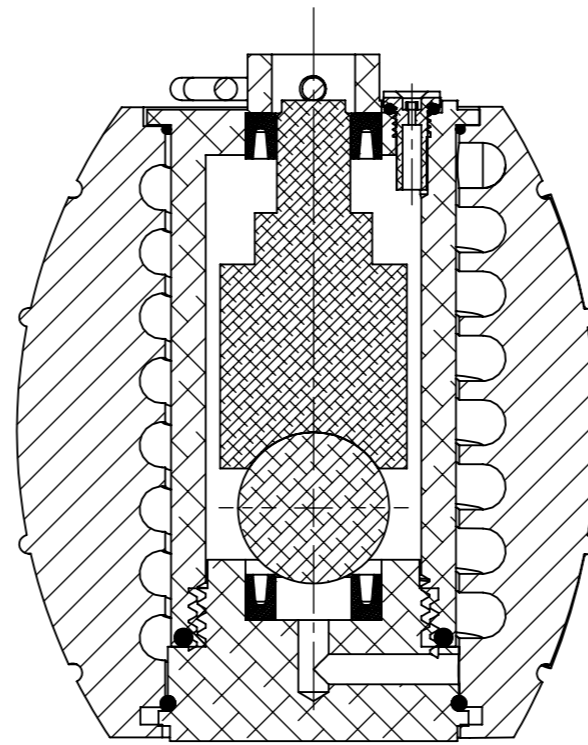
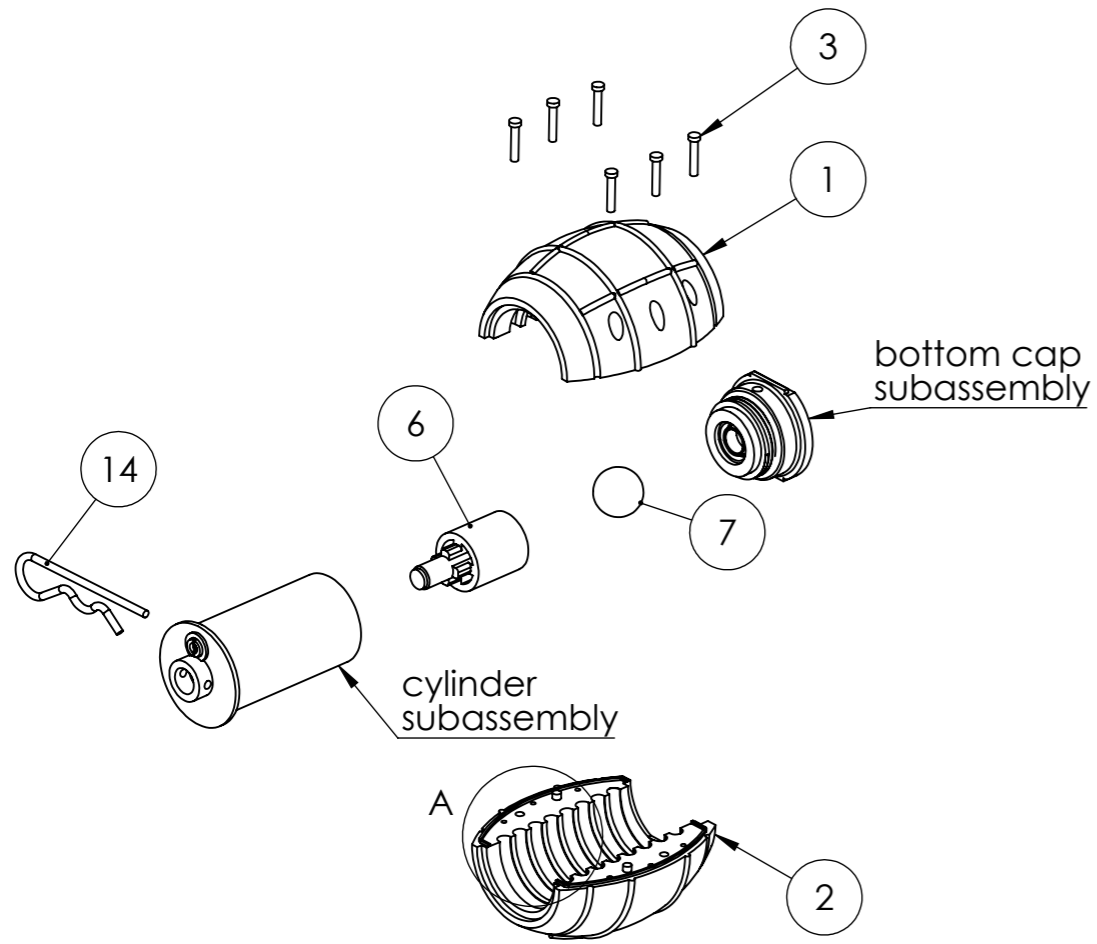
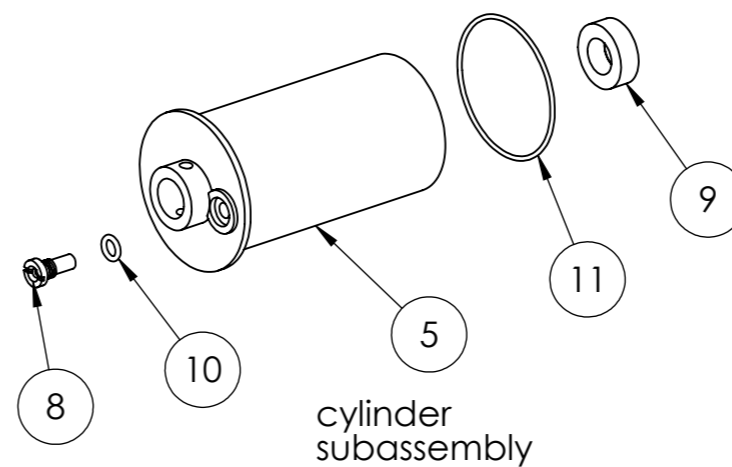
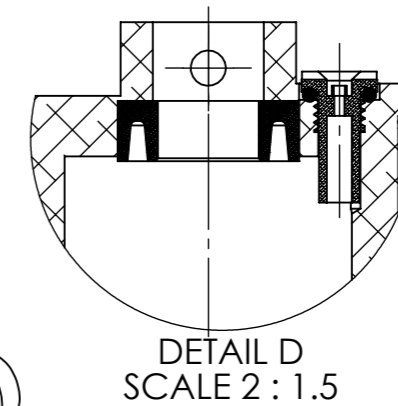
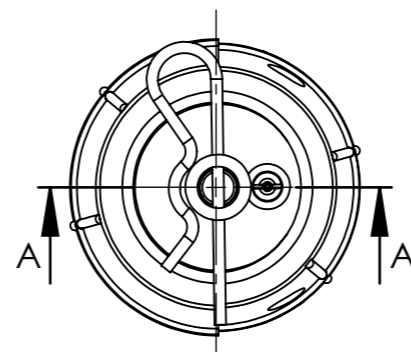
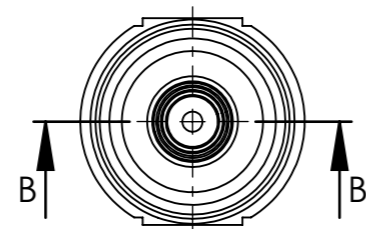
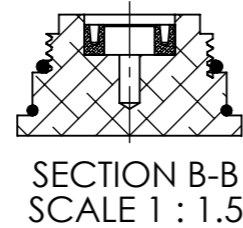
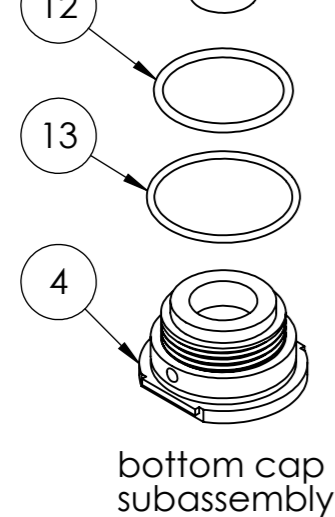
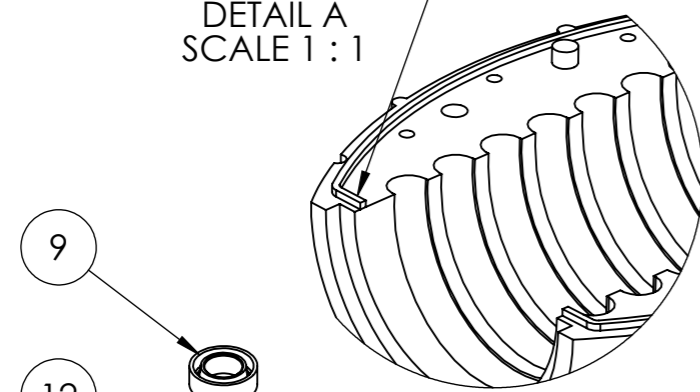


STORM GRENADE 19082 (lime green)

ITEM NO.	DESCRIPTION	QTY.
1	shield 1	1
2	shield 2	1
3	screw M3 x 16 (self-tapping)	6
4	bottom cap	1
5	cylinder	1
6	piston	1
7	ball	1
8	one-way valve	1
9	lip gasket	2
10	O-ring	1
11	O-ring	1
12	O-ring	1
13	O-ring	1
14	safety pin	1



sealing feature
DETAIL A
SCALE 1 : 1



SECTION C-C
SCALE 1 : 1.5

