



## Base-plate for HTI Headend

The BACK-500 base-plate allows to fix mechanically the HTI product range modules, to distribute the supply lines and to communicate the different modules that are inserted in the headend.



Capacity for 5 modules



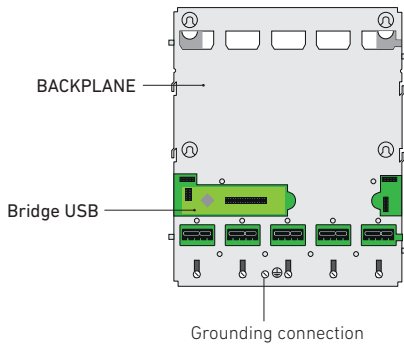
Interconnected base-plate



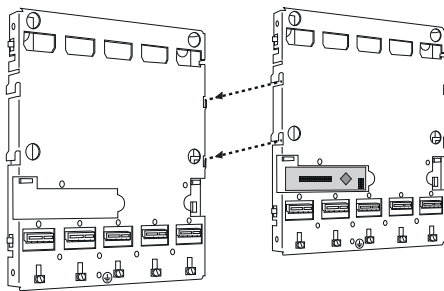
Wall and rack fixing

## Main feature

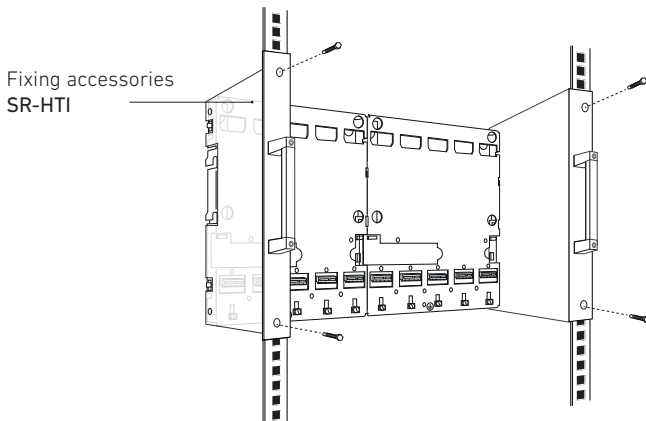
- The base-plate is formed by two parts:
  1. Backplane
  2. USB bridge
- The **backplane** is in charge of fixing the modules, distributing the power supply and carrying the communication lines towards the USB bridge.
- The **USB bridge** is in charge of connection all the modules that are inserted in the base-plate with the master module.
- Interconnected base-plate, does not need alimentionation bridges between modules.
- The base-plate can be fixed to the wall or in a rack frame by means **SR-HTI** of fixing accessories (joining 2 base-plates).



Horizontal joining of two BACK-500 base-plates



Rack 19" fixing for two base-plates (BACK-500) headend installation

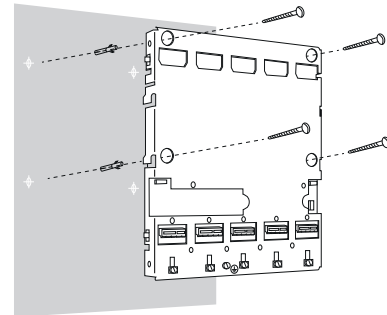


| MODEL             | BACK-500          |
|-------------------|-------------------|
| REF.              | 3866              |
| Number of slots   | 5                 |
| Connectors type   | PCIe              |
| Dimensions - Rack | 210 x 266 x 24 mm |
| Rack units        | 6 U               |
| Packaged weight   | 1 kg              |

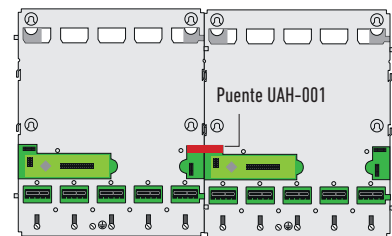
| MODEL | UAH-001 |
|-------|---------|
| REF.  | 3870    |

Bridge for electrical connection between two bases BACK-500

Wall fixing of the base-plate



Electrical connection of two bases by means of a bridge UAH-001



Fitting modules in the base-plate

