

### Features

- Built-in 100v/70v transformer
- Waterproof projector type loudspeaker
- IPx6 waterproof level
- Power output 100W @100V
- Fiber-glass enclosure
- Supreme long distance sound dispersion
- Ideal for park, stadium & train station outdoor use

### Description

The T-2600 is a waterproof stadium horn speaker built-in 70v/100v transformer. The 70v/100v transformer technique reduces line losses on longer distance and allows easy parallel connection of multiple loudspeakers.

The built-in 8" horn speaker driver is designed of wide frequency response 120-18kHz, the rated power output 150W could meet different applications varies from room size and ambient noise surroundings.

The metal enclosure and metal bracket are of black color. Easy and secure wall mount installation through the supplied mounting bracket.

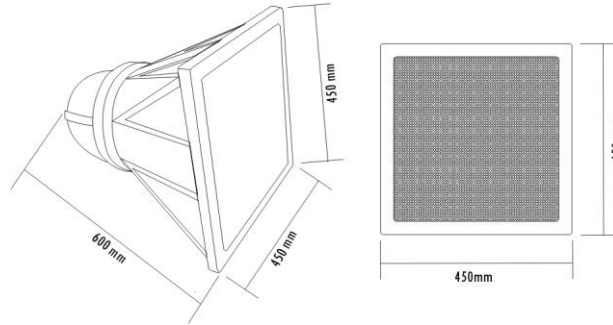
It is ideal choice for industrial and commercial applications in the vast outdoor area of train station, stadium where background music and paging is needed.



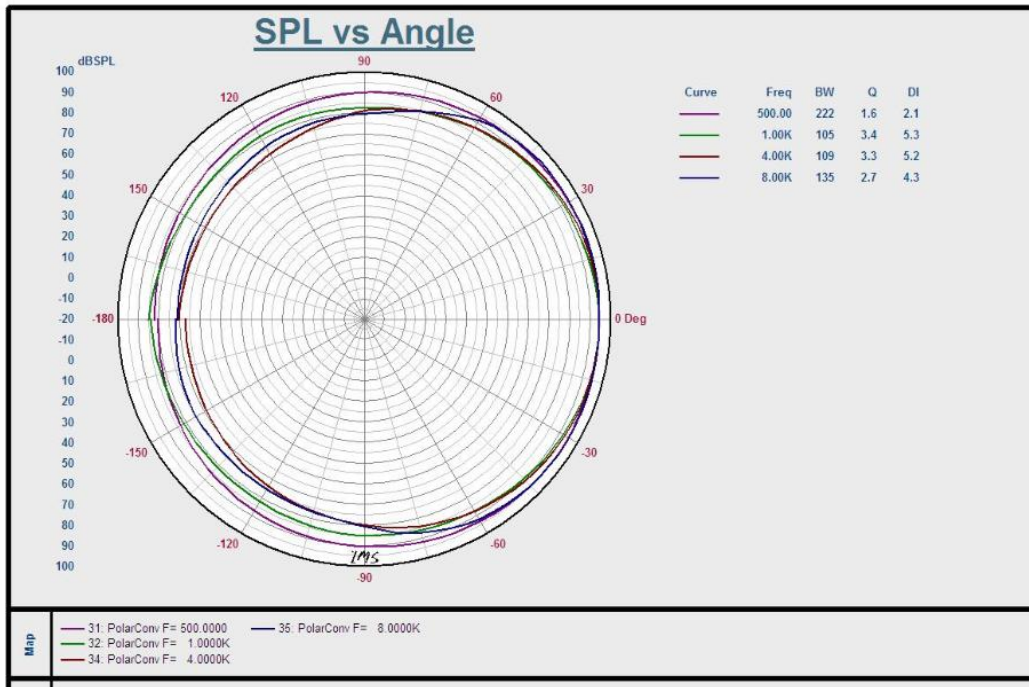
### Specification

Model	T-2600
Power Rating (100V)	100W
Maximum power	200W
Sensitivity	103dB
Impedance	black-COM white-100Ω
Frequency response	120-18KHz
SPEAKER UNIT	8" x 1 1.3" x 1
Waterproofing grade	IP x 6
Size	450 x 450 x 600mm
Weight	35.5Kg
Material\	Organic resin + iron net

Appearance:



Direction Diagram:



Frequency Response:

