

# THF 011

Digital Terrestrial Reception Equipment with analog signal output

Solution to receive MPEG4 (HD or SD) terrestrial channels with analog TVs



Solution for communities and hospitality



DVB-T MPEG4 input signal



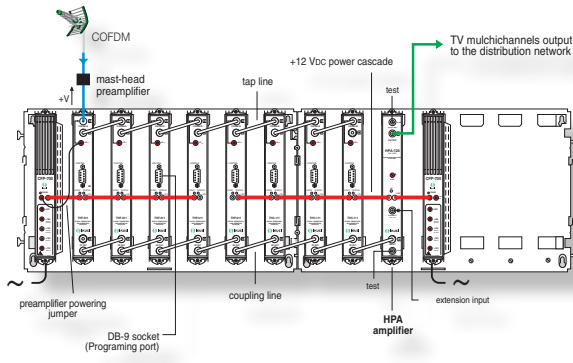
Allows teletext



Analog Signal output

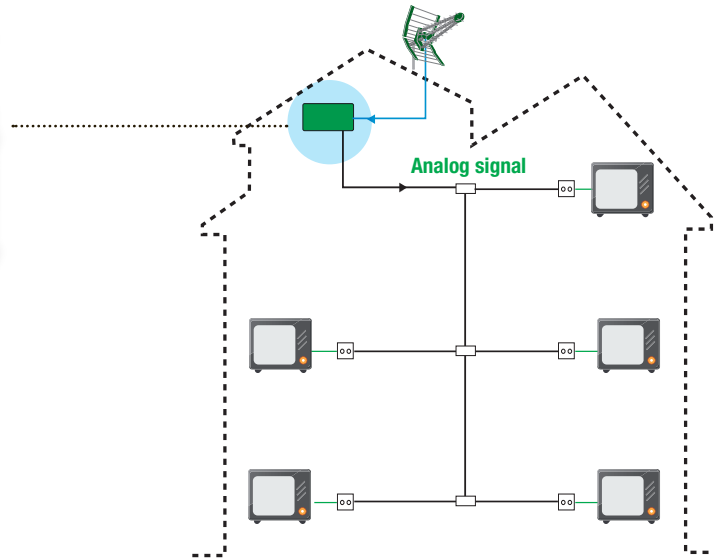


## Application examples



Example of THF headend for eight digital terrestrial TV channels

## DVB-T HD MPEG4



## Main Features

<b>Model</b>	<b>THF-011</b>	
<b>Ref.</b>	<b>4489</b>	
<b>Input section (COFDM)</b>		
Input frequency band	MHz	174-230 / 470-862
Input level	dB $\mu$ V	35 ... 100
Bandwidth	MHz	6 / 7 / 8
<b>Digital processing section</b>		
DVB processing	EN 300 744	
Video decoding	MPEG-4 AVC / H.264 HP@L4 MPEG-2 MP@HL (ISO/IEC 13818-2)	
Audio decoding	MPEG-1 Layer I/II	
Firmware upgrade by user	Yes, RS-232 configuration interface	
<b>Output section (TV channel)</b>		
Frequency band	45 - 862	
Adjustable output level	dB $\mu$ V	65 to 80
Broadband noise	dBc	< -75
Output channel TV system	B / G / D / K / K' / I / L	
Output channel colour system	PAL, SECAM, NTSC	
Output channel audio system	Mono	
Output channel selectable between:	MHz	45 - 862
<b>General</b>		
Supply voltage	V <sub>DC</sub>	+12
max consumption	A	0.90
Dimensions	mm	230 x 170 x 32



### HEADQUARTERS

IKUSI - Ángel Iglesias S.A. · Pº Miramón, 170 · 20009 San Sebastián · SPAIN  
Tel.: +34 943 44 88 00 · Fax: +34 943 44 88 20 · television@ikusi.com · www.ikusi.com

