

4MP Deep Learning IR Fixed Bullet Network Camera

IPC2124SB-ADF28(40)KM-IO



Key Features



Ultra
H.265



Smart

Perimeter Protection, include Cross Line, Intrusion, Enter Area, Leave Area detection

Based on target classification, smart intrusion prevention significantly reduce false alarm caused by leaves, birds and lights etc., accurately focus on human and vehicle.

Optics

Day/night functionality

Smart IR, up to 40m (131ft) IR distance

Optical glass window with higher light transmittance

IR anti-reflection window to increase the infrared transmittance

2D/3D DNR (Digital Noise Reduction)

SD Card

Compression

Ultra 265, H.265, H.264, MJPEG

ROI (Region of Interest)

Network

ONVIF Conformance

Structure

Wide temperature range: -30°C ~ 60°C (-22°F ~ 140°F)

Wide voltage range of ±25%

IP67

3-Axis

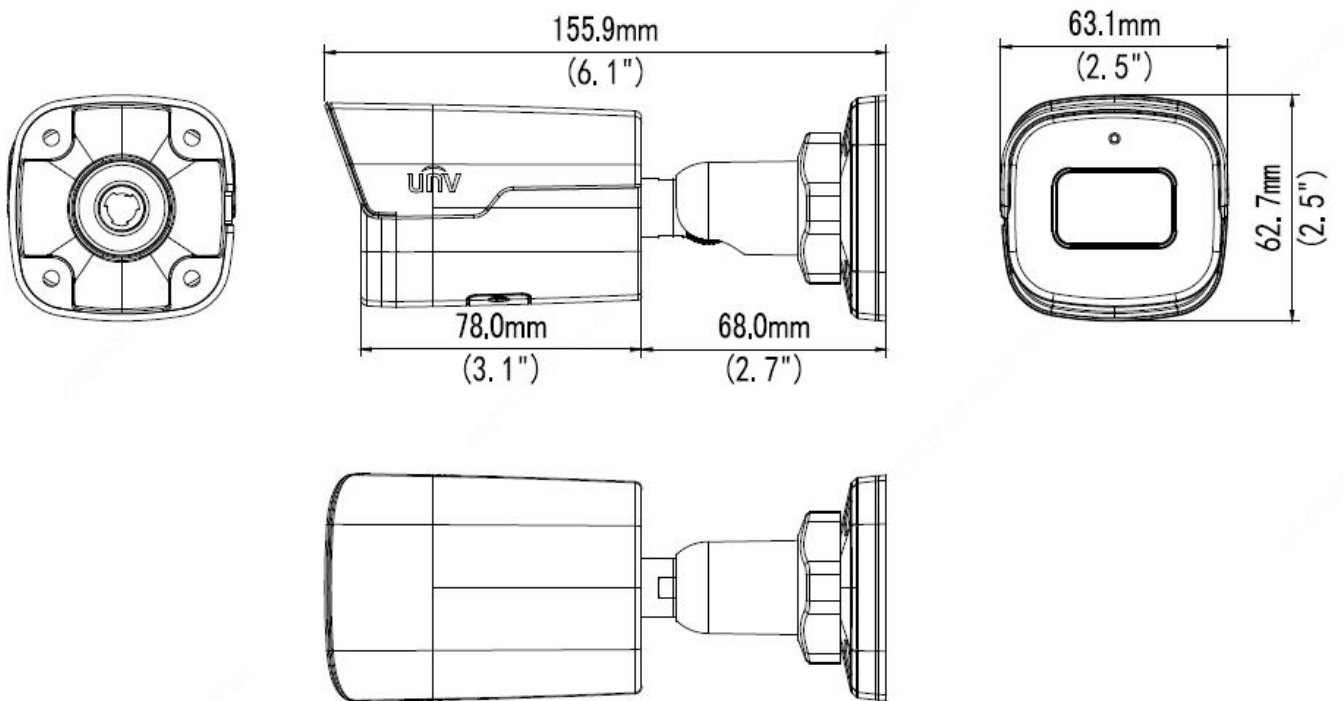
Specifications

| | IPC2124SB-ADF28KM-I0 | IPC2124SB-ADF40KM-I0 | | | |
|-------------------------|--|----------------------|----------------|---------------|-------------------|
| Camera | | | | | |
| Sensor | 1/3", 4.0 megapixel, progressive scan, CMOS | | | | |
| Lens | 2.8mm@F1.6 | | 4.0mm@F1.6 | | |
| DORI Distance | Lens (mm) | Detect (m) | Observe (m) | Recognize (m) | Identify (m) |
| | 2.8 | 63.0 | 25.2 | 12.6 | 6.3 |
| | 4.0 | 90.0 | 36.0 | 18.0 | 9.0 |
| Angle of View (H) | 101.1° | | 83.7° | | |
| Angle of View (V) | 55.3° | | 44.9° | | |
| Angle of View (O) | 111.1° | | 89.2° | | |
| Adjustment angle | Pan: 0° ~ 360° | | Tilt: 0° ~ 90° | | Rotate: 0° ~ 360° |
| Shutter | Auto/Manual, 1 ~ 1/100000s | | | | |
| Minimum Illumination | Colour: 0.003Lux (F1.6, AGC ON) 0Lux with IR on | | | | |
| Digital noise reduction | 2D/3D DNR | | | | |
| Day/Night | IR-cut filter with auto switch (ICR) | | | | |
| S/N | >56dB | | | | |
| IR Range | Up to 40m (131 ft) IR range | | | | |
| Wavelength | 850nm | | | | |
| IR On/Off Control | Auto/Manual | | | | |
| Defog | Digital Defog | | | | |
| WDR | 120dB | | | | |
| Video | | | | | |
| Video Compression | Ultra 265, H.265, H.264, MJPEG | | | | |
| H.264 code profile | Baseline profile, Main Profile, High Profile | | | | |
| Frame Rate | Main Stream: 4MP (2688*1520), Max 30fps; 4MP (2560*1440), Max 30fps; 3MP (2304*1296), Max 25fps; 1080P (1920*1080), Max 30fps; Sub Stream: 720P (1280*720), Max 30fps; D1 (720*576), Max 30fps; 640*360, Max 30fps; 2CIF(704*288), Max 30fps; CIF(352*288), Max 30fps; Third Stream: D1 (720*576), Max 30fps; 640*360, Max 30fps; 2CIF(704*288), Max 30fps; CIF(352*288), Max 30fps; | | | | |

| | |
|--|--|
| Video Bit Rate | 128 Kbps~16 Mbps |
| OSD | Up to 8 OSDs |
| Privacy Mask | Up to 4 areas |
| ROI | Up to 8 areas |
| Motion Detection | Up to 4 areas |
| Image | |
| White Balance | Auto/Outdoor/Fine Tune/Sodium Lamp/Locked/Auto2 |
| Digital noise reduction | 2D/3D DNR |
| Smart IR | Support |
| Flip | Normal/Vertical/Horizontal/180°/90°Clockwise/90°Anti-clockwise |
| Dewarping | Supported |
| HLC | Supported |
| BLC | Supported |
| Audio | |
| Audio Compression | G.711 |
| Suppression | Supported |
| Sampling Rate | 8KHZ |
| Storage | |
| Edge Storage | Micro SD, up to 256GB |
| Network Storage | ANR, NAS(NFS) |
| Smart | |
| Smart intrusion Prevention (Deep Learning Algorithm) | Cross Line, Intrusion, Enter Area, Leave Area detection; |
| Behavior Detection | Motion detection, Tampering alarm |
| Recognition | Audio detection |
| General Function | Watermark, IP Address Filtering, Tampering Alarm, Access Policy, ARP Protection, RTSP Authentication, User Authentication |
| Network | |
| Protocols | IPv4, IGMP, ICMP, ARP, TCP, UDP, DHCP, PPPoE, RTP, RTSP, RTCP, DNS, DDNS, NTP, FTP, UPnP, HTTP, HTTPS, SMTP, 802.1x, SNMP, QoS |
| Compatible Integration | ONVIF (Profile S, Profile G, Profile T), API |
| Client | EZStation EZView EZLive |
| Web Browser | Plug-in required live view: IE9+, Chrome 41 and below, Firefox 52 and below |
| | Plug-in free live view: Chrome 57.0+, Firefox 58.0+, Edge 16+, Safari 11+ |
| Interface | |
| Network | 1 RJ45 10M/100M Base-TX Ethernet |
| Built-in Mic | Supported |
| Certifications | |
| Certifications | CE: EN 60950-1 UL: UL60950-1 FCC: FCC Part 15 |
| General | |
| Power | DC 12V±25%, PoE (IEEE 802.3af) |
| | Power consumption: Max 5.0W |

| | |
|------------------------|--|
| Dimensions (L × W × H) | 155.9 × 63.1 × 62.7mm (6.1" × 2.5" × 2.5") |
| Net Weight | 0.425kg (0.93lb) |
| Material | Metal |
| Working Environment | -30°C ~ 60°C (-22°F ~ 140°F), Humidity: ≤95% RH (non-condensing) |
| Storage Environment | -30°C ~ 60°C (-22°F ~ 140°F), Humidity: ≤95% RH (non-condensing) |
| Surge Protection | 2KV |
| Ingress Protection | IP67 |

Dimensions



Accessories

TR-UP06-B-IN



TR-JB05-A-IN



TR-UP06-C-IN



TR-A01-IN



Zhejiang Uniview Technologies Co., Ltd.

Building No.10, Wanlun Science Park, Jiangling Road 88, Binjiang District, Hangzhou, Zhejiang, China (310051)

Email: overseasbusiness@uniview.com; globalsupport@uniview.com

<http://www.uniview.com>

©2020 Zhejiang Uniview Technologies Co., Ltd. All rights reserved.

*Product specifications and availability are subject to change without notice.