



# WI-POE51-48V

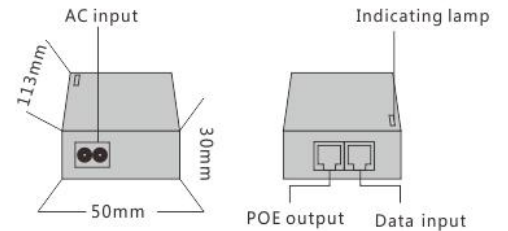
## 48V Gigabit PoE Injector

### Data sheet

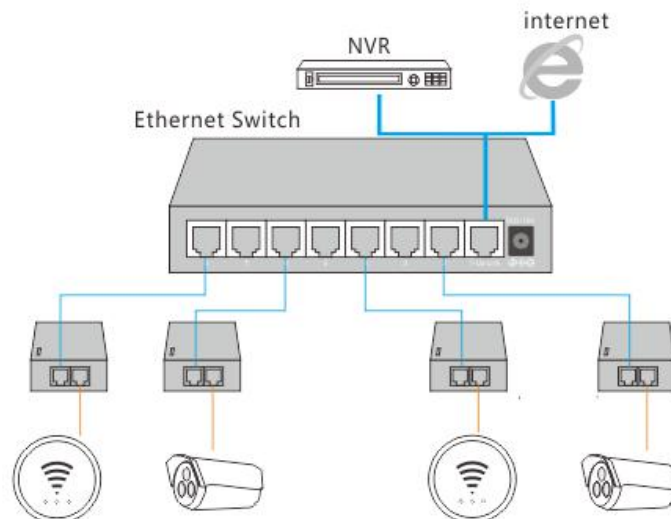


## Highlights

- 2\*1000Mbps RJ45 Ports with 1 PoE
- IEEE 802.3af/at compliant
- Delivers power up to 100 meters
- Auto-determine the necessary power requirements
- Plug-and-Play, requires no configuration
- External power adapter supply



## Typical Applications



## Description

### what this product does

The PoE Injector WI-POE51 fully complies with IEEE 802.3af/at standard, and can work with all IEEE 802.3af/at PoE compliant PDs (Powered Devices) or PoE Splitter, or other

equivalent product, to expand your network to where there are no power line or outlet, where you wish to fix device such as AP, IP Camera or IP Phone, etc..

## Specifications

HARDWARE FEATURES	
<b>Interface</b>	2 100/1000Mbps RJ45 Ports
<b>Network Media</b>	10BASE-T: UTP category 3, 4, 5 cable (Max 100m) EIA/TIA-568 100Ω STP (Max 100m) 100BASE-TX: UTP category 5, 5e cable (Max 100m) EIA/TIA-568 100Ω STP (Max 100m) 1000BASE-T: UTP category 5, 5e, 6 cable (Max 100m)
<b>Fan Quantity</b>	Fanless
<b>PoE PIN</b>	4,5+ 7,8- or 1,2+ 3,6-
<b>PoE Consumption</b>	48V 30W
<b>LED Indicator</b>	PWR
<b>Dimensions ( W x D x H )</b>	113*50*30 mm
<b>Backbound Bandwidth</b>	2Gbps

SOFTWARE FEATURES	
<b>Transmission Method</b>	Store-And-Forward
<b>Advanced Functions</b>	Priority Function Mac Address Auto-Learning And Auto-Aging Store and forward IEEE 802.3x flow control for Full-duplex Mode Backpressure for Half-duplex Mode

OTHERS	
<b>Certification</b>	CE, FCC, RoHS
<b>Package Contents</b>	POE Switch Electric Line Guide Book/Warranty Card
<b>Environment</b>	Operating Temperature: -10°C~55°C