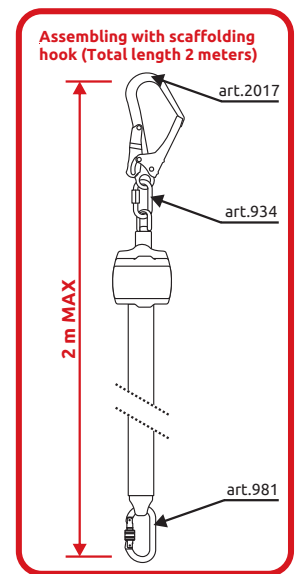
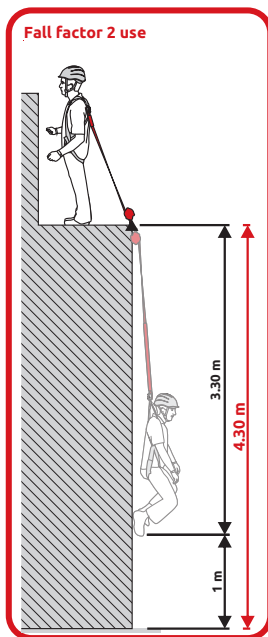
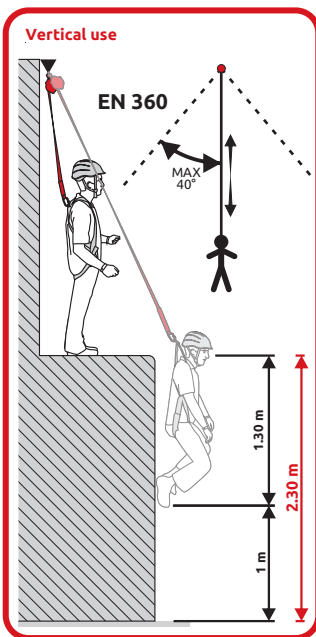
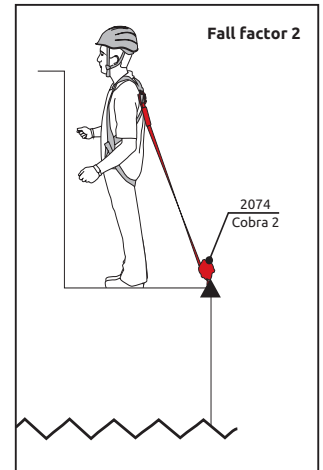
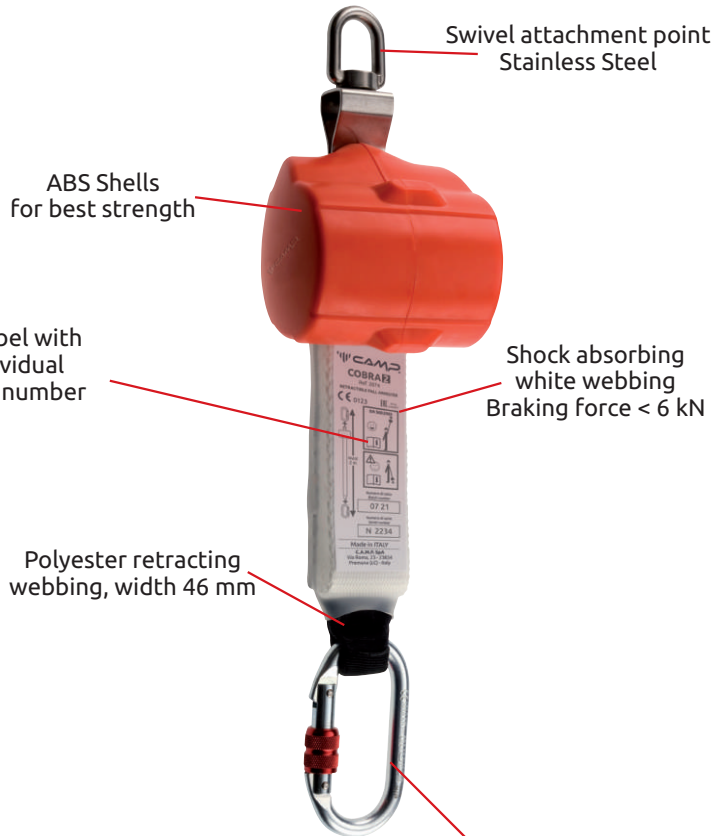
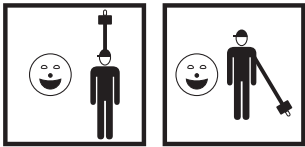


Self-retracting fall arrester certified for use overhead or at foot level with fall factor up to 2. Maximum length of 165 cm without connectors (200 cm is the maximum allowed length with connectors). 46 mm polyester webbing with a breaking strength of 15 kN is protected by a durable ABS cover. Complete with locking steel connector and integrated shock absorber.



Ref.	Product name	Weight			CE	EAC
		kg	lb	oz		
2074	COBRA 2 m	1.025	2	4	EN 360	•