

Aluminum alloy carabiner with a unique circular symmetrical body and wide gate opening specifically designed for use with knots and rope maneuvers.

SphereLock closure prevents snagging during use and increases safety.

Equipped with a internal gate that prevents rotation of the carabiner.

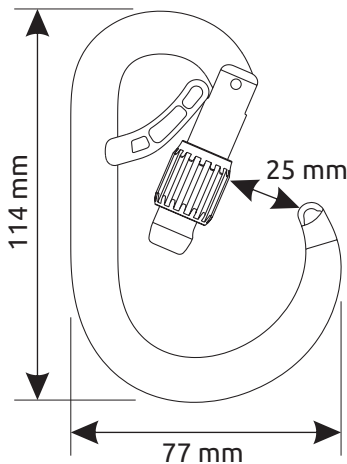
Screw gate locking system with closure indicator.



Screw gate locking system with closure indicator.

Patented SphereLock closure prevents snagging during use and increase safety.

Proprietary internal gate that prevents rotation of the carabiner



Ref.	Product name	Weight								CE		EAC
		g	oz	kN	kN	kN	mm	mm	mm	EN 12275	EN 362	
2926	CORE BELAY LOCK	84	3.0	22	11	6	25	114	77	H	B	•