



Rail safety system

# TAURUS

## Horizontal

Rail system for horizontal use



+43 7619 22 1 22 - 0

+49 271 23 41 94 - 0

+43 564 16 9 042 - 0

---

office@innotech.at

www.innotech.at

---

Laizing 10

A 4656 Kirchham

## TAURUS-HORIZONTAL

Rail system for horizontal use

The TAURUS HORIZONTAL rail system is used wherever movements along a horizontally running pathway need to be protected from a fall risk. Regardless whether along roofs, facades, for overhead use, in industry or in connection with photovoltaic systems, it protects against falls from height, up to an inclination of 5°. A further significant benefit of the horizontal rail system is the flexibility in positioning of anchor points for the rope access method. This is an access process for activities such as installation and cleaning tasks in locations which are difficult to reach. By means of this method, users can position themselves at specific points on a building structure by using ropes and the appropriate safety system, in order to carry out the necessary tasks there.

### BENEFITS

- Great flexibility provided by the fastening option to a multiplicity of substructures (concrete, steel, wood, PV substructures, etc).
- Reduced installation effort because of rail fastener separations up to 5 m.
- Perfect mobility in the system thanks to the sliders specially developed for horizontal use (2 of them are removable).
- Simplification of rope access processes thanks to the variable anchor points (sliders) along the run of rail.



New fasteners for Aerocompact, Novotegra and K2 now available

# Technical product description

The TAURUS system consists of high-quality alloyed aluminium rails. This rail, in combination with the various individual components, such as the specially developed connectors (optionally also with expansion compensation), end units, entry elements, and the individually adaptable curve elements, combine to create a harmonised system. The system can be attached to a large number of substructures. It is also compatible with many INNOTECH anchor points.



## TECHNICAL BENEFITS

### Rope access method

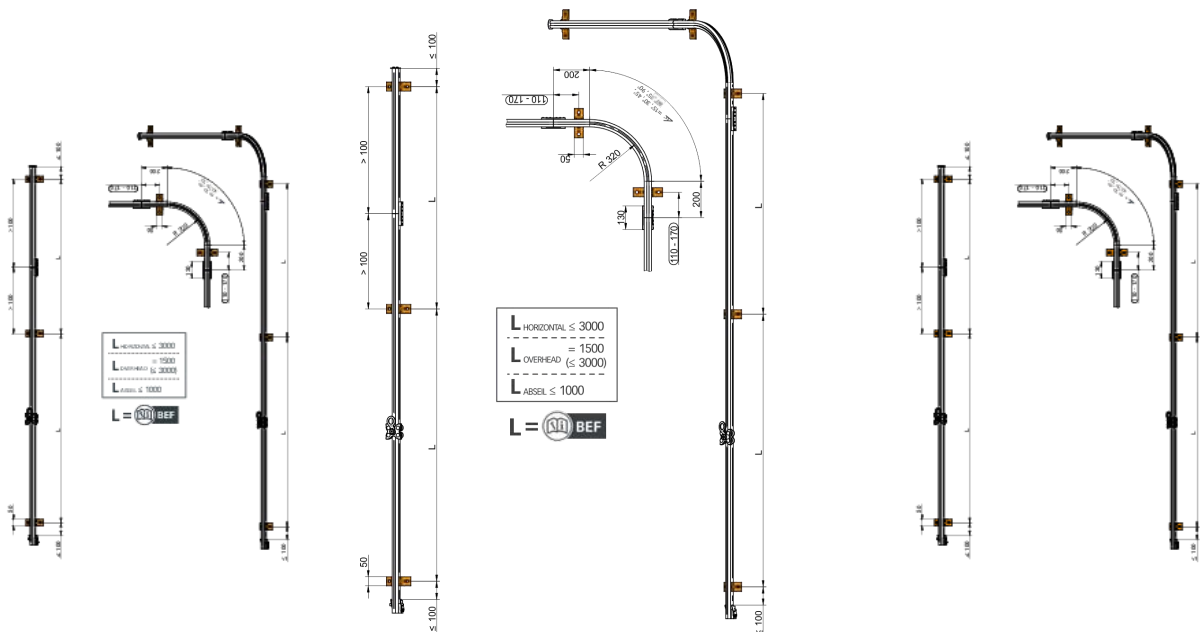
With a reduced fastening distance of 1 metre maximum, the TAURUS HORIZONTAL rail system is also certified for the rope access method.

### Reduction of installation effort

When used as fall protection, a fastening separation of 3 metres applies. With additional appropriate measures, fastening distances up to 5 metres can be achieved, and in financial terms this has a positive effect on the whole installation process.

### Detachable sliders

The standard slider models ensure optimum mobility in the system. In addition to the standard products, a series of HO sliders suitable for the system is also available. These are sliders which can be fitted and removed at any time anywhere along the whole run of rail.



## State of the art certification:

EN 795 TYP D  
CEN/TS 16415  
DIBt

## Components

### TAURUS-TYP-10

Rating plate TYP-10 for horizontal rail system

**Dimensions:** 160 x 92 mm  
**Material:** stainless steel (AISI 316), plastic for identifying a horizontal rail system  
 Various fastening options!



### TAURUS-TYP-11

Rating plate TYP-11 for horizontal rail system

**Dimensions:** 160 x 92 mm  
**Material:** stainless steel (AISI 316), plastic for identifying a horizontal, self supporting rail system  
 Various fastening options!



### TAURUS-TYP-40

Rating plate TYP-40 for Allround rail system

**Dimensions:** 160 x 92 mm  
**Material:** stainless steel (AISI 316), plastic for identifying an all-round rail system (vertical and horizontal)  
 Various fastening options!



### SOPV-K2-TYP-TAURUS

Rating plate for TAURUS on K2 SYSTEMS

New

**Dimensions:** 150 x 82 mm  
**Material:** stainless steel (AISI 316), plastic for identifying a horizontal rail system on K2 SYSTEMS



### SOPV-NOVO-TYP-TAURUS

Rating plate for TAURUS on NOVOTEGRA flat roof 2 base rail

New

**Dimensions:** 150 x 82 mm  
**Material:** stainless steel (AISI 316), plastic for identifying a horizontal rail system on NOVOTEGRA flat roof 2 base rail



### SOPV-AERO-TYP-TAURUS

Rating plate for TAURUS on AEROCOMPACT

New

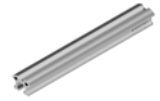
**Dimensions:** 150 x 82 mm  
**Material:** stainless steel (AISI 316), plastic for identifying a horizontal rail system on AEROCOMPACT



### TAURUS-RAIL-10

Rail RAIL-10 for rail system

**Length:** 3000 / 6000 mm  
**Material:** aluminium rail element with a straight run



### TAURUS-RAIL-20

Rail curve RAIL-20 for rail system

**Inclination:** 15°, 30°, 45°, 60°, 75°, 90°  
**Material:** aluminium  
 Always install rail fastening (TAURUS-BEF) on the rail curved corner!



### TAURUS-RAIL-30

Outer rail bend RAIL-30 for rail systems

**Inclination:** 90°  
**Material:** aluminium rail element for vertical and horizontal (facade) usage  
 Always install rail fastening (TAURUS-BEF) on the rail curved corner!



### TAURUS-RAIL-40

Inner rail bend RAIL-40 for rail systems

**Inclination:** 90°  
**Material:** aluminium rail element for vertical and horizontal (facade) usage  
 Always install rail fastening (TAURUS-BEF) on the rail curved corner!



### TAURUS-VB-10

Rail connector VB-10 for rail systems

**Packaging unit:** 1 piece / 5 pieces  
**Material:** aluminium connecting element for alignment of two TAURUS-RAIL elements



### TAURUS-VB-11

Connector VB-11

**Packaging unit:** 1 Stück  
**Material:** aluminium Connector for two TAURUS-RAIL- rail elements with elongation adjustment



## Components

### TAURUS-VB-12

Rail connection VB-12 for rail systems

**Packaging unit:** 2 pieces / 10 pieces

**Material:** galvanised steel  
for the alignment of two TAURUS-RAIL elements  
rail connection must only be used together with  
TAURUS-BEF-12!



### TAURUS-VB-13

Tension pin TAURUS-VB-13

**Material:** stainless steel V2A  
Tension pin for Taurus 5m



### TAURUS-EA-10

Rail end closure EA-10 for rail systems

**Material:** stainless steel (AISI 304)  
no access to the system possible (end of the rail)



### TAURUS-EA-11

Rail end closure EA-11 for rail systems

**Material:** stainless steel (AISI 304), aluminium  
To step-in and step-out of TAURUS-GLEIT!



## Accessory items

### TAURUS-BEF-10

Rail fastener BEF-10 for rail systems

**Mountable on:** concrete, facade, steel construction

**Packaging unit:** 1 piece / 5 pieces

**Material:** aluminium  
for fastening TAURUS-RAIL on concrete, facade and  
steel construction



### TAURUS-BEF-12

Rail fastener BEF-12 for rail systems

**Mountable on:** steel construction

**Packaging unit:** 5 pieces

**Material:** stainless steel (AISI 304)  
for fastening TAURUS-RAIL on steel construction



### TAURUS-BEF-13

Rail fastener BEF-13 for rail systems

**Mountable on:** steel construction

**Packaging unit:** 5 pieces

**Material:** stainless steel (AISI 304)  
for fastening TAURUS-RAIL on steel construction



# Accessory items

## TAURUS-BEF-20

Rail fastener BEF-20 for rail systems

**Mountable on:** concrete, facade  
**Through boreholes:** 120 mm  
**For mounting on concrete:** 2 pcs. of adhesive anchors  
**Minimum drill depth for concrete:** 100 mm  
**Material:** stainless steel (AISI 304)  
 for fastening TAURUS-RAIL on concrete and facade



## TAURUS-BEF-21

Rail fastener BEF-21 for rail systems

**Substructure:** concrete, steel construction  
**Installation depth concrete:** min. 125 mm  
**Material:** stainless steel V2A (AISI 304)  
 to attach the TAURUS-RAIL on to concrete and steel construction



## TAURUS-BEF-30

Rail fastener BEF-30 for rail systems

**Mountable on:** STA post, concrete  
**Material:** stainless steel (AISI 304)  
 for fastening TAURUS-RAIL on STA post



## TAURUS-BEF-41

Rail fastener BEF-41 for rail systems

**Mountable on:** wood (min. 16/16 cm and accordingly the instruction manual)  
**Material:** stainless steel (AISI 304)  
 for attaching TAURUS-RAIL to wood



## SOPV-K2-TAURUS-SET-10

New

Fastening set for Taurus on K2 SYSTEMS BasicRail

**Length:** 1995 mm  
**Material:** aluminum, stainless steel  
 For module widths of 1448-1779mm.



## SOPV-K2-TAURUS-SET-11

New

Fastening set for Taurus on K2 SYSTEMS BasicRail

**Length:** 2365 mm  
**Material:** aluminum, stainless steel  
 For module widths of 1780-2150 mm.



## SOPV-K2-TAURUS-SET-20

New

Fastening set for Taurus on K2 SYSTEMS BasicRail

**Material:** aluminum, stainless steel



## SOPV-K2-TAURUS-SET-30

New

Fastening set for Taurus on K2 SYSTEMS BasicRail

**Length:** 1995 mm  
**Material:** aluminum, stainless steel  
 For module widths of 1448-1779mm.



## SOPV-K2-TAURUS-SET-31

New

Fastening set for Taurus on K2 SYSTEMS BasicRail

**Length:** 2365 mm  
**Material:** aluminum, stainless steel  
 For module widths of 1780-2150 mm.



## SOPV-NOVO-TAURUS-SET-10

New

Fastening set for Taurus on NOVOTEGRA flat roof 2 base rail

**Material:** aluminum, stainless steel



## SOPV-K2-TAURUS-SET-30

New

Fastening set for Taurus on NOVOTEGRA flat roof 2 base rail

**Material:** aluminum, stainless steel



## SOPV-K2-TAURUS-SET-10

New

Fastening set for Taurus on AEROCOMPACT SN 2 / SN2+

**Length:** 1995 mm  
**Material:** aluminum, stainless steel  
 For module widths of 1448-1779mm.



## Accessory items

### SOPV-AERO-TAURUS-SET-11

New

Fastening set for Taurus on AEROCOMPACT SN 2 / SN2+

Length: 1995 mm

Material: aluminum, stainless steel  
For module widths of 1448-1779mm.



### SOPV-AERO-TAURUS-SET-20

New

Fastening set for Taurus on AEROCOMPACT SN 2 / SN2+

Material: aluminum, stainless steel



### SOPV-AERO-VB-SET-10

New

Connector for sliding base on AEROCOMPACT SN 2 / SN2+

Material: aluminum, stainless steel



### TAURUS-Z-92

Drilling template TAURUS-Z-91

Material: stainless steel V2A (AISI 304), steel, aluminium  
Drilling template for TAURUS-VB-11



### TAURUS-Z-91

Drilling template TAURUS-Z-91

Material: stainless steel V2A (AISI 304), steel  
Drilling template for Taurus 5m



### TAURUS-DW-10

Turntable gate DW-10 for rail systems

Material: aluminium, stainless steel (AISI 304)  
Star handle for an additional rail access (T-application, 2x90°).

Can be realised as access|exit element in combination with TAURUS-EA-11 without interrupting the rail track.



### TAURUS-GLEIT-H-11

Slider H-11 for rail systems

Inclination range: +/- 5°

Material: stainless steel (AISI 304)  
rail slider for horizontal usage  
Suitable for overhead systems!



### TAURUS-GLEIT-A-31

Slider A-31 for rail systems

Material: stainless steel (AISI 304)

Rail slider including a shock absorbing element for the vertical usage and an additional anchorage eye for the horizontal usage.



### TAURUS-BEND-10

Taurus bending device for Taurus rail

Bending device for TAURUS-RAIL-20/-30/-40

Bending angle = 0° - 85°

flexible installation of the rails directly on site  
space saving packaging in a case and easy to transport





Head office  
**INNOTECH® Arbeitsschutz GmbH**

Laizing 10  
A 4656 Kirchham  
T +43 7619 22 1 22 - 0  
[office@innotech.at](mailto:office@innotech.at)  
[www.innotech.at](http://www.innotech.at)

Branch Office Switzerland  
**INNOTECH® Arbeitsschutz GmbH**

Seestraße 14b  
CH 5432 Neuenhof  
T +41 56 41 69 040  
[office@innotechag.ch](mailto:office@innotechag.ch)  
[www.innotechag.ch](http://www.innotechag.ch)

Branch Germany  
**INNOTECH® Arbeitsschutz GmbH**

In der Steinwiese 5  
D 57074 Siegen  
T +49 271 23 41 94 - 0  
[office@innotech.de](mailto:office@innotech.de)  
[www.innotech.de](http://www.innotech.de)