

PAT. NO.:		©27/01/2012	©
PRODUITS DE SERVICE PUBLICS INNOVA INC. INNOVA PUBLIC UTILITY PRODUCTS INC.			
© 9105-0732 QUEBEC INC. and under exclusive license to INNOVA PUBLIC UTILITY PRODUCTS INC., (hereafter « INNOVA »). All rights reserved. Protected under the Copyright Act of Canada and international treaties and agreements regarding copyrights. Violators are subject to prosecution and other legal recourses for infringement. Any reproduction, adaptation or other use or disclosure whatsoever, in totality or in part, and in any form or by any means whatsoever, strictly forbidden and requires the prior written approval of INNOVA. All data is the exclusive property of 9105-0732 QUEBEC INC. and under exclusive license to INNOVA and cannot be used nor disclosed in any way either without the prior written approval of INNOVA.			
WEIGHT:	TITLE:		
10.0 Lb	Ladder adapter for manhole collar		
4.5 Kg			
COLOR:	MATERIAL:	SHEET(S):	PROJECT:
Safety yellow	Aluminum	1 / 4	A2217-05

8

7

6

5

4

3

2

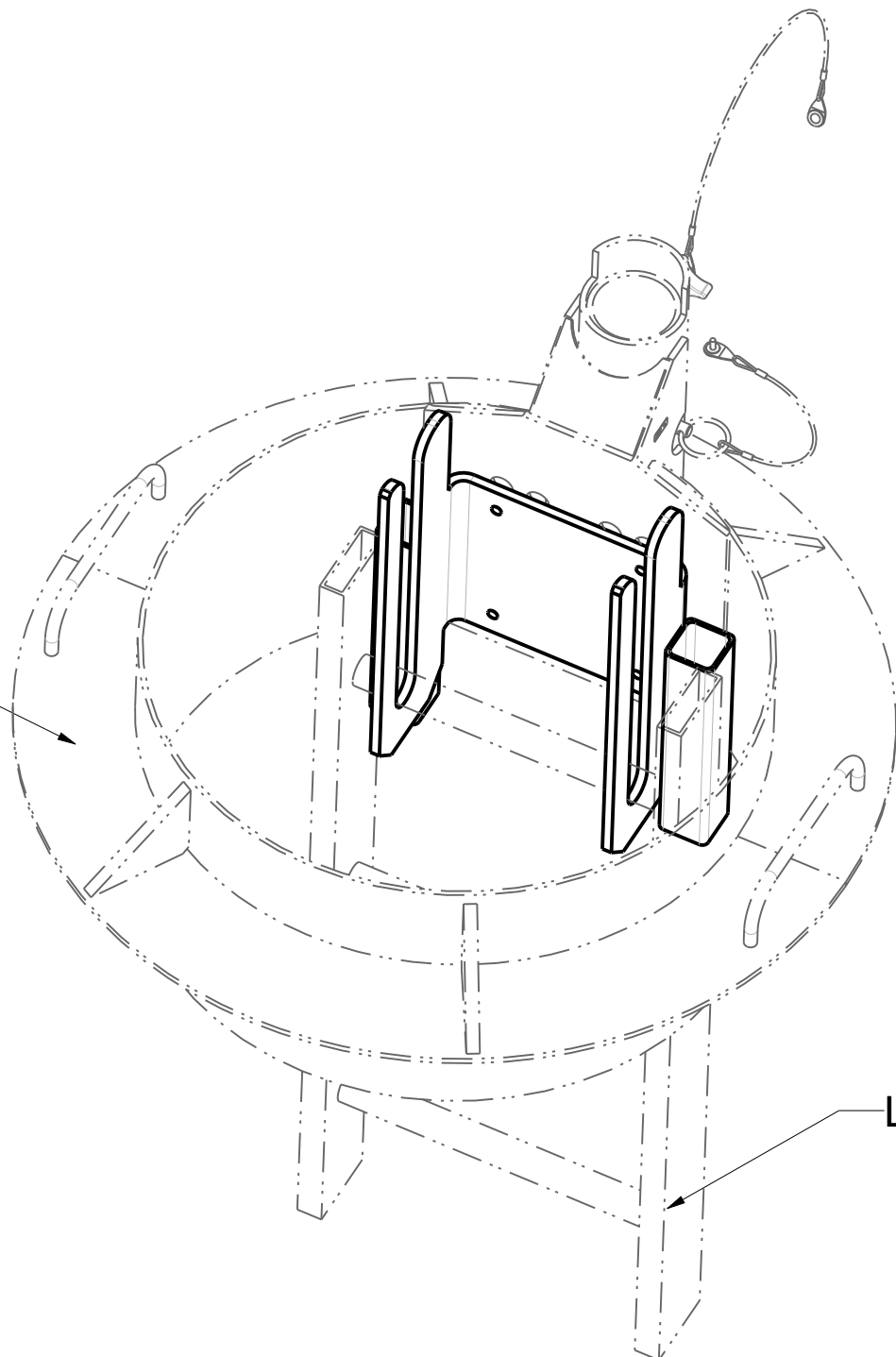
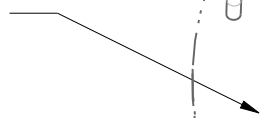
1

Product number: A2217-05

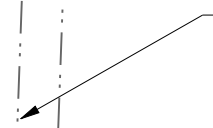
H
G
F
E
D
C
B
A

H
G
F
E
D
C
B
A

Manhole Collar



Ladder



PAT. NO.:		©27/01/2012	©
PRODUITS DE SERVICE PUBLICS INNOVA INC. INNOVA PUBLIC UTILITY PRODUCTS INC.			
<small>© 9105-0732 QUEBEC INC. and under exclusive license to INNOVA PUBLIC UTILITY PRODUCTS INC., (hereafter « INNOVA »). All rights reserved. Protected under the Copyright Act of Canada and international treaties and agreements regarding copyrights. Violators are subject to prosecution and other legal recourses for infringement. Any reproduction, adaptation or other use or disclosure whatsoever, in totality or in part, and in any form or by any means whatsoever, strictly forbidden and requires the prior written approval of INNOVA. All data is the exclusive property of 9105-0732 QUEBEC INC. and under exclusive license to INNOVA and cannot be used nor disclosed in any way either without the prior written approval of INNOVA».</small>			
WEIGHT:	TITLE:		
10.0 Lb	Ladder adapter for manhole collar		
4.5 Kg			
COLOR:	MATERIAL:	SHEET(S):	PROJECT:
Safety yellow	Aluminum	2 / 4	A2217-05

8

7

6

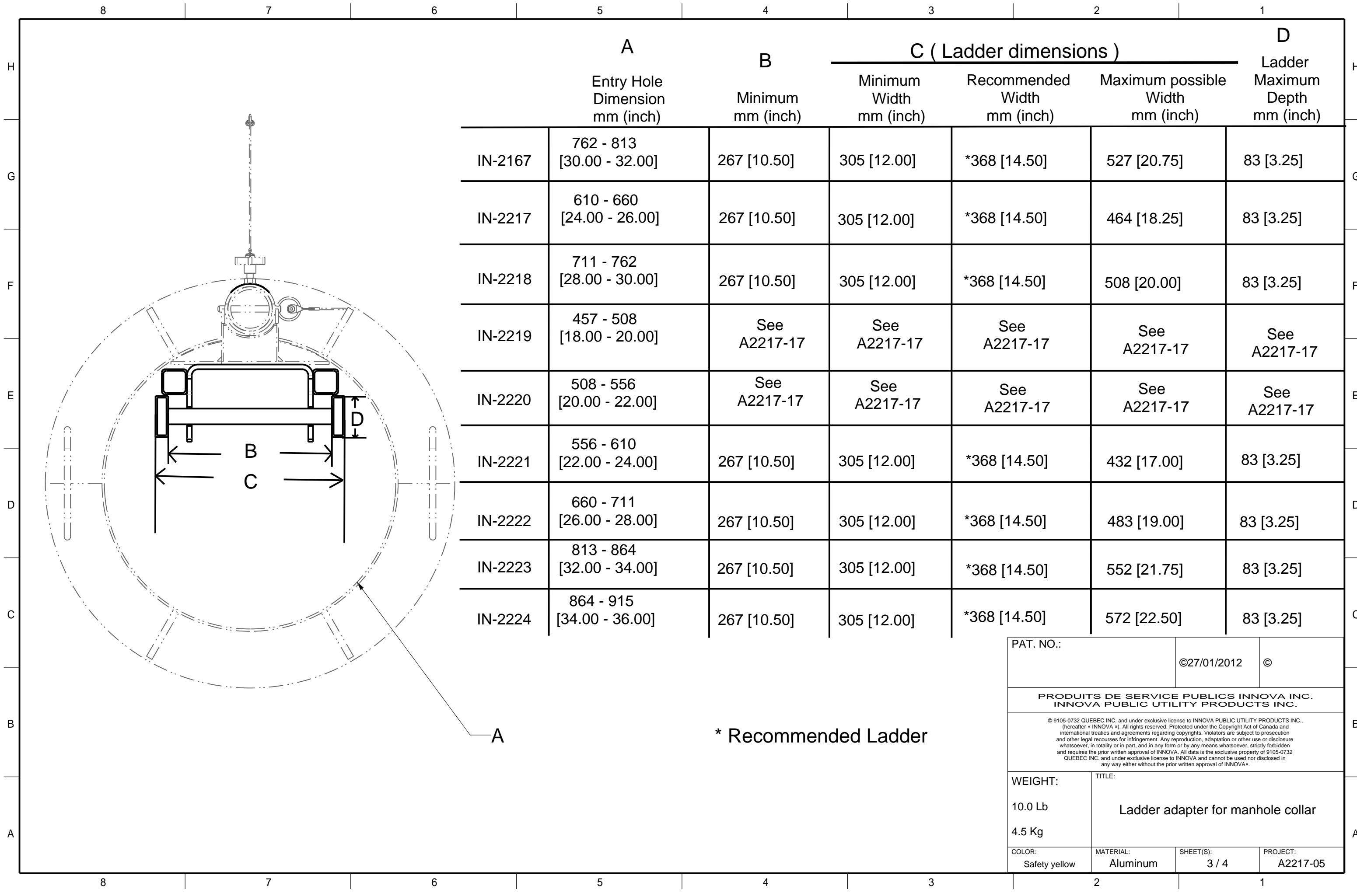
5

4

3

2

1



	A Entry Hole Dimension mm (inch)	B Minimum mm (inch)	C (Ladder dimensions)			D Ladder Maximum Depth mm (inch)
			Minimum Width mm (inch)	Recommended Width mm (inch)	Maximum possible Width mm (inch)	
IN-2167	762 - 813 [30.00 - 32.00]	267 [10.50]	305 [12.00]	*368 [14.50]	527 [20.75]	83 [3.25]
IN-2217	610 - 660 [24.00 - 26.00]	267 [10.50]	305 [12.00]	*368 [14.50]	464 [18.25]	83 [3.25]
IN-2218	711 - 762 [28.00 - 30.00]	267 [10.50]	305 [12.00]	*368 [14.50]	508 [20.00]	83 [3.25]
IN-2219	457 - 508 [18.00 - 20.00]	See A2217-17	See A2217-17	See A2217-17	See A2217-17	See A2217-17
IN-2220	508 - 556 [20.00 - 22.00]	See A2217-17	See A2217-17	See A2217-17	See A2217-17	See A2217-17
IN-2221	556 - 610 [22.00 - 24.00]	267 [10.50]	305 [12.00]	*368 [14.50]	432 [17.00]	83 [3.25]
IN-2222	660 - 711 [26.00 - 28.00]	267 [10.50]	305 [12.00]	*368 [14.50]	483 [19.00]	83 [3.25]
IN-2223	813 - 864 [32.00 - 34.00]	267 [10.50]	305 [12.00]	*368 [14.50]	552 [21.75]	83 [3.25]
IN-2224	864 - 915 [34.00 - 36.00]	267 [10.50]	305 [12.00]	*368 [14.50]	572 [22.50]	83 [3.25]

* Recommended Ladder

PAT. NO.:		©27/01/2012 ©	
PRODUITS DE SERVICE PUBLICS INNOVA INC. INNOVA PUBLIC UTILITY PRODUCTS INC.			
<small>© 9105-0732 QUEBEC INC. and under exclusive license to INNOVA PUBLIC UTILITY PRODUCTS INC., (hereafter « INNOVA »). All rights reserved. Protected under the Copyright Act of Canada and international treaties and agreements regarding copyrights. Violators are subject to prosecution and other legal recourses for infringement. Any reproduction, adaptation or other use or disclosure whatsoever, in totality or in part, and in any form or by any means whatsoever, strictly forbidden and requires the prior written approval of INNOVA. All data is the exclusive property of 9105-0732 QUEBEC INC. and under exclusive license to INNOVA and cannot be used nor disclosed in any way either without the prior written approval of INNOVA.</small>			
WEIGHT:	TITLE:		
10.0 Lb	Ladder adapter for manhole collar		
4.5 Kg			
COLOR:	MATERIAL:	SHEET(S):	PROJECT:
Safety yellow	Aluminum	3 / 4	A2217-05

8

7

6

5

4

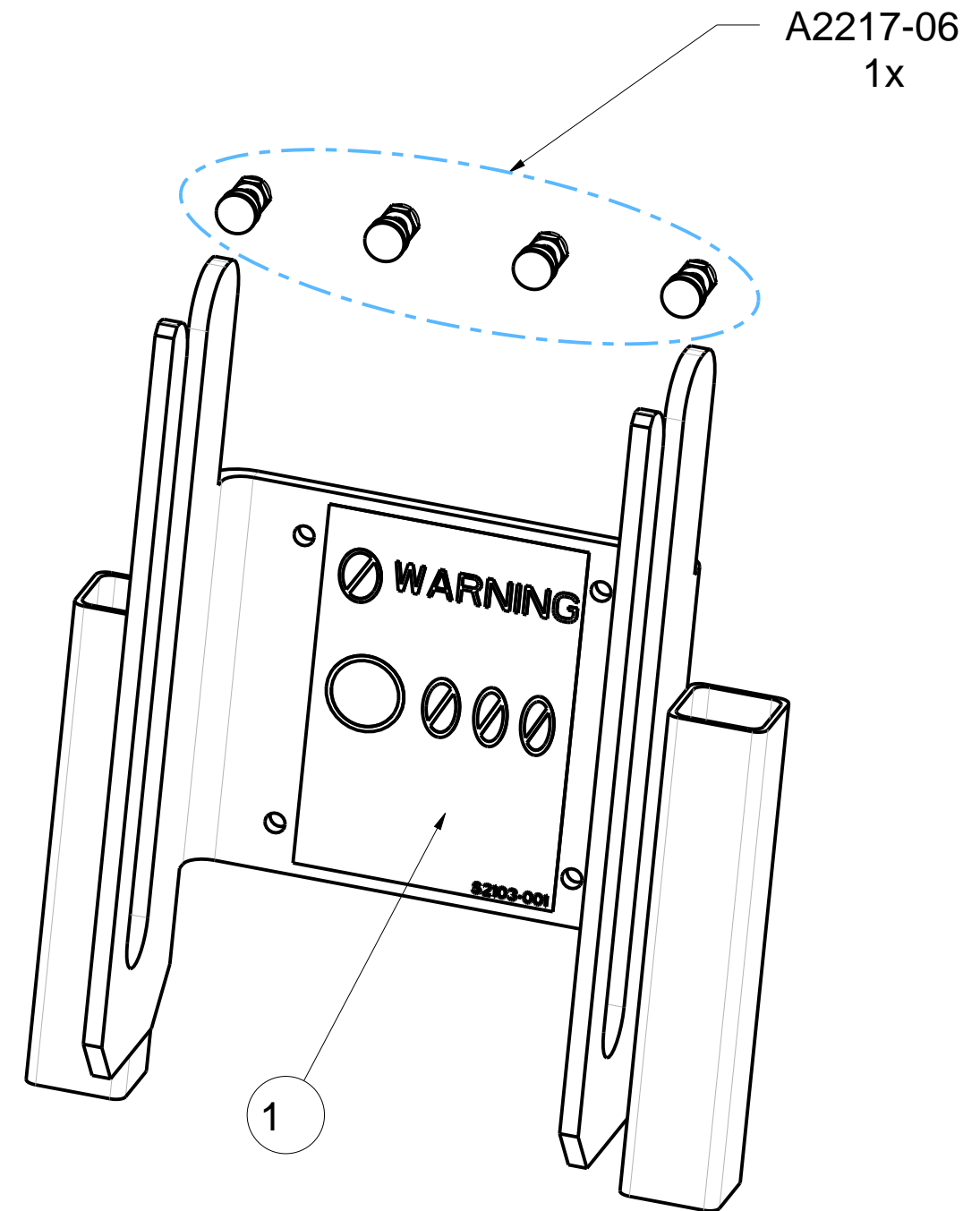
3

2

1

Product number: A2217-05

1	1	S2103-001	Label Warning	
IDX	QTE	COMPONENT	REV	DESCRIPTION



H
G
F
E
D
C
B
A

H
G
F
E
D
C
B
A

8

7

6

5

4

3

2

1

PAT. NO.:		©27/01/2012	©
PRODUITS DE SERVICE PUBLICS INNOVA INC. INNOVA PUBLIC UTILITY PRODUCTS INC.			
<small>© 9105-0732 QUEBEC INC. and under exclusive license to INNOVA PUBLIC UTILITY PRODUCTS INC., (hereafter « INNOVA »). All rights reserved. Protected under the Copyright Act of Canada and international treaties and agreements regarding copyrights. Violators are subject to prosecution and other legal recourses for infringement. Any reproduction, adaptation or other use or disclosure whatsoever, in totality or in part, and in any form or by any means whatsoever, strictly forbidden and requires the prior written approval of INNOVA. All data is the exclusive property of 9105-0732 QUEBEC INC. and under exclusive license to INNOVA and cannot be used nor disclosed in any way either without the prior written approval of INNOVA.</small>			
WEIGHT:	TITLE:		
10.0 Lb	Ladder adapter for manhole collar		
4.5 Kg			
COLOR:	MATERIAL:	SHEET(S):	PROJECT:
Safety yellow	Aluminum	4 / 4	A2217-05