

ABS 3a WH

according to EN 341:2011/1A, ANSI/ASSE Z359.4-2013



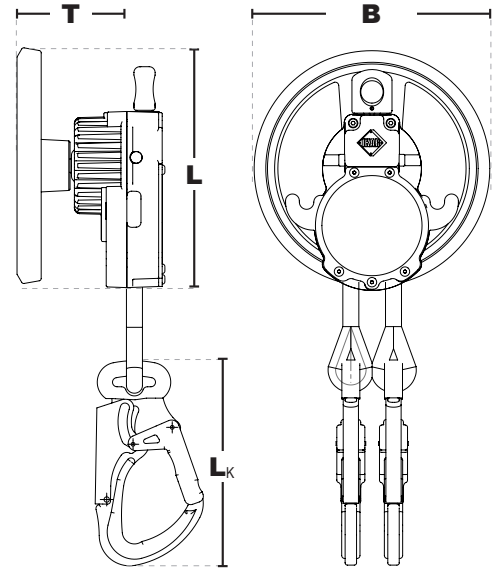
Front view



Back view



IKV 11 (EN 362:2004)



Features:

The controlled descent device ABS 3a WH with rescue hoisting facility utilises an integrated lifting facility with switchable reverse lock and is therefore the ideal device for the third party rescue of persons suspended in their personal fall protection equipment following an arrested fall.

During the descent process, the centrifugal brake keeps the device at a constant speed during the entire descent. With the help of the new deviation point on the device, the descent speed can be regulated.

The switched-on reverse lock acts as a ratchet system to ensure that during a rescue the casualty will only travel in an upward direction, therefore there is no danger of the casualty falling.

The ABS 3a WH is the ideal device for self-rescue / multiple evacuations or for training measures

Controlled descent device with Hoisting facility

- Resistant and low-maintenance descent device with swivel with ball bearing
- Robust, seawater-resistant aluminium housing with Kernmantle rope Ø 10.5 mm
- Standard connector IKV 11
- Nominal load: 140 kg
- Min. load: 50 kg
- Proof load EN 341: 175 kg
- Static proof load: 20 kN
- Descent metres with nominal load 140 kg: 5.600 m
- Descent metres with minimum load 50 kg: 15.200 m
- Maximum descent height: 200 m
- Maximum descent speed 1,5 m/s
- WKF-rope pulley
- Descent rope KMS 105 EN 1891:1998 A
- Temperature range of application: -40°C bis +50°C
- Life service: approx 10 years

Product information:

Order No.:	Lanyard	Housing	Weight	Dimensions (LxBxT)	Connector (L _K)
42-ABS 3a WH	Kernmantle rope	Aluminium	2,55 kg	200 x 200 x 120 mm	136 mm
KMS 105-X	Standard till 20 m rope length - Enter the required cable length when ordering				
KMS 105	Every other meter (70 g/m) - Enter the required cable length when ordering				

Application:
Rescue, descent

Areas of use:
Wind turbine generators, Cable cars