



# TYPE EXAMINATION CERTIFICATE

N° 085886/07/en of 30 September 2020

<b>Product group</b>	Personal protective equipment
<b>Product</b>	Anchor device type A SLING-11
<b>Product description</b>	The personal protective equipment which is subject of this certificate is illustrated in the Appendix in the form of permissible design variants and construction drawings.
<b>Standard basis</b>	EN 795:2012, DIN CEN/TS 16415
<b>Manufacturer</b>	INNOTECH Arbeitsschutz GmbH
<b>Address</b>	Laizing 10 4656 Kirchham, Austria
<b>Test report</b>	320052605-1 of IBS Linz
<b>Certificate</b>	The IBS – Institut für Brandschutztechnik und Sicherheitsforschung GmbH [IBS Institute for Fire Protection Technology and Safety Research Ltd.] certifies compliance with the requirements in accordance with the standards listed under "standard basis"
<b>Validity</b>	5 years – until 30 September 2025

This type examination certificate refers to the design and type examination of the respective personal protective equipment subject to the standards referred to under the "standard basis". The regulations concerning the manufacture and placing on the market of the product are not subject of this certificate.

The certificate may only be reproduced unchanged.

	<b>Unterzeichner</b>	Ing. Mag. Robert Brenner
	<b>Datum/Zeit-UTC</b>	2020-10-14T15:35:10+02:00
	<b>Prüfinformation</b>	Informationen zur Prüfung der elektronischen Signatur finden Sie unter: <a href="https://www.signaturpruefung.gv.at">https://www.signaturpruefung.gv.at</a>

Ing. Mag. Robert BRENNER  
Authorised signatory of the certification authority

This certificate consists of 4 pages

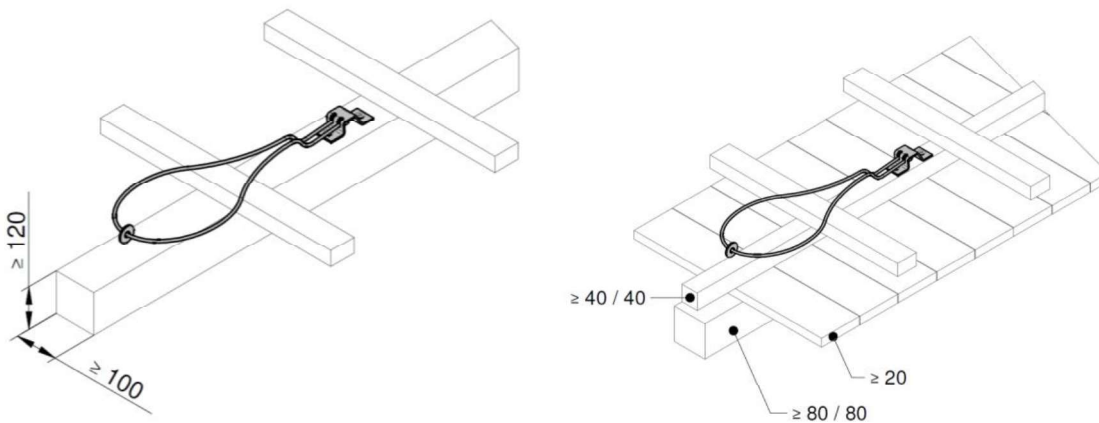


## Product description "SLING-11"

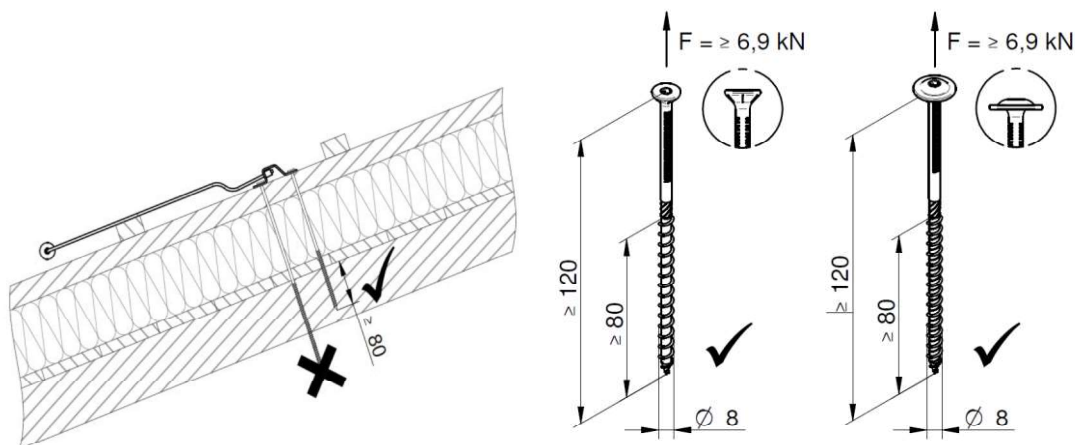
The anchor device "SLING-11" has been developed as a fastening point for securing a person and is intended for installation on a statically load-bearing wooden substructure or on a concrete structure.

### System construction

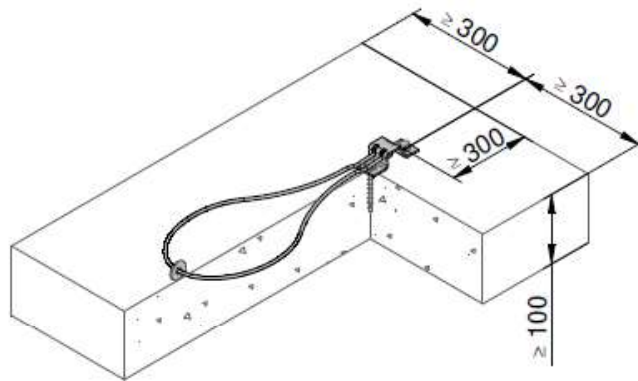
It is to be attached to a rafter substructure (mounting rafters) with a cross-sectional dimension of at least 100 mm x 120 mm or a rafter substructure (fixing rafters) with a cross-sectional dimension of at least 80 mm x 80 mm plus a full formwork at least 20 mm thick and a counter slating of at least 40 mm x 40 mm.



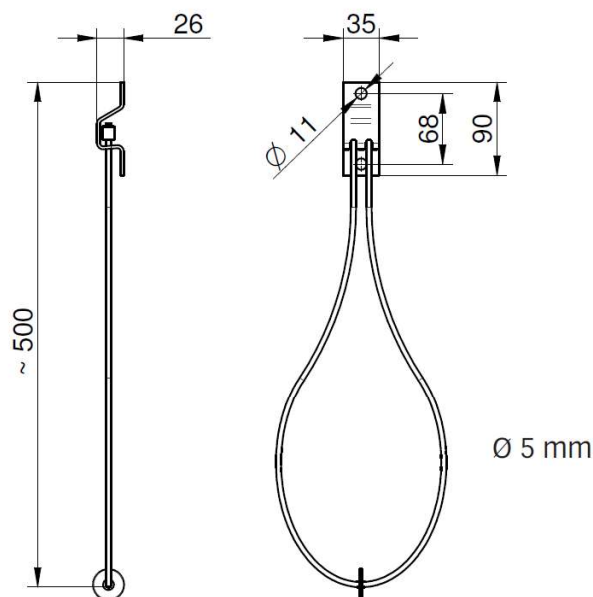
For mounting the SLING-11 in a wooden construction, HBS wood construction screws with a diameter of 8 mm and a length of  $\geq 120$  mm are recommended. Since different lengths of the fastening screws are required depending on the roof structure, the mounting rafters should have a minimum penetration depth of 80 mm (minimum length of thread).



Concrete screws of the "HILTI" brand, type "HUS3-H 8x65 15/5-" shall be used for the installation of the SLING-11 in a concrete structure (minimum quality C20/25) with a minimum thickness of 100mm. The minimum distance to the edges on all sides shall be 300 mm.



### System components



SLING 11 (1 component)



### Safety instructions

"SLING-11" must be checked for obvious defects before each use by visual inspection and must no longer be used if:

- there is any visible damage or wear and tear to components.
- other defects are found (loose screw connections, deformations, corrosion, wear, ...).
- strain has been caused by a fall (exception: first aid).
- the product labelling is illegible.

After each disassembly of the INNOTECH "SLING-11" the anchor device (incl. screws) must be checked for damage (wire breakage, deformations, etc.).

The operational capability of the entire securing system shall be checked by comparing it with the acceptance protocol and the test protocol.

In case of doubts regarding the safe functioning of the security system, do NOT use it any longer and have it checked by a specialist/expert (written documentation). If necessary, replace the product.



Institut für Brandschutztechnik  
und Sicherheitsforschung

# EU TYPE EXAMINATION CERTIFICATE


N° 085886/08/en of 30 September 2020

<b>Product group</b>	Personal protective equipment
<b>Product</b>	Anchor device type B SLING-11
<b>Product description</b>	The personal protective equipment which is subject of this certificate is illustrated in te Appendix in the form of permissible design variants and construction drawings.
<b>Standard basis</b>	EN 795:2012, DIN CEN/TS 16415
<b>Manufacturer</b>	INNOTECH Arbeitsschutz GmbH
<b>Address</b>	Laizing 10 4656 Kirchham, Austria
<b>Test report</b>	320052605-1 of IBS Linz
<b>Certificate</b>	The IBS – Institut für Brandschutztechnik und Sicherheitsforschung GmbH [IBS Institute for Fire Protection Technology and Safety Research Ltd.] (nominated authority No. 1322 pursuant Article 29 of the REGULATION (EU) 2016/425 OF THE EUROPEAN PARLAMENT AND THE COUNCIL from 9 March 2016 about personal protective equipment and the abolition of the Regulation 89/686/EEC fo the Council – certifies compliance with the requirements in accordance with Annex V of the REGULATION (EU) 2016/425. Risk category III g) Falls from a height
<b>Validity</b>	5 years – until 30 September 2025

The EU type examination certificate refers only to the design and the type approval examination of the respective personal protective equipment subject to the REGULATION (EU) 2016/425. The basis for placing the product on the market requires confirmation of quality assurance in accordance with Annex VII or VIII of the REGULATION (EU) 2016/425.

In accordance with REGULATION (EU) 2016/425, the manufacturer undertakes to affix a CE marking to the personal fall protection equipment which this EU type examination certificate is for. In addition to the CE marking, the identification number of the nominated body (1322) which issued the certificate for the personal protective equipment shall be listed.

The certificate may only be reproduced unchanged.

	<b>Unterzeichner</b>	Ing. Mag. Robert Brenner
	<b>Datum/Zeit-UTC</b>	2020-10-14T15:34:38+02:00
	<b>Prüfinformation</b>	Informationen zur Prüfung der elektronischen Signatur finden Sie unter: <a href="https://www.signaturpruefung.gv.at">https://www.signaturpruefung.gv.at</a>

Ing. Mag. Robert BRENNER  
Authorised signatory of the certification authority

This certificate consists of 4 pages

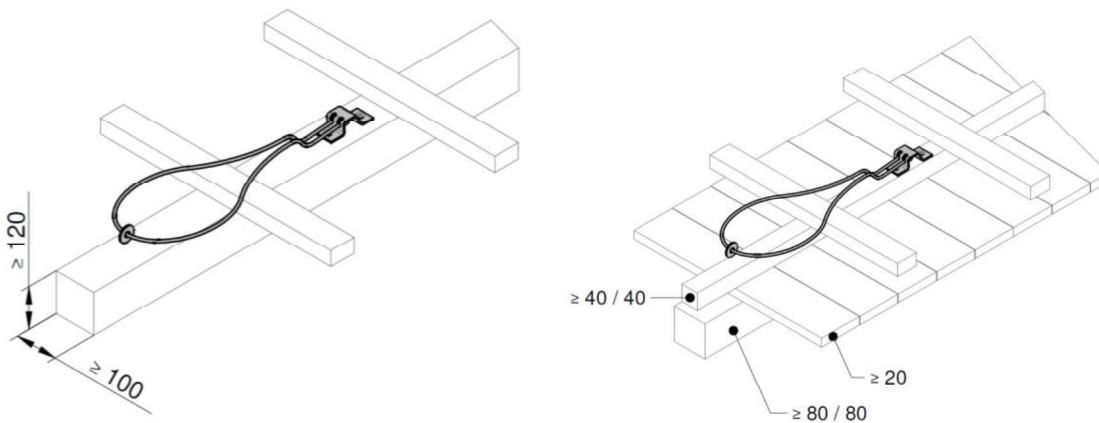


## Product description "SLING-11"

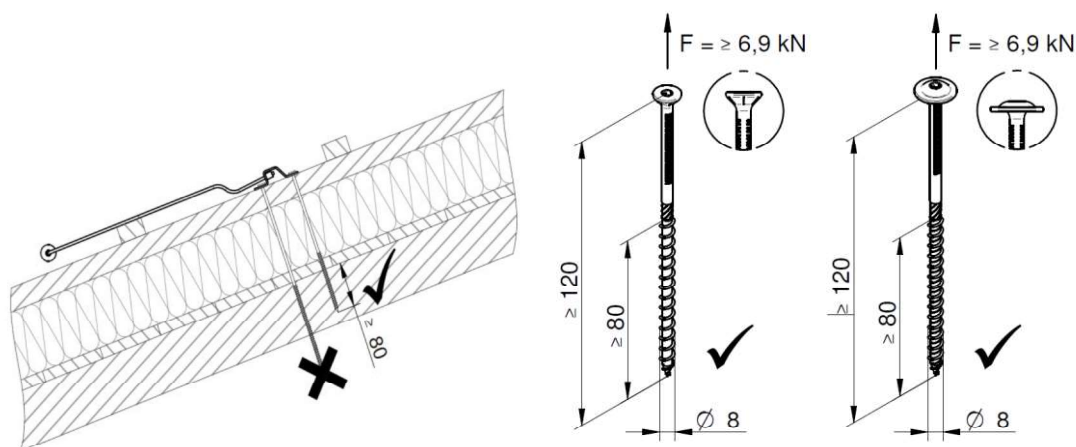
The anchor device "SLING-11" has been developed as a fastening point for securing a person and is intended for installation on a statically load-bearing wooden substructure or on a concrete structure.

### System construction

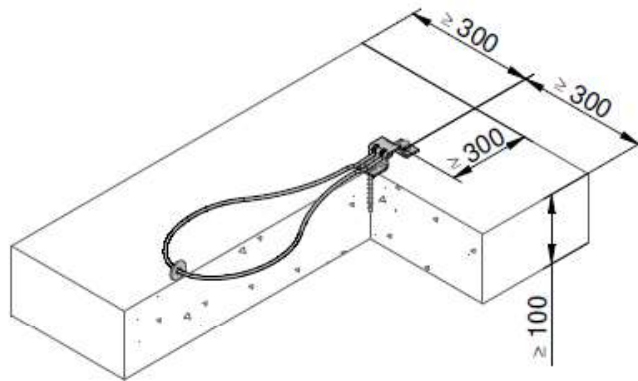
It is to be attached to a rafter substructure (mounting rafters) with a cross-sectional dimension of at least 100 mm x 120 mm or a rafter substructure (fixing rafters) with a cross-sectional dimension of at least 80 mm x 80 mm plus a full formwork at least 20 mm thick and a counter slating of at least 40 mm x 40 mm.



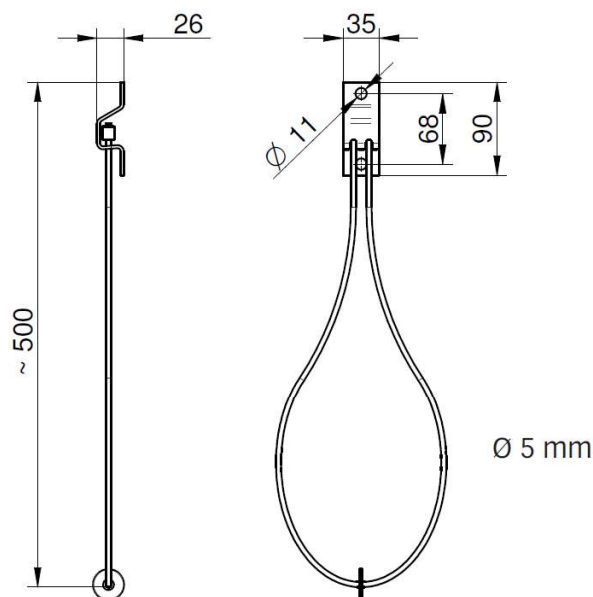
For mounting the SLING-11 in a wooden construction, HBS wood construction screws with a diameter of 8 mm and a length of  $\geq 120$  mm are recommended. Since different lengths of the fastening screws are required depending on the roof structure, the mounting rafters should have a minimum penetration depth of 80 mm (minimum length of thread).



Concrete screws of the "HILTI" brand, type "HUS3-H 8x65 15/5-" shall be used for the installation of the SLING-11 in a concrete structure (minimum quality C20/25) with a minimum thickness of 100mm. The minimum distance to the edges on all sides shall be 300 mm.



### System components



SLING 11 (1 component)



### Safety instructions

"SLING-11" must be checked for obvious defects before each use by visual inspection and must no longer be used if:

- there is any visible damage or wear and tear to components.
- other defects are found (loose screw connections, deformations, corrosion, wear, ...).
- strain has been caused by a fall (exception: first aid).
- the product labelling is illegible.

After each disassembly of the INNOTECH "SLING-11" the anchor device (incl. screws) must be checked for damage (wire breakage, deformations, etc.).

The operational capability of the entire securing system shall be checked by comparing it with the acceptance protocol and the test protocol.

In case of doubts regarding the safe functioning of the security system, do NOT use it any longer and have it checked by a specialist/expert (written documentation). If necessary, replace the product.