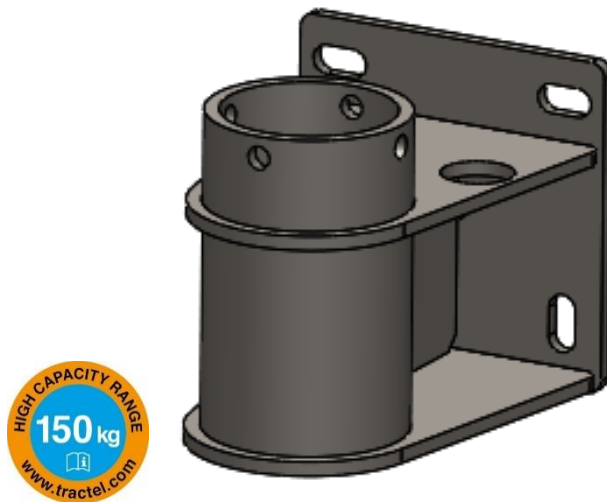


## APPLICATIONS

The davitrac or davimast clearance mural adapter is exclusively intended to be installed with the davitrac or davimast manufactured by Tractel®. This adapter allows the davitrac or davimast to be installed at any point on a vertical surface. It is equipped with 2 PPE anchoring points of 150kg each, which can be used by 2 operators to secure themselves during the installation of the davitrac or davimast.



## DESCRIPTION

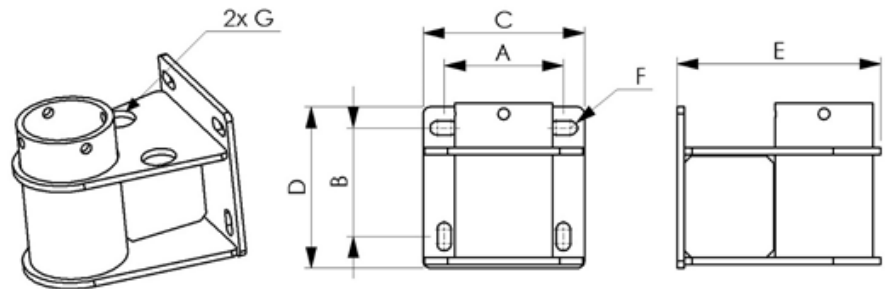
The davitrac / davimast clearance mural adapter is fixed to a vertical surface with 4 heavy duty chemical anchors with a diameter of 16mm.

It can be installed without any specific tools and is quick and easy to install.

It allows the davitrac or davimast to rotate 360° in relation to its axis.

## TECHNICAL CHARACTERISTICS

- ☒ Material: galvanized steel
- ☒ Net weight :18.5kg
- ☒ A: 170mm
- ☒ B: 155mm
- ☒ C: 230mm
- ☒ D: 230mm
- ☒ E: 291mm
- ☒ F: 20mm



## APPLICABLE STANDARDS

- ☒ EN795-A:2012: Fall arrest anchor point,
- ☒ TS16415: Multiuser of 150 kg
- ☒ 2006/42/CE: Anchor lifting point in accordance with the machine directive (WLL 500kg)

## MAIN COMPONENTS

Code	Description	EAN Code	Weight (incl. packaging)	Packaging size
210128	Clearance wall adapter davimast / davitrac	3600232101284	18.7 kg	230x230x291 mm