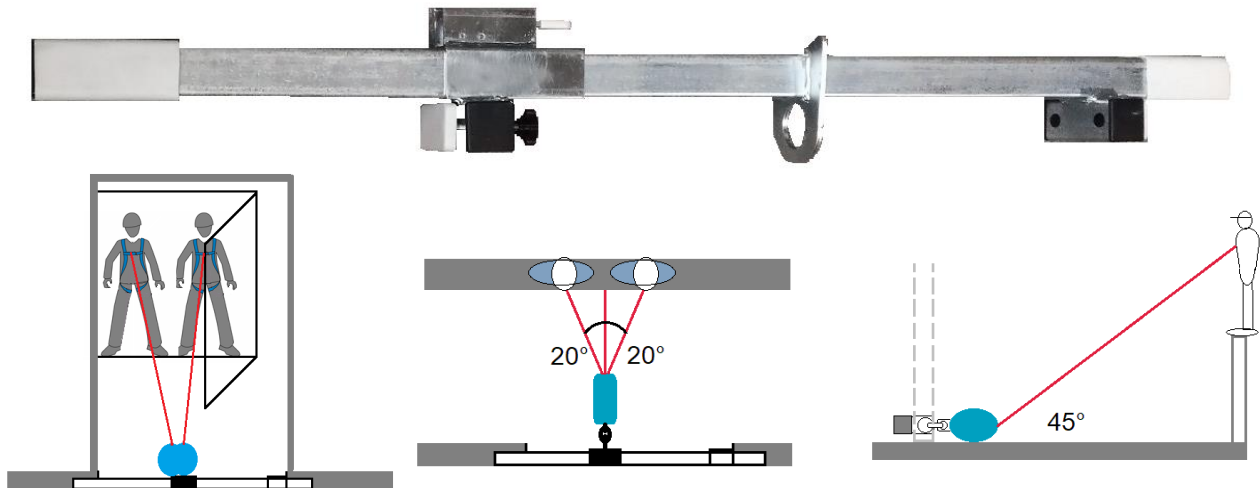


APPLICATIONS

The Tractel® door bar anchor is a mobile anchor point that complies with the EN 795B standard. This bar has been specially designed to create a reliable and quick to install anchor point. It is positioned in the opening of a sufficiently strong window or door.

This product is designed for people accessing area with a risk of fall from height in the vicinity of a door or window such as in construction sector or during the inspection of the building façade.

It can be used simultaneously by 2 operators of 150kg each.



TECHNICAL CHARACTERISTICS

The Door Anchor Bar is adjustable from 640 to 1100 mm.

It can be used by 2 operators of 150kg each

It is made of galvanised steel and measures 1410 x 110 x 190 mm and weighs 9 kg

Its installation is quick:

- 1- Position the bar horizontally at the lowest point of the structure.
- 2- Lock and adjust the bar's adjustment screws by hand.
- 3- Connect the fall arrester to the anchor point of the bar.

NB: Do not work at an angle of more than 20° perpendicular to the anchor point.

The angle of the fall arrester must never be greater than 45°.

The Door Anchor Bar is an efficient and quick to install anchor point.

It is adjusted with a pressure slider that indexes into holes drilled in the door bar every 12mm. The final adjustment is made by means of a pressure screw positioned on the slider

The installation is performed without any drilling in the building structure.

APPLICABLE STANDARDS

Certified according to European standards:

- EN795:2012 type B – mobile fall arrest anchor point
- CEN/TS 16415 – multi users over 100kg (2 x150kg)

EXISTING PRODUCTS

Code	Description	Weight	Dimensions
294649	Door anchor bar 150kg	9 kg	1410 x 110 x 190mm

LOGISTIC INFORMATION

Code	Description	EAN Code	Weight (incl. packaging)	Packaging size
294649	Door anchor bar 150kg	3600232946496	10 kg	1450 x 150 x 190 mm