

AIO-BKS

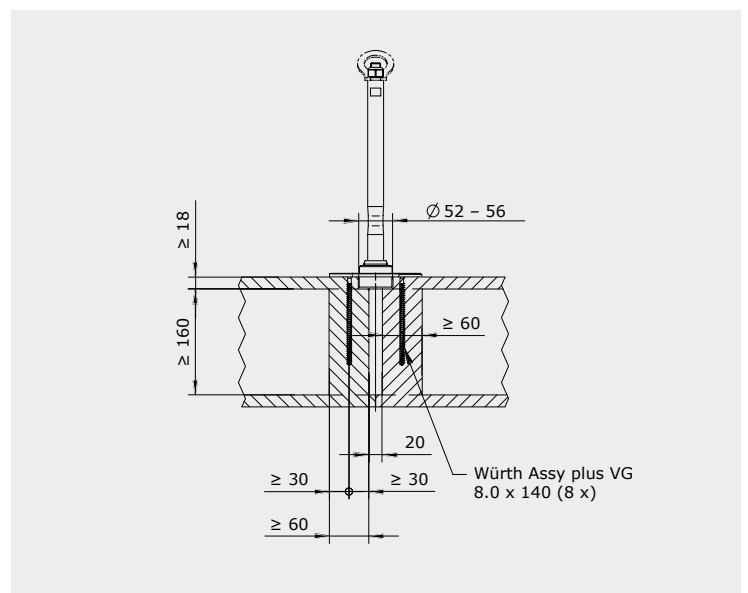
BKS Post

EN

By using INNOTECH'S BKS modular posts only one anchorage shaft is required for all other safety components. These economic posts consist of only 2 components and are used as attachment point for end and corner points as well as intermediate cable brackets. They can also be used as an anchor point together with INNOTECH SPAR-10-25. Additional feature for absolute safety: mechanical rotation protection!

- Anchorage point for personal safety for end and corner points and for intermediate cable brackets (max. 12 m intermediate cable bracket distance)
- can also be used as anchorage point with INNOTECH SPAR-10-25
- mechanical rotation protection
- **one anchorage shaft for all components:** easy storage, space-saving, economical
- very easy to use, no special tools required
- low base plate, lower transport volumes
- To the latest state of the art certification:

EN 795:2012 TYP A and C
CEN/TS 16415:2013



MOUNTABLE ON:

OSB board with 18 mm min. thickness + wooden ribs

Use correct screws:

Würth Assy plus VG 8.0 x 140 mm



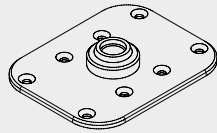
AIO-BKS



COMPONENTS

AIO-BKS-GP-01
BASE PLATE FOR END-, CORNER POINT OR INTERMEDIATE CABLE BRACKET
 in AIO-lifeline system for lightweight wood construction (EN 795 C)

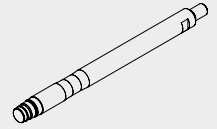
Mountable on: wood min. 14 x 16 cm
 wooden roof elements
 (requirements according to instruction manual)
 Material: stainless steel (AISI 304)
 Base plate dimensions: 178 x 140 x 40 mm



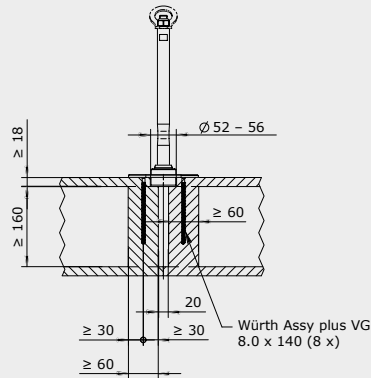
AIO-BKS-AW-01
ANCHOR ROD FOR END-, CORNER POINT OR INTERMEDIATE CABLE BRACKET
 in AIO-lifeline system for lightweight wood construction (EN 795 C)

Mountable on: base plate AIO-BKS-GP-01
 Material: stainless steel (AISI 304)
 Length: 300 mm

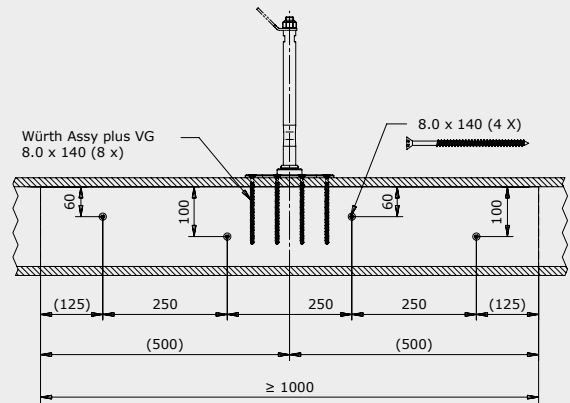
Optional use as a single anchorage point together with EAP-SPAR-10-25!



STANDARD SOLUTION



REINFORCEMENT STRUCTURE



DIFFERENT OPTIONS OF ROOF CLADDING

