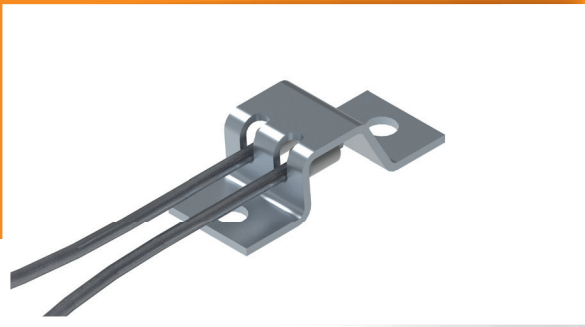


FOR PITCHED ROOFS

EAP-SLING

Single anchor point



EAP-SLING-11 is perfect for use on a pitched roof as a single anchor point. The EAP-SLING-11 single anchor point from INNOTECH requires only a small wood dimension, and blends in perfectly with the building aesthetics because of its discreet appearance.

- single anchor point for pitched roofs
- optimum integration with the building aesthetics; specially suitable for listed buildings
- fast installation without special tools

The effect of the EAP-SLING-11 on the architectural surroundings is very unobtrusive, and it is particularly suitable for listed buildings. The simple fastening option saves additional time during installation.

- various sling lengths available upon request
- Certification to the latest state of the art:

EN 795:2012 TYPE B

SINGLE ANCHOR POINT

EAP | SINGLE ANCHOR POINT

EAP-SLING-11

SINGLE ANCHOR POINT FOR PITCHED ROOFS (EN 795 A / TYP B)

Untergrund: Holz (mind. 10/12 cm bzw. 8/8 cm + mind. 20 mm Holzschalung)
Untergrund: Beton (mind. 100 mm)

Seildurchmesser: \varnothing 5 mm, Edelstahl V2A (AISI 304)

Schlingenlänge: 400 mm

Material: verzinkter Stahl, Edelstahl V2A (AISI 304)

Mindesteindringtiefe in die statisch-tragende Holzkonstruktion: 80 mm

Geeignete Holzbauschrauben, je nach Dachaufbau mitbestellen!

(HBS \varnothing 8 mm, Länge= 100 bis 400 mm)

Geeignete Betonschrauben, je nach Bedarf mitbestellen!

(HILTI HWS3-H8x65 15/5)

