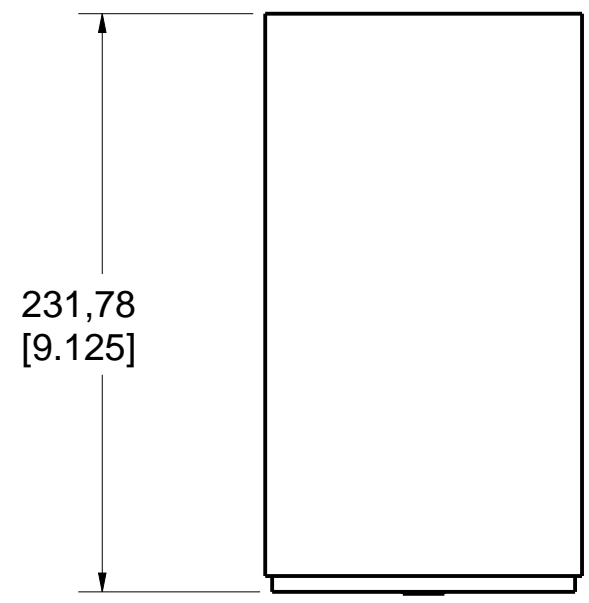
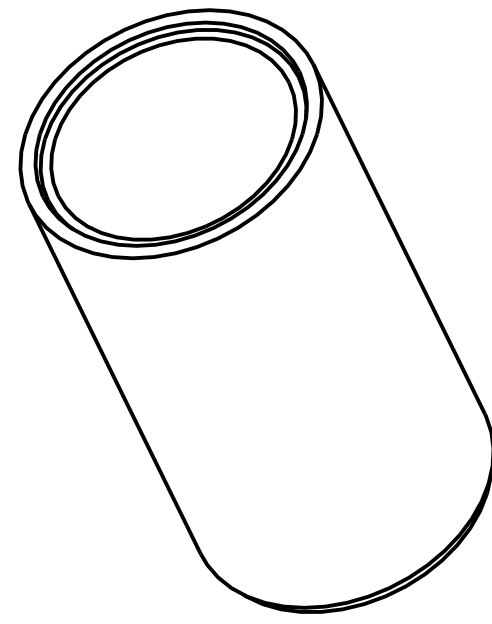
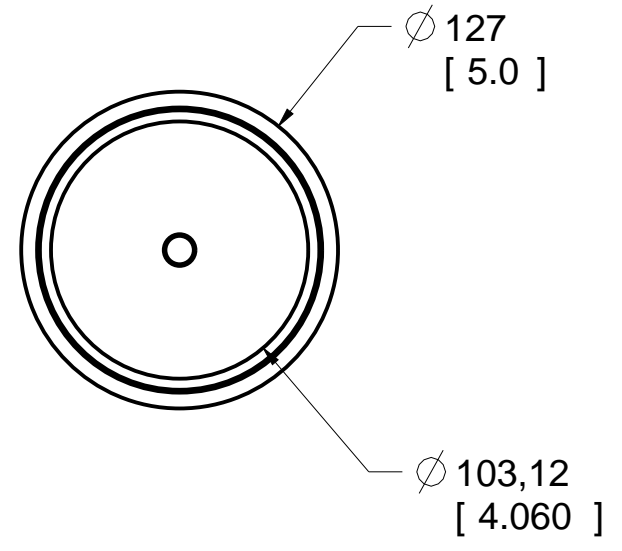


Product number: IN-2255



PAT. NO.:		©15/12/2010	©
PRODUITS DE SERVICE PUBLICS INNOVA INC. INNOVA PUBLIC UTILITY PRODUCTS INC.			
© 9105-0732 QUEBEC INC. and under exclusive license to INNOVA PUBLIC UTILITY PRODUCTS INC., (hereafter « INNOVA »). All rights reserved. Protected under the Copyright Act of Canada and international treaties and agreements regarding copyrights. Violators are subject to prosecution and other legal recourses for infringement. Any reproduction, adaptation or other use or disclosure whatsoever, in totality or in part, and in any form or by any means whatsoever, strictly forbidden and requires the prior written approval of INNOVA. All data is the exclusive property of 9105-0732 QUEBEC INC. and under exclusive license to INNOVA and cannot be used nor disclosed in any way either without the prior written approval of INNOVA.			
WEIGHT:	TITLE:		
12 Lb	102mm (4") Sleeve adapter		
5.4 Kg	(Inox 304)		
COLOR:	MATERIAL:	SHEET(S):	PROJECT:
	Stainless S.	1 / 4	IN-2255

Product number: **IN-2255**

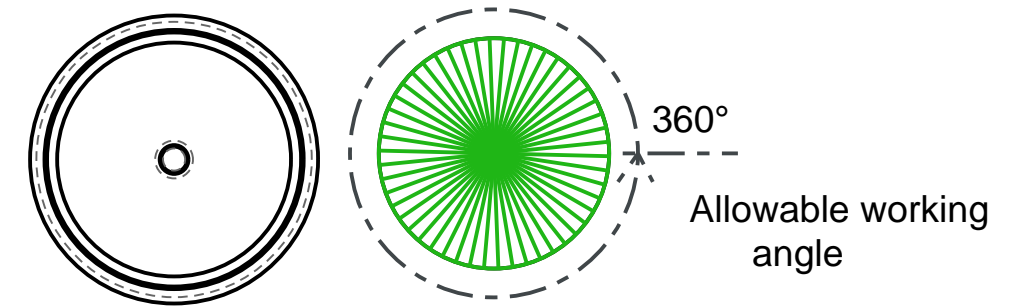
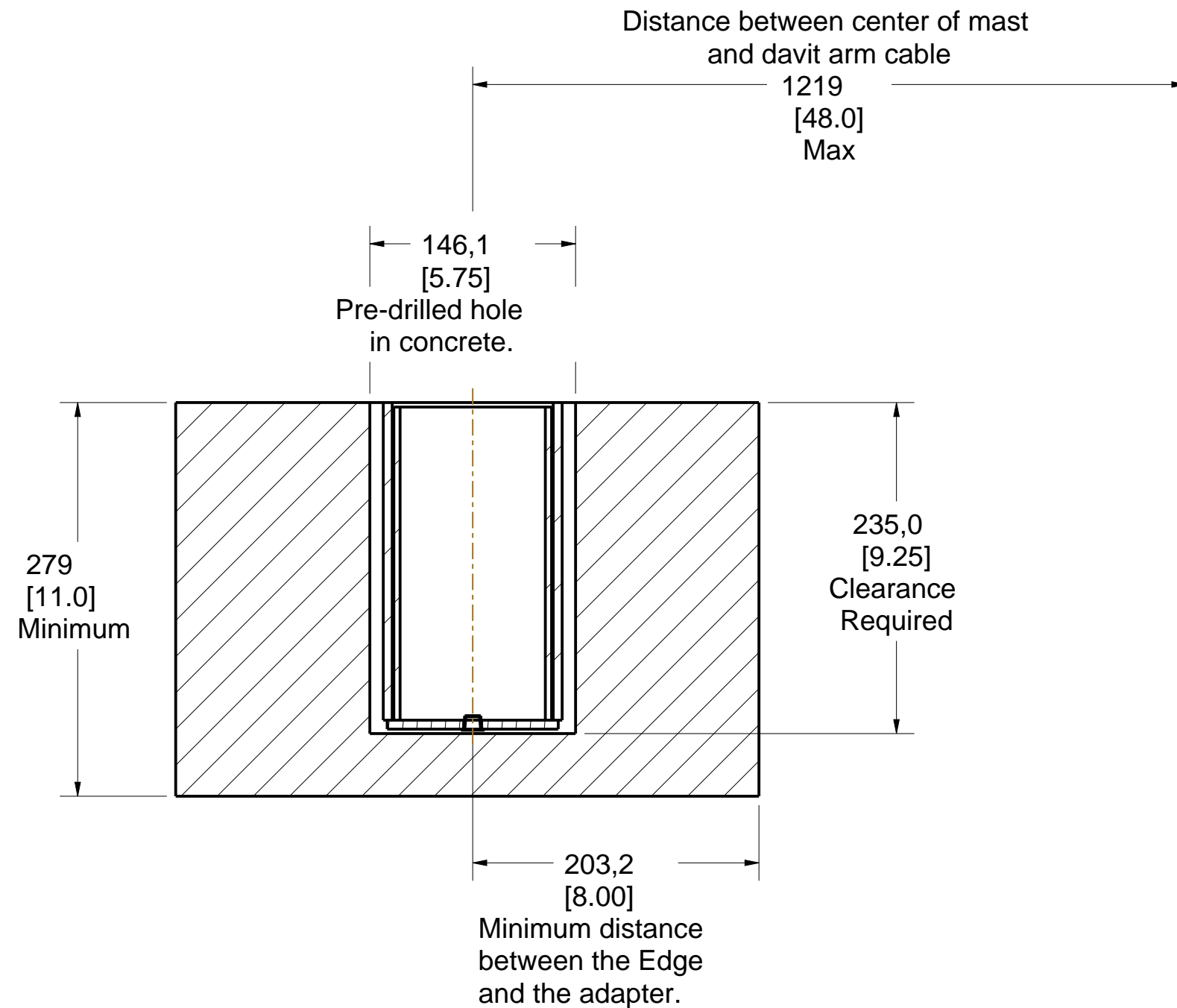
Recommendations:

Concrete must be made of 0.2% gross area rebar reinforced 2000psi (13,8 Mpa) or better. Minimum thickness of 11" (280mm). (Chemical anchorage).

Use anchor bolt epoxy (such as Hilti Hit-RE-500) as a filler between the sleeve adapter and concrete.

Moment capacity:
27,116 N-m (240,000 lbf-in)
Vertical load: 22,241 N (5,000 lbf)

N.B. It is the responsibility of the field Engineer to assure the installation and capacity of the floor and wall structures.



PAT. NO.:		©15/12/2010	©
PRODUITS DE SERVICE PUBLICS INNOVA INC. INNOVA PUBLIC UTILITY PRODUCTS INC.			
© 9105-0732 QUEBEC INC. and under exclusive license to INNOVA PUBLIC UTILITY PRODUCTS INC., (hereafter « INNOVA »). All rights reserved. Protected under the Copyright Act of Canada and international treaties and agreements regarding copyrights. Violators are subject to prosecution and other legal recourses for infringement. Any reproduction, adaptation or other use or disclosure whatsoever, in totality or in part, and in any form or by any means whatsoever, strictly forbidden and requires the prior written approval of INNOVA. All data is the exclusive property of 9105-0732 QUEBEC INC. and under exclusive license to INNOVA and cannot be used nor disclosed in any way either without the prior written approval of INNOVA.			
WEIGHT:	TITLE:		
12 Lb	102mm (4") Sleeve adapter		
5.4 Kg	(Inox 304)		
COLOR:	MATERIAL:	SHEET(S):	PROJECT:
	Stainless S.	2 / 4	IN-2255

SPECIFICATIONS

This equipment is considered as part of a personal fall arrest system (PFAS) with a maximum working capacity of 164 Kg (360 lb).

It is only to be used in conjunction with a personal fall arrest system that limits the maximum arrest force (MAF).

Maximum Working Moment : 1,952 N-m (17,280 lbf-in)
 Maximum Moment : 19,524 N-m (172,800 lbf-in)

STANDARDS

Meets the following standards:

- OSHA Personal fall arrest system - 1910.66 App C
- ANSI Safety requirements for personal fall arrest system, subsystems and components Z359.1 (R1999) / 2007
- CAN/CSA Fall arresters, vertical lifelines, and rails Z259.2.1-98
- CE EN 795: 2012 Type A

MATERIAL AND CONSTRUCTION

- Plate : Stainless Steel 304
- Sleeve : Stainless Steel 304
- Sleeve bearing : PVC pipe
- Welding Certification : CSA W59 & W47.1, AWS D1.6

RESTRICTIONS

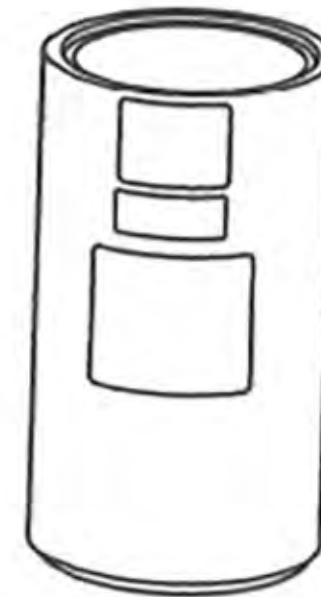
IMPORTANT :

This adapter is to be used only with products approved by Innova Public Utility Products Inc.

In the occurrence of a fall or the safety of the equipment is in doubt, equipment must be immediately removed from service and inspected by qualified personnel before reuse.

- This equipment must always be operated in a level position.
- Always use a protection adapter cap when adapter is used outside and/or when possible freezing can occur.

Product number: IN-2255



PAT. NO.:		015/12/2010 ©	
PRODUITS DE SERVICE PUBLICS INNOVA INC. INNOVA PUBLIC UTILITY PRODUCTS INC.			
© 2008-2016 INNOVA INC. and other exclusive license to INNOVA PUBLIC UTILITY PRODUCTS INC. All rights reserved. Protected under the Copyright Act of Canada and International treaties and agreements regarding copyright. Materials are subject to protection and other legal concepts for infringement. Any reproduction, translation or other use or disclosure whatsoever, in whole or in part, and in any form or by any means whatsoever, strictly forbidden and requires the prior written approval of INNOVA, all data is the exclusive property of INNOVA (INNOVA INC.) and under exclusive license to INNOVA and cannot be used nor disclosed in any way without the prior written approval of INNOVA.			
WEIGHT:	TITLE:		
12 Lb	102mm (4") Sleeve adapter		
5.4 Kg	(Inox 304)		
COLOR:	MATERIAL:	QUANTITY:	PROJECT:
	Stainless Steel	3 / 4	IN-2255

8

7

6

5

4

3

2

1

H

G

F

E

D

C

B

A

H

G

F

E

D

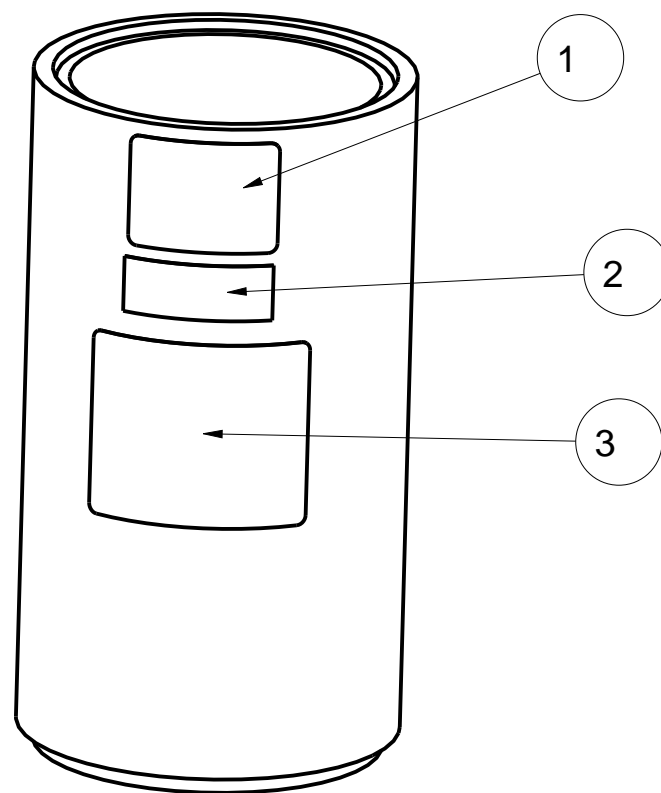
C

B

A

Product number: IN-2255

3	1	S2253-001		Étiquette universel tout Adaptateur	
2	1	S2337-003	REV C	Étiquette sécurité Type A	
1	1	S2001-005	RevB	Étiquette NO. produit et NO. Série	
IDX	QTE	COMPOSANTE	REV	DESCRIPTION	MATERIAU



PAT. NO.:		©15/12/2010	©
PRODUITS DE SERVICE PUBLICS INNOVA INC. INNOVA PUBLIC UTILITY PRODUCTS INC.			
<small>© 9105-0732 QUEBEC INC. and under exclusive license to INNOVA PUBLIC UTILITY PRODUCTS INC., (hereafter « INNOVA »). All rights reserved. Protected under the Copyright Act of Canada and international treaties and agreements regarding copyrights. Violators are subject to prosecution and other legal recourses for infringement. Any reproduction, adaptation or other use or disclosure whatsoever, in totality or in part, and in any form or by any means whatsoever, strictly forbidden and requires the prior written approval of INNOVA. All data is the exclusive property of 9105-0732 QUEBEC INC. and under exclusive license to INNOVA and cannot be used nor disclosed in any way either without the prior written approval of INNOVA.</small>			
WEIGHT:	TITLE:		
12 Lb	102mm (4") Sleeve adapter		
5.4 Kg	(Inox 304)		
COLOR:	MATERIAL:	SHEET(S):	PROJECT:
	Stainless Steel	4 / 4	IN-2255

8

7

6

5

4

3

2

1