

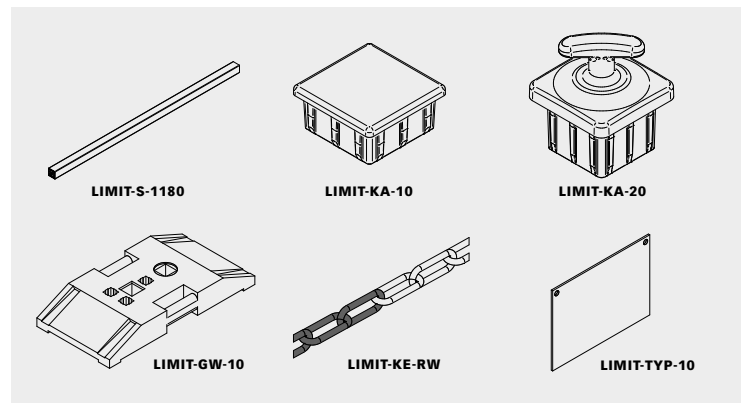
Barrier **LIMIT** EN

The straightforward solution of the LIMIT system from INNOTECH offers the perfect protection from potential dangers to people who work in areas high above the ground.

The freestanding barrier is very versatile and can be erected in only moments without any special tools.

Thus it is possible to make simple pathways, connected by a very special chainholder.

- freestanding divider between work areas and dangers
- fast installation
- simple assembly (without special tools)
- low added weight due to wide post spacing of 7.5 m
- high stability
- no additional karabiners necessary for installation
- easy formation of pathways thanks to innovative chain-holder



LIMIT-S-1180

Length: 1180 mm
Material: aluminium

LIMIT-KA-10

Height x Width x Length:
19 x 40 x 40 mm
Material: plastic

LIMIT-KA-20

Height x Width x Length:
58 x 47 x 47 mm
Material: plastic

LIMIT-GW-10

Height x Width x Length:
110 x 400 x 800 mm
Weight: 28 kg
Material: recycled material

LIMIT-KE-RW

Dimensions:
46 x 11 x Ø 6 mm
Length: 25 m
Material: plastic
Colour: red / white

LIMIT-TYP-10

Material: aluminium, plastic

Recycled material weight for LIMIT-S supports

for designation of a LIMIT freestanding system