

(1) **Type Examination Certificate**(2) No. of the Type Examination Certificate: **ZP/B089/18** replaces ZP/B002/15(3) Product: **Anchor device type C**  
Type: **ALLinONE**(4) Manufacturer: **INNOTECH® Arbeitsschutz GmbH**(5) Address: **Laizing 10, 4656 Kirchham, Austria**

(6) The design of this product and any acceptable variation thereto are specified in the schedule to this type examination certificate.

(7) The certification body of DEKRA Testing and Certification GmbH certifies that this product comply with the fundamental requirements of the standard listed under item 8 below. The examination and test results are set out in the report PB 17-340.

(8) The requirements of the standard are assured by compliance with

**DIN EN 795:2012****DIN CEN/TS 16415:2017**

(9) This Type Examination Certificate relates only to the design, examination and tests of the specified product in accordance to the standard list. Further requirements of the Directive apply to the manufacturing process and supply of this personal protective equipment. These are not covered by this certificate.

(10) This Type Test Certificate is valid until 2024-01-30.

DEKRA Testing and Certification GmbH  
Bochum, 2019-01-31signed: Mühlenbruch  
Certification bodysigned: Stickdorn  
Special services unitWe confirm the correctness of the translation from the German original.  
In the case of arbitration only the German wording shall be valid and binding.  
Certification body  
Special services unit



## TRANSLATION

- (11) Appendix to
- (12) **Type Examination Certificate**  
**ZP/B089/18**
- (13) 13.1 Subject and Type  
Anchor device type C  
Type: ALLinONE

### 13.2 Description

The anchor device of type ALLinONE (Fig. 1) is intended to protect persons against fall from a height. A maximum of four people can secure themselves against falling on the anchor line between two anchor points. The anchor device is mounted on suitable grounds of sufficient structural strength.

The corrosion-resistant anchor line is made of steel rope ( $\varnothing$  8 mm – variant 7x7) and is fastened at both ends by means of a rope tensioner (Fig. 24). The rope tensioners are equipped with an integrated shock absorption system and are either directly connected to the construction system or by means of end anchors (Fig. 7 - 13).

On the anchor line there run mobile anchor points (Fig. 2 - 6). Each anchor point is equipped with one connector that comes as a steel karabiner. It is not possible to detach the mobile anchor points from the anchor line except the anchor points of type AIO-GLEIT-10 (Fig. 2) and AIO-GLEIT-20 (Fig. 6) which can be detached by two hand movements that need to be performed independently from each other. The user is not able to override the ends of the anchor line as these are secured by the rope tensioners and terminations.

The correct pre-stressing of the anchor line is visible due to a marking on the rope tensioner. On the construction, specially shaped intermediate anchors (Fig. 25 - 30) can be mounted on the building structure to support the anchor line. The maximum distance between the intermediate anchors can vary according to the system installed and must not be wider than 15 m.

In addition, curves can be passed over using the corner anchors (Fig. 14 - 23). Those corner anchors deflect the anchor line by means of a bent tube.

The corner anchor (Fig. 18) allows to redirect the anchor line at any horizontal angle; nevertheless, it cannot be overridden by a mobile anchor point.

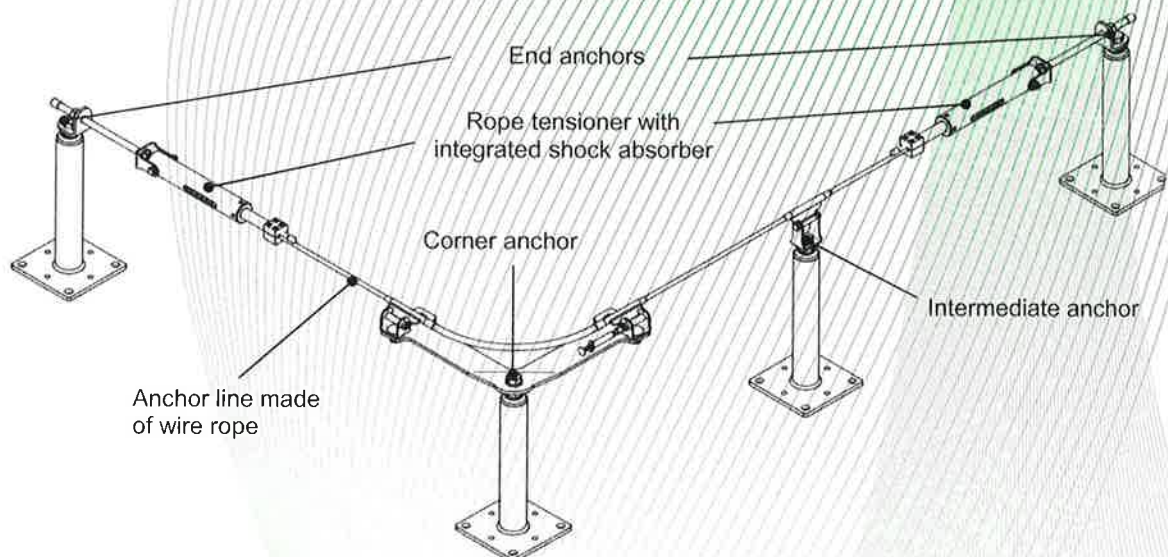


Fig. 1: Application example of anchor device, type: ALLinONE







# TRANSLATION



Fig. 17: Corner anchor, type: AIO-EDLE-13



Fig. 18: Corner anchor, type: AIO-EDLE-14



Fig. 19: Corner anchor, type: AIO-EDLE-17



Fig. 20: Corner anchor, type: AIO-EDLE-18



Fig. 21: Corner anchor, type: AIO-EDLE-19



Fig. 22: Corner anchor, type: AIO-EDLE-20



Fig. 23: Corner anchor, type: AIO-EDLE-50



Fig. 24: Rope tensioner, type: AIO-ENDS-10



Fig. 25: Intermediate anchor, type: AIO-SZH-10

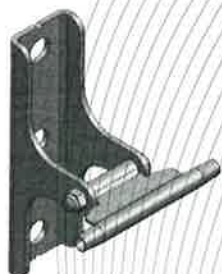


Fig. 26: Intermediate anchor, type: AIO-SZH-11



Fig. 27: Intermediate anchor, type: AIO-SZH-13



Fig. 28: Intermediate anchor, type: AIO-SZH-14



Fig. 29: Intermediate anchor, type: AIO-SZH-15

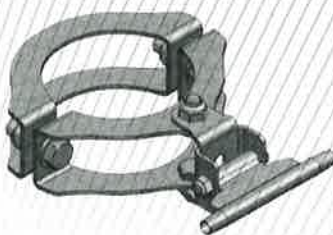


Fig. 30: Intermediate anchor, type: AIO-SZH-20

(14) Report

PB 17-340 dd. 2019-01-31