

BARRIER-ATTIKA



Instruction manual

DE – ACHTUNG: Die Verwendung des INNOTECH-Produkts ist erst zulässig, nachdem die Gebrauchsanleitung in der jeweiligen Landessprache vollständig gelesen und verstanden wurde.

EN – ATTENTION: Use of the INNOTECH product is only permitted after the instruction manual has been read and fully understood in the respective language.

IT – ATTENZIONE: L'utilizzo del prodotto INNOTECH è permesso solo previa lettura e comprensione dell'intero manuale di istruzioni nella lingua del relativo paese di utilizzo.

FR – ATTENTION : L'utilisation du produit INNOTECH n'est autorisée qu'après avoir entièrement lu et compris la notice d'utilisation dans la langue du pays concerné.

NL – ATTENTIE: Dit INNOTECH-product mag pas gebruikt worden nadat u de gebruikershandleiding in de taal van het betreffende land gelezen en begrepen hebt.

ES – ATENCIÓN: Se autorizará el uso de los productos INNOTECH una vez que se hayan leído y entendido las instrucciones de uso en el idioma del país.

PT – ATENÇÃO: O uso do produto INNOTECH apenas é permitido depois de ter lido e compreendido na totalidade as instruções de uso na respetiva língua nacional.

DK – GIV AGT: Du må først bruge et produkt fra Innotech, efter du har læst og forstået brugsvejledningen i fuldt omfang i dit lands sprog.

SV – O B S : Denna INNOTECH-produkt får inte användas förrän bruksanvisningen på respektive lands språk har lästs igenom och förstås.

CZ – POZOR: Práce s výrobkem INNOTECH je povolena teprve po kompletním přečtení a porozumění návodu k použití v jazyku daného státu.

PL – UWAGA: Produkty firmy INNOTECH mogą być używane dopiero po dokładnym zapoznaniu się z całą instrukcją obsługi w ojczystym języku.

SL – POZOR: Uporaba izdelka INNOTECH je dovoljena šele po tem, ko ste navodila prebrali v celoti v ustreznem jeziku svoje dežele in jih tudi razumeli.

SK – POZOR: Produkt INNOTECH môžete používať až po prečítaní a porozumení celého návodu na použitie pre príslušnú krajinu.

HU – FIGYELEM: Az INNOTECH termékek használatá csak azt követően engedélyezett, hogy saját nyelvén elolvasta és megértette a teljes használati utasítást.

TR – DİKKAT: INNOTECH ürününün kullanımına ancak ilgili ülkenin dilinde sunulmuş olan kullanım kılavuzunun tamamen okunmasından ve anlaşılmasından sonra izin verilir.

ZH – 注意：只有在仔细阅读并完全理解了当地语言的使用说明后，才能使用 INNOTECH 公司的产品。

[2]	DESCRIPTION OF SYMBOLS	3
[3]	SAFETY INSTRUCTIONS	4
[4]	COMPONENTS/MATERIAL	6
[5]	PRODUCT SUITABILITY/APPROVAL	9
[6]	INSPECTION	10
[7]	WARRANTY	11
[8]	SIGNS & MARKINGS	11
[9]	INSTALLATION TOOLS	12
[10]	INSTALLATION	13
[11]	SYSTEM-PARAPET AT TOP	13
[12]	SYSTEM-PARAPET AT SIDE	23
[13]	SYSTEM-PARAPET AT SIDE, HINGED	32
[14]	DISPOSAL	41
[15]	ACCEPTANCE LOG	42
[16]	INFORMATION ON THE SAFETY SYSTEM	44
[17]	TEST LOG	45
[18]	DEVELOPMENT & SALES	47



Warning/danger information

An **IMMEDIATE** threat of danger that can cause serious physical injuries or death.



A **POTENTIALLY** dangerous situation that causes serious physical injuries or death.



A **POTENTIALLY** dangerous situation that could lead to minor physical injuries and damage to property.



Wear protective gloves!



Wear safety glasses!



Supplementary information/instructions



correct



incorrect



Comply with manufacturer's instructions/applicable instruction manuals.



Work surface: Surface on which the persons stand, walk, or work. All vertical dimension specifications are provided in relation to this surface.



Danger of falling/edge

Comply with the following safety instructions and the latest state of the art.

3.1 GENERAL

- The safety system may be installed only by specialised/competent experts familiar with the system safety system, and in compliance with the current state of the art.
- The safety system may be installed or used only by persons who are:
 - trained in "personal protective equipment" (PPE),
 - in good physical and mental health (medical conditions such as cardiovascular problems, intake of medicines, consumption of alcohol, etc. negatively affect the safety of the user.)
 - familiar with the locally applicable safety regulations.
- A plan must be available that specifies the rescue procedures for all possible emergencies.
- Before starting work, ensure that no objects from the work site can fall to the ground. The area below the work site (pavement, etc.) must be kept clear.
- Plan, install, and use the safety system in such a way that no-one can fall over the edge if it is used correctly. See planning documents at www.innotech.at.
- Do not make any changes to the safety system.
- The maximum roof pitch of the installation substructure must not exceed 10°.
- If used on inclined roof surfaces, roof avalanches (ice, snow) must be avoided by means of suitable snow interception devices.
- During the installation/use of the safety system, the relevant accident prevention regulations must be complied with, as must the rules and standards for the use of personal protective equipment designed to prevent falls.
- When installation is complete, this instruction manual must be stored by the building owner and made available to the user.
- If you supply the safety system to external contractors, these latter must confirm in writing that they have understood this instruction manual.
- If the equipment is sold to another country, the instructions of use must be provided in the respective national language.
- Comply with the local lightning protection regulations.

3.2 FOR FITTERS: FOR SAFE INSTALLATION

- All stainless steel bolts must be greased with a suitable lubricant before installation (provided: Weicon AntiSeize ASW 10000 or equivalent quality)
- Ensure that stainless steel does not come into contact with swarf or steel tools, as this can lead to corrosion.
- For installation, always select a safety system that is suitable for the prevailing conditions.
- The fitter must ensure that the substructure is suited for fixing the anchorage device.
- The substructure must be free of snow and ice throughout the installation.
- The safety system must consist of at least 2 posts.
- Use dowel logs and photos of each installation situation to document the professional attachment of the safety system to the building structure.
- The roof covering must be correctly sealed as per applicable guidelines.



If uncertainties arise during the installation, it is imperative that you contact the manufacturer.

3.3 FOR USERS: FOR SAFE USE

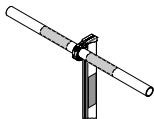
- Correct use of the individual elements including "personal protective equipment" must be ensured, because otherwise the safe functioning of the safety system is NOT guaranteed.
- Do not use safety systems if wind speeds exceed normal parameters (max. wind zone 4).

4.1 COMPONENTS

Instruction manual



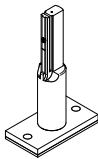
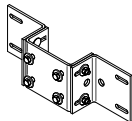
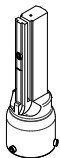
Z11: Rating plate



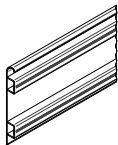
4.1 SYSTEM COMPONENTS

A10: Aluminium, stainless steel 304
 Adapter on the side of the parapet

A11: Aluminium, stainless steel 304
 Adapter on the side of the parapet, foldable

A22: Aluminium, stainless steel 304
 Parapet adapter for attachment on the top of the parapet

A31: Aluminium, stainless steel 304
 Spacer bracket for parapet

D82: Aluminium, stainless steel 304
 Adapter for AIO-STA post


F20: Aluminium
Toe board



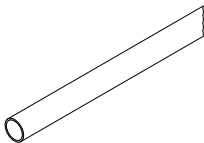
F21: Aluminium, stainless steel 304
Toe board bracket for fastening the toe board to the BARRIER-S21 post



F23: Aluminium, stainless steel 304
Toe board connection set



R11: Aluminium
Aluminium pipe, straight



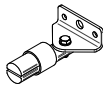
R21: Aluminium, stainless steel 304
Linear tie



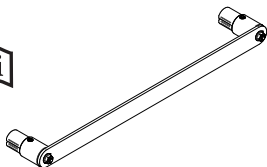
R31: Aluminium, plastic, stainless steel 304
Corner tie



R41: Aluminium, stainless steel 304
Wall tie



R51: Aluminium, stainless steel 304
End seal



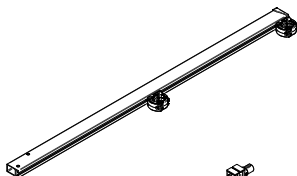
R70: Aluminium/zinc, stainless steel 304
Pipe retainer for BARRIER-R11 aluminium pipe



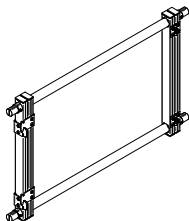
R91: Plastic
Cap for BARRIER-R11 aluminium pipe



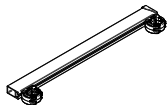
S21-1050: Aluminium, aluminium/zinc,
stainless steel 304
Post, PARAPET system
Standard length: 1050 mm
Special lengths upon request



T30: Aluminium, stainless steel 304
Door set



S23-560: Aluminium, aluminium/zinc, stainless steel 304
Stiffening strut



Z22: Aluminium/zinc
End cap for a standard upright



INNOTECH "BARRIER" was developed as a **side protection system** (railing) for collective, permanent fall prevention on roof surfaces which are not publicly accessible.



DANGER

DANGER TO LIFE through incorrect use.

- Use INNOTECH "BARRIER" ONLY for personal safety.
- Do NOT climb onto the INNOTECH "BARRIER".
- NEVER lean ladders against the INNOTECH "BARRIER".
- DO NOT use INNOTECH "BARRIER" as a personal leaning support for hoisting or lowering scaffolds, construction and cleaning materials, etc.



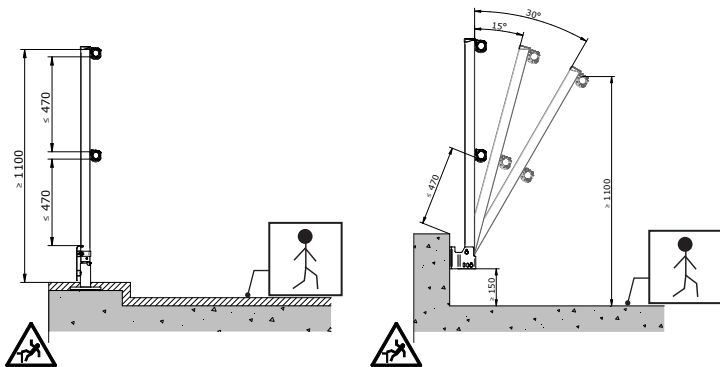
Comply with the manufacturer's instructions for the personal protective equipment being used.

INNOTECH "BARRIER" was tested and certified to the requirements of the standards EN ISO 14122-3:2016, DIN 14094-2:2017, and DIN EN 13374:2019 class A.

The notified authority participating in the type test is:

DEKRA Testing and Certification GmbH, Dinnendahlstrasse 9, D-44809 Bochum, Germany

5.1 ASSEMBLY VARIANTS



Pipe bracket always in the direction of the work surface!

6.1 INSPECT BEFORE EVERY USE

Prior to each use, INNOTECH "BARRIER" must be inspected visually for any obvious defects.



DANGER TO LIFE through damage to the INNOTECH "BARRIER".

- INNOTECH "BARRIER" must be in perfect working condition.
- Do NOT continue to use INNOTECH "BARRIER" if
 - There is obvious damage or wear to its components,
 - Other defects were observed (loose threaded joints, deformation, corrosion, wear, etc.),
 - Strain has occurred due to a fall against or into the side protection system,
 - It is not possible to read the product labelling.

Check the entire safety system's suitability for use on the basis of the acceptance log and test log.



If there are any doubts concerning the safe use of the safety system, it must NOT be used any more, and must be checked by an expert (written documentation). If necessary, the product must be replaced.

6.2 INSPECT REGULARLY

INNOTECH "BARRIER" is maintenance-free. Every 2 years, the system must be inspected by an expert, familiar with the safety system. The user's safety depends on the effectiveness and durability of the equipment.

Shorter inspection intervals may be required, depending on the intensity of use and the environment (e.g. in corrosive atmospheres, etc.).

Document the inspection by the specialist/competent expert in the test log of the instruction manual, and keep this with the instruction manual.



Refer to the test log for inspection intervals.

7

WARRANTY

The warranty period for manufacturing defects on all components (under normal conditions of use) is 2 years from the date of purchase. The time limit is shortened if it is used in corrosive atmospheres.

If there is strain (a fall, weight of snow, etc.), the warranty claim is void for those components that are designed to absorb energy or to deform.



For system installation and for components planned and installed under the responsibility of specialised installation companies, INNOTECH assumes neither responsibility nor warranty in the case of incorrect installation.

8

SIGNS & MARKINGS

- | | |
|---|--|
| A) Name or logo of the manufacturer/retailer: | INNOTECH |
| B) Type designation: | BARRIER |
| C) Signs stating that instructions for use must be followed: | |
| D) Year of manufacture and manufacturer's serial number: | JJJJ-...-... |
| E) Numbers of the applicable standards: | DIN EN 13374:2019 class A,
DIN EN ISO 14122-3:2016,
DIN 14094-2:2017 |
| F) System no.: | Allocation of numbers if there are several side protection systems |
| G) Length: | Length of the side protection system in metres |
| H) Date of installation: | Year installed: <input checked="" type="checkbox"/> |
| I) Name & address of the installation company: | Installed by: |

A INNOTECH BARRIER **B**

F system no. **C** **I** Installed by:

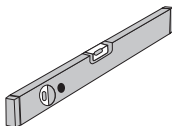
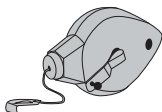
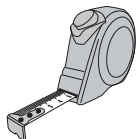
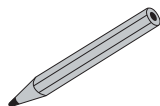
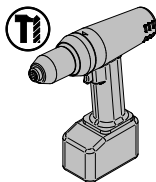
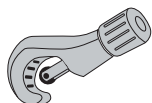
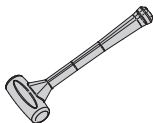
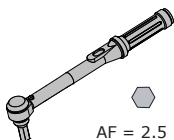
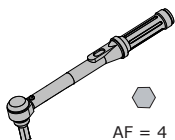
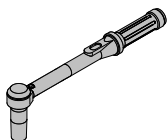
G length: m

E DIN EN 13374:2019 class A
EN ISO 14122-3:2016
DIN 14094-2:2017

D S.Nr.: JJJJ-...-... **H** date of installation:
XXXX XXXX XXXX

I www.innotech.at **H** 11-08-11-010-Aufkleber-EN-D

[mm]



Installation tools, various replacement parts and accessories are available from INNOTECH (www.innotech.at) (see INNOTECH price list).

10 INSTALLATION



DANGER TO LIFE if NOT correctly installed.

- Install INNOTECH "BARRIER" correctly as per the instruction manual.
- Comply with the specified tightening torques.



INJURIES from sharp edges on components.

- Wear protective gloves for the installation work.



EYE INJURIES from dust/splinters/liquid.

- Wear eye protection/safety glasses for the installation work.

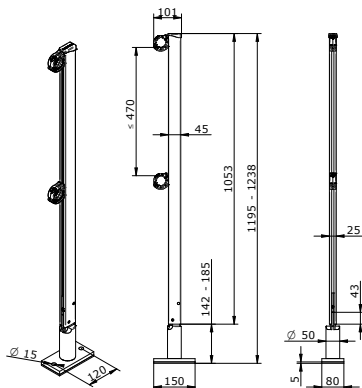


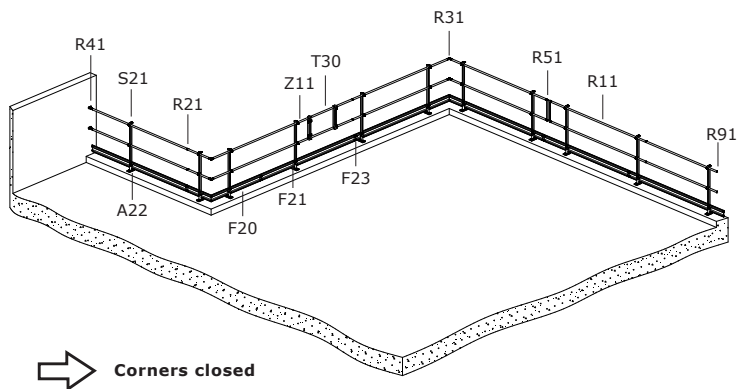
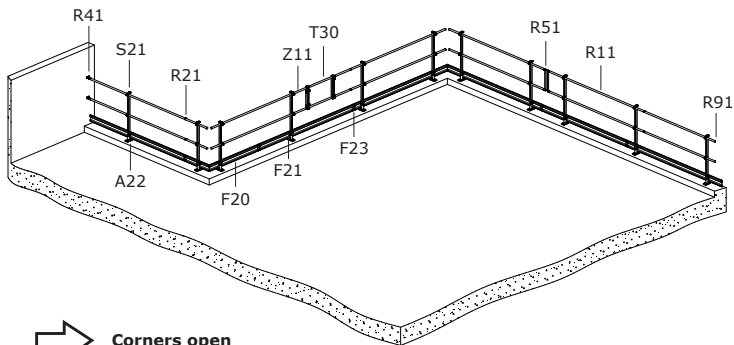
The separations, angles, etc. may vary with the circumstances of the safety system.

11 SYSTEM-PARAPET AT TOP

11.1 DIMENSIONS

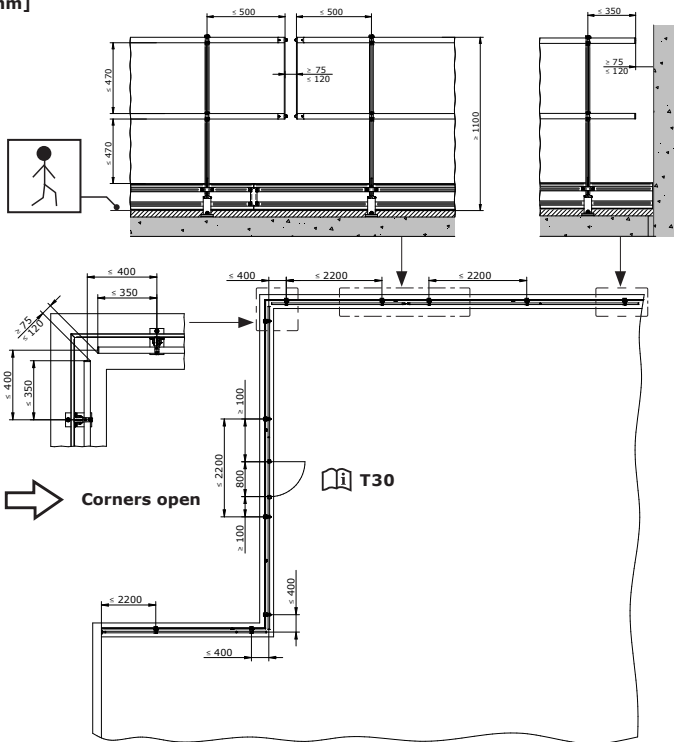
[mm]





11.3 IMPORTANT DISTANCES

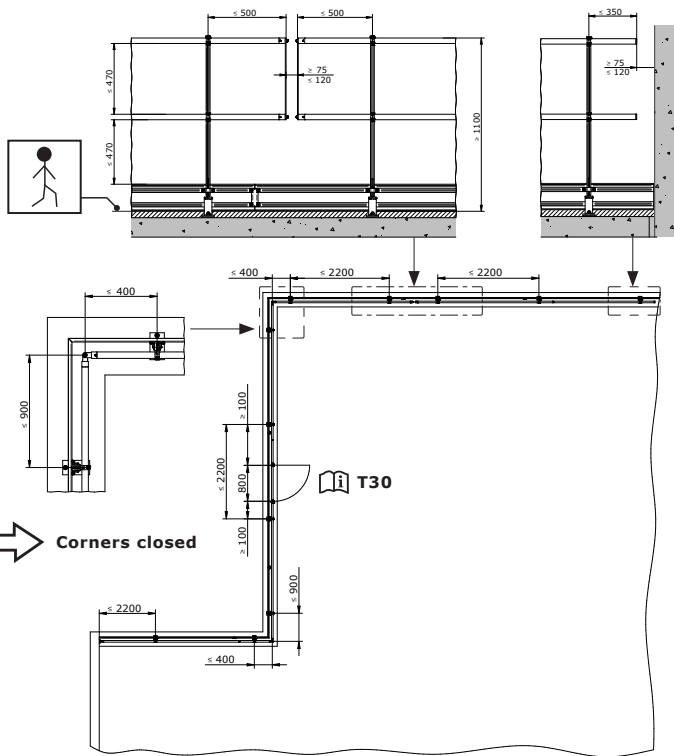
[mm]



All separations, angles, etc. may vary with the circumstances of the respective safety system.

The dimensions vertical to the floor always relate to the work **surface**.

[mm]



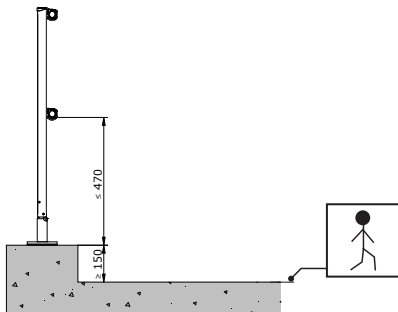
All separations, angles, etc. may vary with the circumstances of the respective safety system.

The dimensions vertical to the floor always relate to the work **surface**.

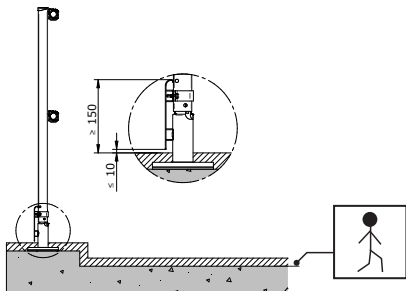
11.4 TOE BOARD

[mm]

If the parapet is ≥ 150 mm or the separation between the top edge of the parapet and the intermediate beam of the side protection system is ≤ 470 mm, then no toe board is required.



If the parapet is ≤ 150 mm, then a toe board is required.



The dimensions vertical to the floor always relate to the work **surface**.

11.5 INSTALLATION SUBSTRATE:

The basic requirement for professional/correct installation is statically load-bearing **construction concrete (massive concrete)** with a **concrete quality of a minimum of C20/25**, and the use of the original fasteners listed in this instruction manual.



DANGER

DANGER TO LIFE as a result of installation on unsuitable installation substructure.

- Install INNOTECH "BARRIER" on a statically load-bearing construction concrete (solid concrete) with a concrete quality of at least C20/25.
- **DO NOT install on screed, levelling concrete, blinding concrete, etc....**
- Ensure that dowels are used correctly, as specified in the dowel manufacturer's guidelines (correct cleaning of bores, compliance with curing times and processing temperature, edge distances of the dowels, inspection of the substructure, etc.)
- In case of doubt, have the installation substructure checked by a structural engineer or by the manufacturer.

11.6 FASTENING OPTIONS

INNOTECH "BEF-104"

4 x concrete anchors

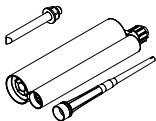
**ADHESIVE ANCHORS**

Adhesive anchor with M12 threaded rods, washer,

M12 lock nut, or nut with spring-lock washer

Penetration depth in concrete at least 100 mm

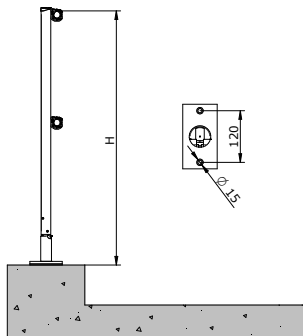
Compound mortar: FISCHER FIS SB 390 S HILTI HY 200



Use products from other manufacturers only if their technical specifications are equivalent (compare product data sheets).

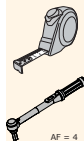
2 anchorage points are provided for installation.

(Parapet adapter for attachment on the top of the parapet A21: 2 x Ø 15 mm)

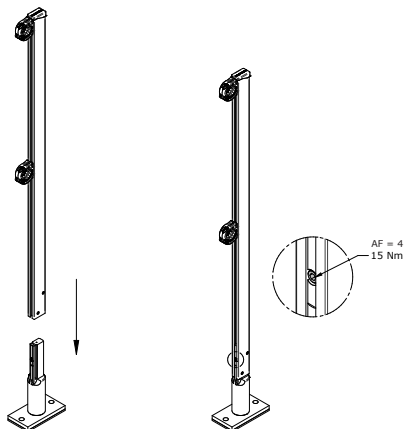


11.7 INSTALLATION

1.

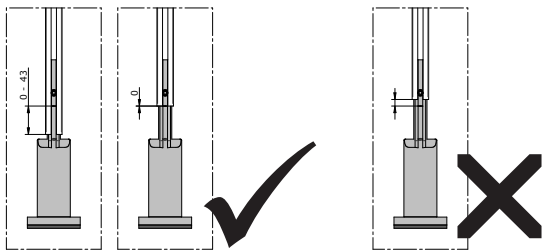


AF = 4



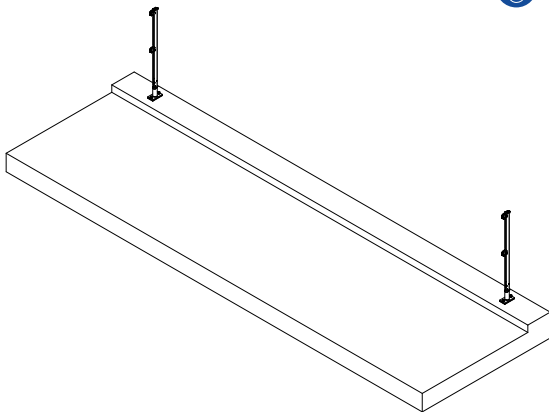
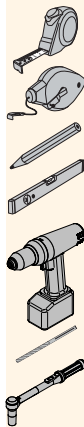
2.

Set the desired height. (Adjustment range = 43 mm)

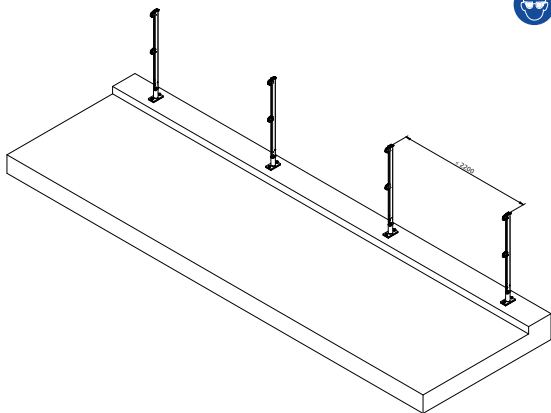
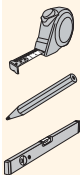


Comply with the adjustment range.

3.

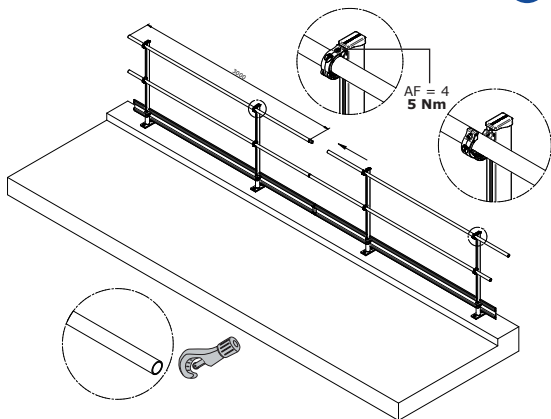


4.

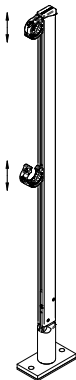
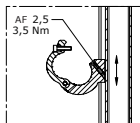


5.

Cut the R11 aluminium pipe to length.



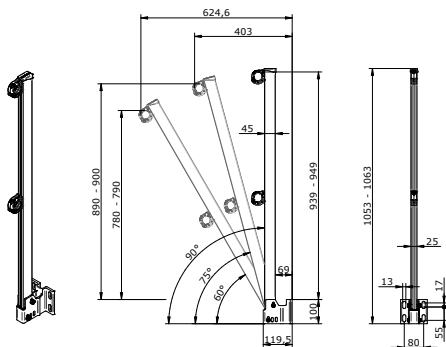
6.



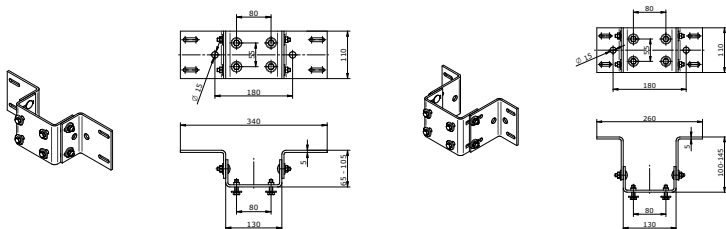
OPTIONAL: Height adjustment of the pipe bracket

12.1 DIMENSIONS

[mm]



A31 spacer bracket:

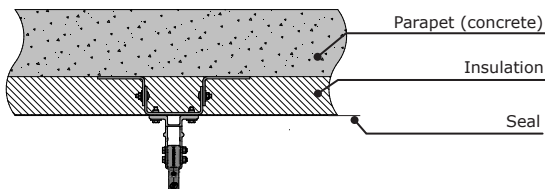


Assembly:

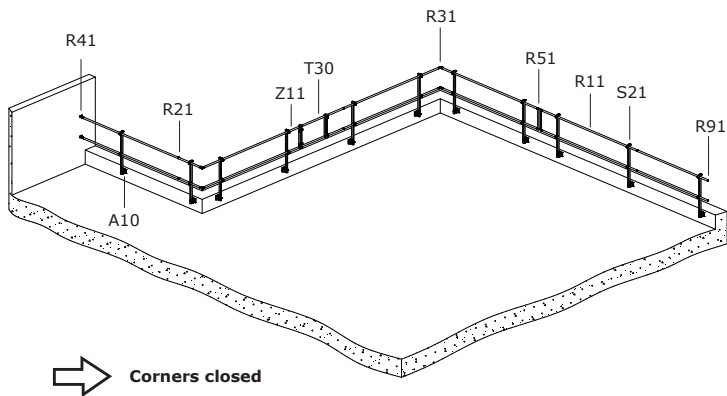
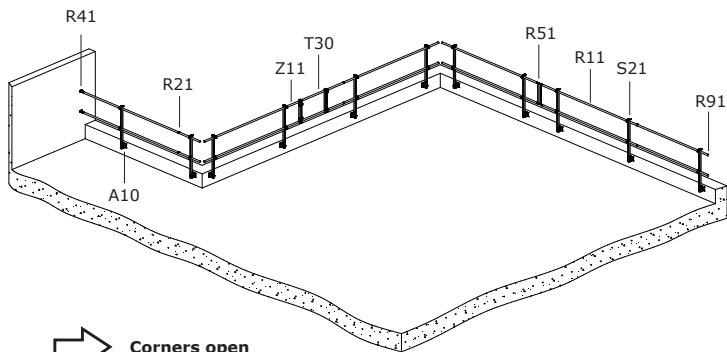
VARIANT I

VARIANT II

EXAMPLE OF USE:

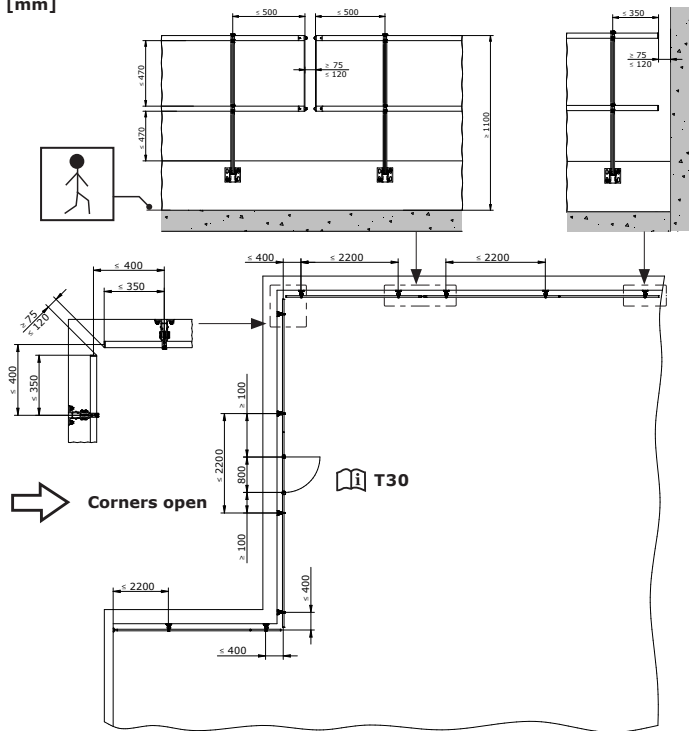


12.2 OVERVIEW



12.3 IMPORTANT DISTANCES

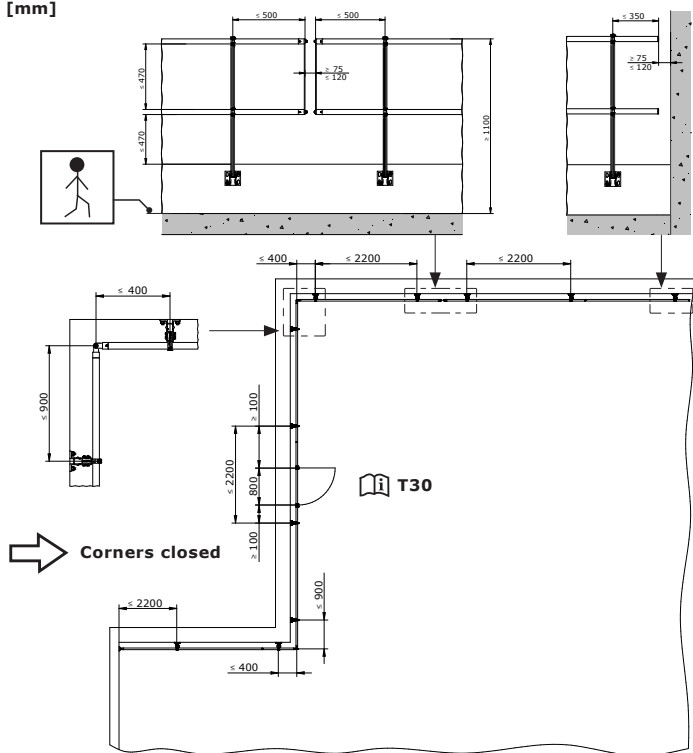
[mm]



All separations, angles, etc. may vary with the circumstances of the respective safety system.

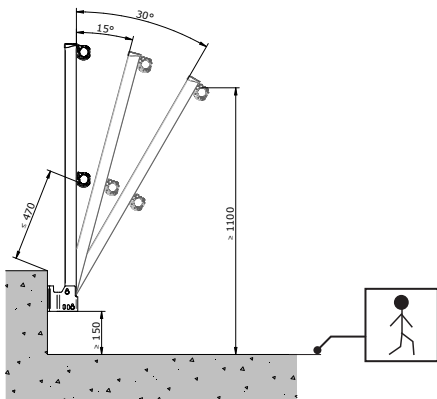
The dimensions vertical to the floor always relate to the work **surface**.

[mm]



All separations, angles, etc. may vary with the circumstances of the respective safety system.

The dimensions vertical to the floor always relate to the work **surface**.



The dimensions vertical to the floor always relate to the work **surface**.

12.4 INSTALLATION SUBSTRUCTURE

The basic requirement for professional/correct installation is statically load-bearing **construction concrete (massive concrete)** with a **concrete quality of a minimum of C20/25**, and the use of the original fasteners listed in this instruction manual.



DANGER

DANGER TO LIFE as a result of installation on unsuitable installation substructure.

- Install INNOTECH "BARRIER" on a statically load-bearing construction concrete (solid concrete) with a concrete quality of at least C20/25.
- **DO NOT install on screed, levelling concrete, blinding concrete, etc....**
- Ensure that dowels are used correctly, as specified in the dowel manufacturer's guidelines (correct cleaning of bores, compliance with curing times and processing temperature, edge distances of the dowels, inspection of the substructure, etc.)
- In case of doubt, have the installation substructure checked by a structural engineer or by the manufacturer.

12.5 FASTENING OPTIONS

INNOTECH "BEF-104"

4 x concrete anchors



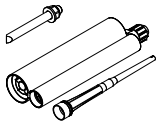
ADHESIVE ANCHORS

Adhesive anchor with M12 threaded rods, washer, M12 lock nut, or nut with spring-lock washer

Penetration depth in concrete at least 100 mm

Compound mortar: FISCHER FIS SB 390 S

HILTI HY 200

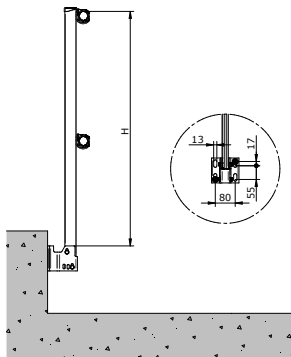


Use products from other manufacturers only if their technical specifications are equivalent (compare product data sheets).

4 anchorage points are provided for installation.

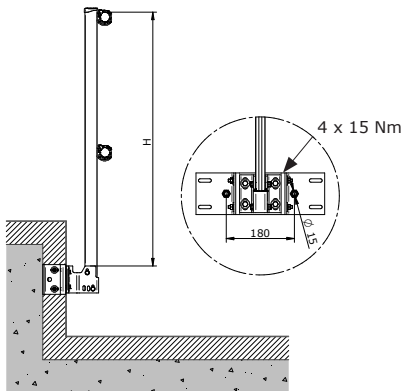
(Adapter on the side of the parapet A10: 4 long holes: $\varnothing 13 \times 17$ mm)

When installing the system directly on the parapet, use 2 anchorage points diagonally.



2 anchorage points are provided for installation of the spacer bracket.

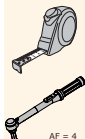
(Adapter on the inside of the parapet A11: 2 x $\varnothing 15$ mm)



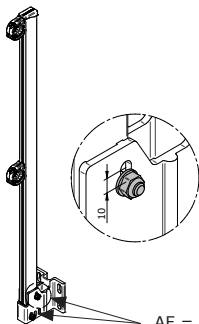
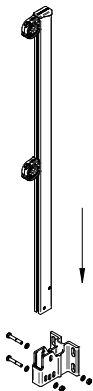
12.6 INSTALLATION

1.

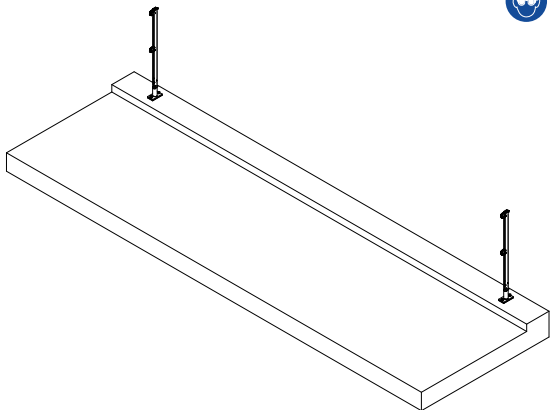
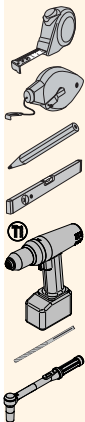
Set the desired height. (Adjustment range = 10 mm)



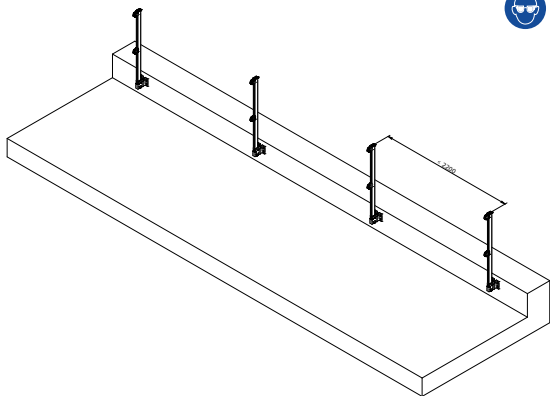
AF = 4

AF = 4
2 x 15 Nm

2.

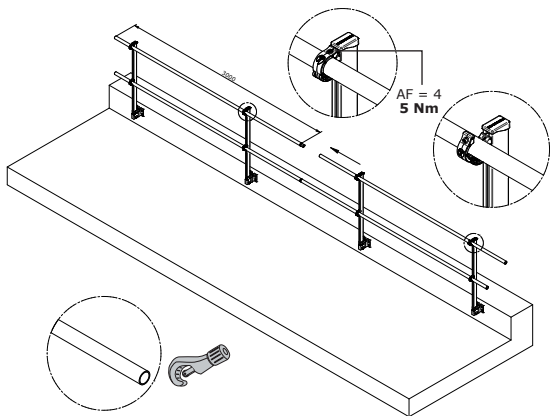


3.



4.

Cut the R11 aluminium pipe to length.



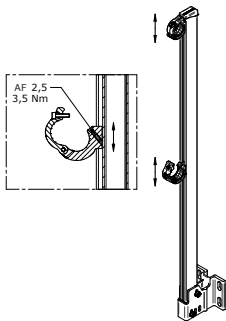
12

SYSTEM-PARAPET AT SIDE

5.



AF = 2,5



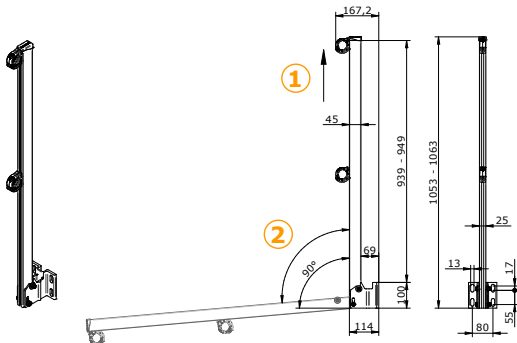
OPTIONAL: Height adjustment of the pipe bracket

13

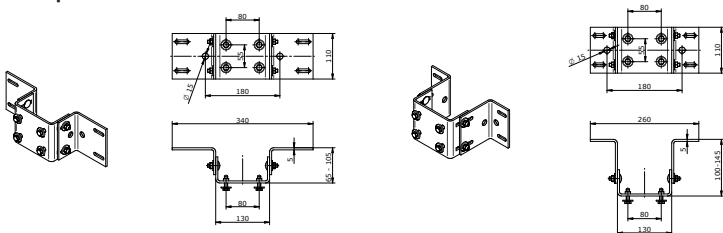
SYSTEM-PARAPET AT SIDE, HINGED

13.1 DIMENSIONS

[mm]



A31 spacer bracket:

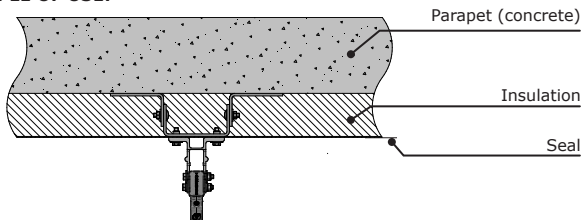


Assembly:

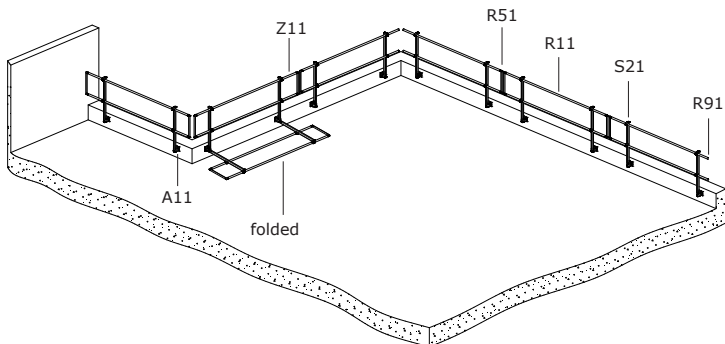
VARIANT I

VARIANT II

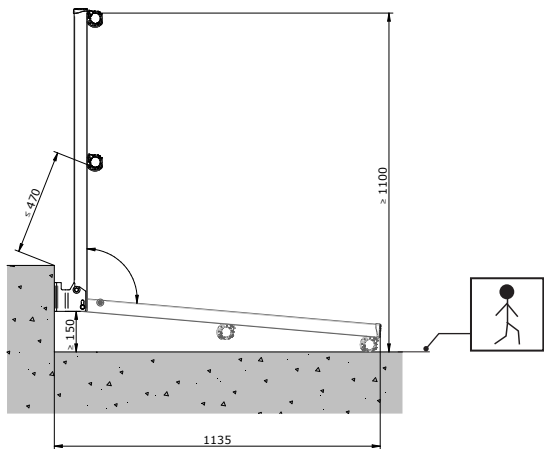
EXAMPLE OF USE:



13.2 OVERVIEW



Adapter on the inside of the parapet, hinged, A11 must be installed at least 150 mm above the surface (e.g. gravel filling or vegetation layer).



The dimensions vertical to the floor always relate to the work **surface**.

13.4 INSTALLATION SUBSTRUCTURE

The basic requirement for professional/correct installation is statically load-bearing **construction concrete (massive concrete)** with a **concrete quality of a minimum of C20/25**, and the use of the original fasteners listed in this instruction manual.



DANGER

DANGER TO LIFE as a result of installation on unsuitable installation substructure.

- Install INNOTECH "BARRIER" on statically load-bearing construction concrete (solid concrete) having a concrete quality of at least C20/25.
- **DO NOT install on screed, levelling concrete, blinding concrete, etc....**
- Ensure that dowels are used correctly, as specified in the dowel manufacturer's guidelines (correct cleaning of bores, compliance with curing times and processing temperature, edge distances of the dowels, inspection of the substructure, etc.)
- In case of doubt, have the installation substructure checked by a structural engineer or by the manufacturer.

13.5 FASTENING OPTIONS

INNOTECH "BEF-104"

4 x concrete anchors



ADHESIVE ANCHORS

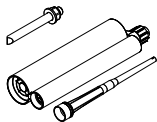
Adhesive anchor with M12 threaded rods, washer,

M12 lock nut, or nut with spring-lock washer

Penetration depth in concrete at least 100 mm

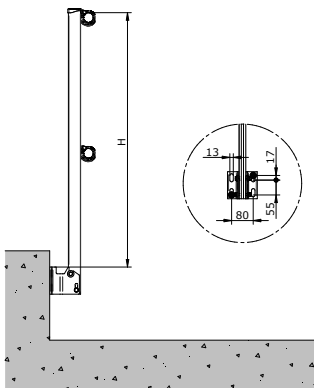
Compound mortar: FISCHER FIS SB 390 S

HILTI HY 200

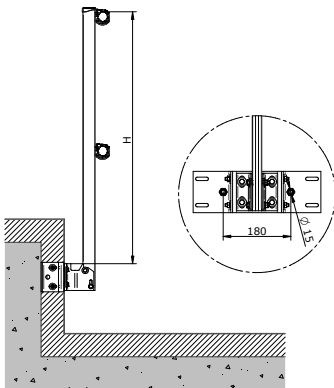


Use products from other manufacturers only if their technical specifications are equivalent (compare product data sheets).

4 anchorage points (use 2 anchorage points) are provided for installation.
 (Adapter on the side of the parapet, hinged A11: 4 long holes: $\text{Ø } 13 \times 17 \text{ mm}$)
 When installing the system directly on the parapet, use 2 anchorage points diagonally.

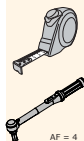


2 anchorage points are provided for installation of the spacer bracket.
 (Adapter on the inside of the parapet, hinged A31: 2 x $\text{Ø } 15 \text{ mm}$)

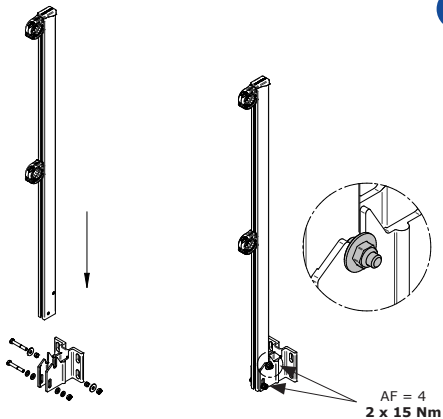


13.6 INSTALLATION

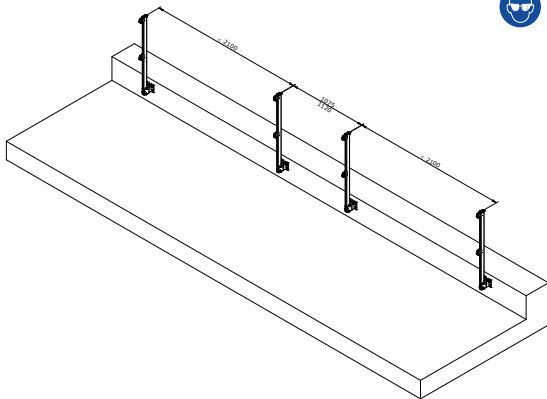
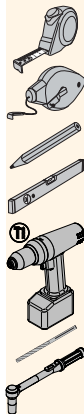
1.



AF = 4

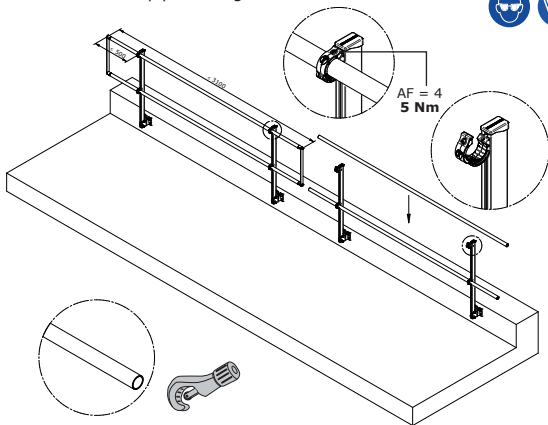


2.

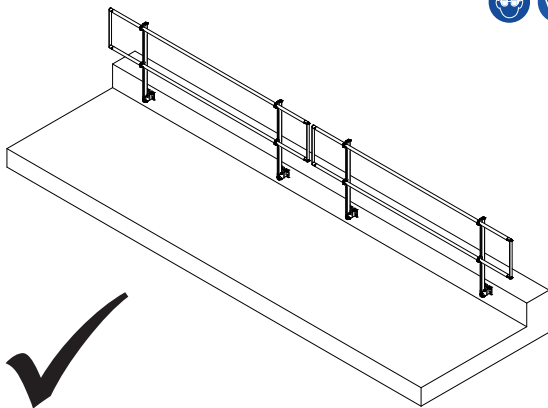


3.

Cut the R11 aluminium pipe to length.



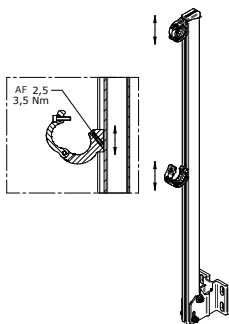
4.



5.



AF = 2,5



OPTIONAL: Height adjustment of the pipe bracket

1.

The safety system is dismantled in reverse order to the installation instructions.



Protect by means of an alternative safety system.

2.

Do NOT dispose of the safety system in household waste. As per national requirements, collect the used parts together, and dispose of them in an environmentally correct manner.

ACCEPTANCE LOG NO. _____ (PART 1/2)

S I D E P R O T E C T I O N S Y S T E M

ORDER NUMBER:

PROJECT:**CLIENT:**Specialist:

Company address:

CONTRACTOR:Specialist:

Company address:

INSTALLATION: Side protection system**DESIGNATION:** Side protection system no. _____ Length: _____mSpecialist:

Company address:

15 COPY TEMPLATE ACCEPTANCE LOG

ACCEPTANCE LOG NO. _____ (PART 2/2)

S I D E P R O T E C T I O N S Y S T E M

FASTENER & PHOTO DOCUMENTATION

INSTALLATION SUBSTRUCTURE _____

(e.g.: solid concrete quality: C20/25)

Date:	Location:	Dowel type: Fastening/ adhesive type:	Setting depth: [mm]	Drill bit Ø: [mm]	Tightening torque:	Photos: (storage location)
			mm	mm	Nm	
			mm	mm	Nm	
			mm	mm	Nm	

The installation company who signs warrants correct workmanship (edge spacing, inspection of the substructure, proper cleaning of bores, compliance with curing times and processing temperature, compliance with the dowel manufacturer's guidelines, etc.)

The client accepts the work performed by the contractor. The user instructions, documentation of the fastenings, and photo documentation and test sheets have been transferred to the client (building owner) and have been made available to the user. When accessing the fall protection system, the building owner must document the positions of the side protection system by means of diagrams (e.g. top view of the roof).

The expert installer familiar with the fall protection system confirms that the installation work has been executed correctly, as per the state of the art, and in accordance with the manufacturer's instructions for use. The technical safety reliability is confirmed by the installation company.

Comments: _____

Included in lightning protection system?

 Yes No

Name: _____

Client

Fitter, anchorage points

Date, company stamp, signature

Date, company stamp, signature

Fitter of side protection system

Date, company stamp, signature

16 INFORMATION ON THE SAFETY SYSTEM

INFORMATION ON THE EXISTING SAFETY SYSTEM

The building owner must affix this notice in a conspicuous location at the access point to the system.

This system must be used in accordance with the state of the art and the instruction manual.

The storage location for the instruction manuals, test logs, etc. is:

- Overview plan showing the position of the side protection system:

Draw in the areas where there is a break-through hazard (such as skylights and/or light strips)!

Damaged parts of the railing must be replaced immediately by a competent/specialised person who is familiar with the BARRIER side protection system.

TEST LOG NO. _____ (PART 1/2)

S I D E P R O T E C T I O N S Y S T E M

ORDER NUMBER: _____

PROJECT: _____

PRODUCT: Item _____ Year of construction/Serial number: _____

(Type designation EAP/anchorage point)

SYSTEM INSPECTION CARRIED OUT ON: _____

LATEST DATE FOR SYSTEM INSPECTION: _____

CLIENT: _____ Specialist: _____ 

Company address: _____

CONTRACTOR: _____ Specialist: _____ 

Company address: _____

INSPECTION POINTS: <input checked="" type="checkbox"/> inspected and OK.	DEFECTS DETECTED: (Description of defects/measures)
DOCUMENTATION:	
<input type="checkbox"/> Instruction manual	
<input type="checkbox"/> Acceptance logs/fastener documentation/ photo documentation	
Adapters and attachment: (firm seat, threaded joints (tightening torque), no deformation, etc.)	
<input type="checkbox"/> VARIO: <input type="checkbox"/> V20 <input type="checkbox"/> V12 <input type="checkbox"/> V82 <input type="checkbox"/> V92	
<input type="checkbox"/> PARAPET: <input type="checkbox"/> A10 <input type="checkbox"/> A11 <input type="checkbox"/> A22 <input type="checkbox"/> A31	
<input type="checkbox"/> ROOF: <input type="checkbox"/> D10 <input type="checkbox"/> D82	
Posts: (firm seat, threaded joints (tightening torque), no deformation, etc.)	
<input type="checkbox"/> VARIO: <input type="checkbox"/> S20	
<input type="checkbox"/> PARAPET: <input type="checkbox"/> S21	
<input type="checkbox"/> ...	
Separations: (Max. separation between posts 2200 mm, separation from the work surface, etc.)	
<input type="checkbox"/> Separations for the applicable system as per instruction manual	
<input type="checkbox"/> ...	
Aluminium pipe: (firm seat, threaded joints (tightening torque), no deformation, etc.)	
<input type="checkbox"/> Aluminium pipes <input type="checkbox"/> R11	
<input type="checkbox"/> ...	

TEST LOG NO. _____ (Part 2/2)

S I D E P R O T E C T I O N S Y S T E M

INSPECTION POINTS: inspected and OK.

DEFECTS DETECTED:
(Description of defects/measures)

Ties:

(firm seat, threaded joints (tightening torque), no deformation, etc.)

Linear tie R21

Corner tie R31

Wall tie R41

...

Toe board:

(firm seat, threaded joints (tightening torque), no deformation, etc.)

Toe board F20

Toe board bracket F21 F22

Toe board connection set F23

...

Door element:

(firm seat, closing function, spring, screwed connections (tightening torque), no deformation, etc.)

Door element T30

...

Acceptance result: The safety system corresponds to the manufacturer's instruction manual, and to the state of the art. Technical safety reliability is confirmed.

Comments: _____

Name: _____

Client

Inspection: Contractor (expert who is familiar with the safety system)

Date, company stamp, signature

Date, company stamp, signature

INNOTECH Arbeitsschutz GmbH, Laizing 10, 4656 Kirchham/Austria
www.innotech.at

