



Instruction manual

DE – ACHTUNG: Die Verwendung des INNOTECH-Produkts ist erst zulässig, nachdem die Gebrauchsanleitung in der jeweiligen Landessprache vollständig gelesen und verstanden wurde.

EN – ATTENTION: Use of the INNOTECH product is permitted only after the instruction manual has been read and fully understood in the respective language.

IT – ATTENZIONE: L'utilizzo del prodotto INNOTECH è permesso solo previa lettura e comprensione dell'intero manuale di istruzioni nella lingua del relativo paese di utilizzo.

FR – ATTENTION : L'utilisation du produit INNOTECH n'est autorisée qu'après avoir entièrement lu et compris la notice d'utilisation dans la langue du pays concerné.

NL – ATTENTIE: Dit INNOTECH-product mag pas gebruikt worden nadat u de gebruikershandleiding in de taal van het betreffende land gelezen en begrepen hebt.

ES – ATENCIÓN: Se autorizará el uso de los productos INNOTECH una vez que se hayan leído y entendido las instrucciones de uso en el idioma del país.

PT – ATENÇÃO: O uso do produto INNOTECH apenas é permitido depois de ter lido e compreendido na totalidade as instruções de uso na respetiva língua nacional.

DK – GIV AGT: Du må først bruge et produkt fra Innotech, efter du har læst og forstået brugsvejledningen i fuldt omfang i dit lands sprog.

SV – O B S : Denna INNOTECH-produkt får inte användas förrän bruksanvisningen på respektive lands språk har lästs igenom och förståtts.

CZ – POZOR: Práce s výrobkem INNOTECH je povolena teprve po kompletním přečtení a porozumění návodu k použití v jazyku daného státu.

PL – UWAGA: Produkty firmy INNOTECH mogą być używane dopiero po dokładnym zapoznaniu się z całą instrukcją obsługi w ojczystym języku.

SL – POZOR: Uporaba izdelka INNOTECH je dovoljena šele po tem, ko ste navodila prebrali v celoti v ustreznem jeziku svoje dežele in jih tudi razumeli.

SK – POZOR: Produkt INNOTECH môžete používať až po prečítaní a porozumení celého návodu na použitie pre príslušnú krajinu.

HU – FIGYELEM: Az INNOTECH termékek használatra csak azt követően engedélyezett, hogy saját nyelvén elolvasta és megértette a teljes használati utasítást.

TR – DİKKAT: INNOTECH ürününün kullanımına ancak ilgili ülkenin dilinde sunulmuş olan kullanım kılavuzunun tamamen okunmasından ve anlaşılmasından sonra izin verilir.

ZH – 注意 : 只有在仔细阅读并完全理解了当地语言的使用说明后，才能使用 INNOTECH 公司的产品。

[2]	DESCRIPTION OF SYMBOLS	3
[3]	SAFETY INSTRUCTIONS	4
[4]	COMPONENTS/MATERIAL	6
[5]	PRODUCT SUITABILITY/APPROVAL	10
[6]	INSPECTION	11
[7]	WARRANTY	12
[8]	SIGNS & MARKINGS	12
[9]	INSTALLATION TOOL	13
[10]	INSTALLATION	14
[11]	SYSTEM VARIO	14
[12]	LIGHT DOME SYSTEM	24
[13]	ESCAPE ROUTE	25
[14]	SYSTEM-PARAPET AT TOP	29
[15]	SYSTEM-PARAPET AT SIDE	35
[16]	SYSTEM-PARAPET AT SIDE, HINGED	43
[17]	DISPOSAL	50
[18]	ACCEPTANCE LOG	51
[19]	INFORMATION ON THE FALL PROTECTION SYSTEM	53
[20]	TEST LOG	54
[21]	DEVELOPMENT & SALES	56

Warning/danger information

For an **IMMEDIATE** threat of danger that can cause serious physical injuries or death.



For a **POTENTIALLY** dangerous situation that can cause serious physical injuries or death.



For a **POTENTIALLY** dangerous situation that could lead to minor physical injuries and damage to property.



Wear protective gloves!



Wear safety spectacles!



Supplementary information/instructions.



correct



incorrect



Comply with manufacturer information/instruction manual.



Work surface: Surface on which persons stand, walk, or work.
All vertical dimension specifications are provided in relation to this surface.

Comply with the following safety instructions and the latest state of the art.

3.1 GENERAL

- The safety system may be installed only by specialised/competent experts familiar with the system fall protection system, and in compliance with the current state of the art.
- The safety system may be fitted or used only by persons who:
 - are trained in "personal protective equipment" (PPE),
 - are in good physical and mental health. (Medical conditions such as cardiovascular problems, intake of medicines, consumption of alcohol, etc. negatively affect the safety of the user.),
 - are familiar with the locally applicable safety regulations.
- Before starting work, ensure that no objects can fall to the ground from the work site. The area below the work site (pavement, etc.) must be kept clear.
- Plan, install, and use the fall protection system in such a way that no-one can fall over the edge if it is used correctly.
See planning documents at www.innotech.at.
- Do not make any changes to the fall protection system.
- The maximum roof pitch of the installation substructure must not exceed 10°.
- If used on sloping roofs, roof avalanches (ice, snow) must be avoided by means of suitable devices to intercept snow.
- During the installation/use of the fall protection system, the relevant accident prevention regulations must be complied with, as must the rules and standards for the use of personal protective equipment designed to prevent falls.
- When installation is complete, these instructions must be stored by the building owner and made available to the user.
- If you provide the fall protection system to external contractors, understanding of this instruction manual has to be confirmed in written form.
- If the equipment is sold to another country, the instructions for use must be provided in the respective national language.
- Comply with the local lightning protection regulations.

3.2 FOR INSTALLERS: FOR SAFE ASSEMBLY

- All stainless steel bolts must be greased with a suitable lubricant before installation (included: Weicon AntiSeize ASW 10000 or equivalent quality).
- Ensure that stainless steel does not come into any contact with swarf or steel tools, as this may lead to corrosion.
- For installation, always select a fall protection system that is suitable for the predominant conditions.
- The installer must ensure that the substructure is suited for fixing the anchorage device.
- The substructure must be free of snow and ice throughout the installation.
- The fall protection system must consist of at least 2 posts.
- Document the professional attachment of the fall protection system to the building structure with dowel logs and photos of each fitting situation.
- The roof covering must be correctly sealed in accordance with applicable guidelines.



If uncertainties arise during installation, it is imperative that you contact the manufacturer.

3.3 FOR USERS: FOR SAFE USE

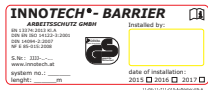
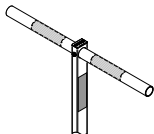
- Correct use of the individual elements including "personal protective equipment" must be ensured, because otherwise the safe functioning of the fall protection system is NOT guaranteed.
- Do not use fall protection systems if wind speeds exceed normal parameters (max. wind zone 4).

4.1 COMPONENTS

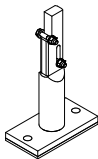
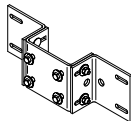
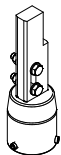
Instruction manual



Z11: Rating plate

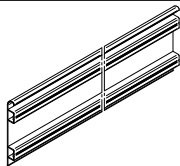


4.1 SYSTEM COMPONENTS

A10: Aluminium, stainless steel 304
Adapter on the side of the parapetA11: Aluminium, stainless steel 304
Adapter on the side of the parapet, foldableA21: Aluminium, stainless steel 304
Parapet adapter for attachment on the top of the parapetA31: Aluminium, stainless steel 304
Spacer bracket for parapetD81: Aluminium, stainless steel 304
Adapter for A10-STA post

F20: Aluminium

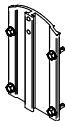
Toe board

**F21:** Aluminium, stainless steel 304

Toe board bracket for fastening the toe board to the BARRIER-S13 post

**F22:** Aluminium, stainless steel 304

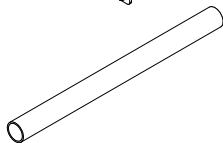
Toe board bracket for fastening the toe board to the VARIO BARRIER-V12 foot unit

**F23:** Aluminium, stainless steel 304

Toe board tie set

**R11:** Aluminium

Aluminium pipe, straight

**R21:** Aluminium, stainless steel 304

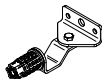
Linear tie

**R30:** Aluminium, plastic

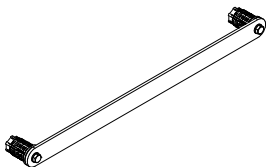
Corner tie

**R40:** Aluminium, plastic

Wall tie



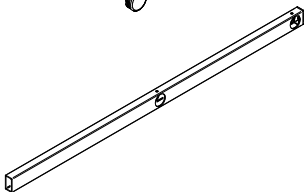
R50: Aluminium, plastic
End seal



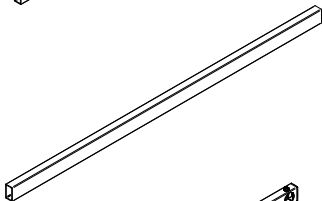
R91: Plastic
Cap for BARRIER-R11 aluminium pipe



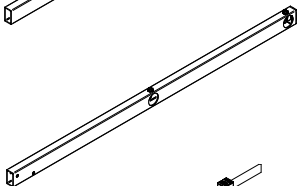
S11-1080: Aluminium, stainless steel 304
Post, system VARIO
Standard length: 1080 mm
Special lengths upon request!



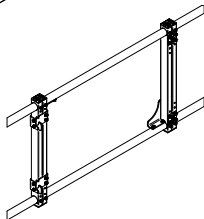
S12-1150: Aluminium
Boom
Standard length: 1150 mm
Standard length for escape route as per plans
Special lengths on request!



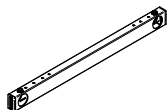
S13-1050: Aluminium, stainless steel 304
Post, straight, fastened
Standard length: 1050 mm
Special lengths on request!



T20: Aluminium, stainless steel 304
Door set



T23: Aluminium, stainless steel 304
Side bar



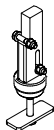
V10: Plastic, concrete
VARIO weight, 25 kg



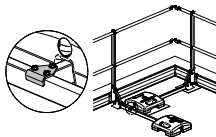
V12: Aluminium, stainless steel 304
VARIO foot unit



V81: Aluminium, stainless steel 304
VARIO adapter foot



V91: Aluminium, stainless steel 304
VARIO corner tie



Z33-250: Polyurethane
Underlay mat 250 x 250 mm



Z50-3000: Aluminium
Footway rail for emergency escape route



INNOTECH "BARRIER" was developed as a side protection system (railing) for collective, permanent fall prevention on roof areas which are not publicly accessible.



DANGER

DANGER TO LIFE through incorrect use.

- Use INNOTECH "BARRIER" ONLY for personal safety.
- DoNOT climb onto the INNOTECH "BARRIER".
- NEVER lean ladders against the INNOTECH "BARRIER".
- DO NOT use INNOTECH "BARRIER" as a personal leaning support for hoisting or lowering scaffolds, construction and cleaning materials, etc.



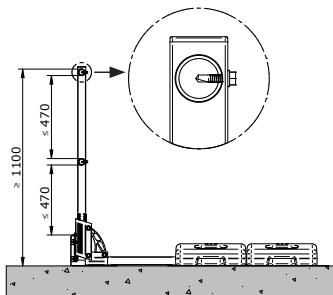
Comply with the manufacturer's instructions for the personal protective equipment which is used.

INNOTECH "BARRIER" was tested and certified to the requirements of the standards DIN EN ISO 14122-3:2001, DIN 14094-2:2007, EN 13374:2013 class A, NF E 85-015:2008.

The notified authority participating in the type test:

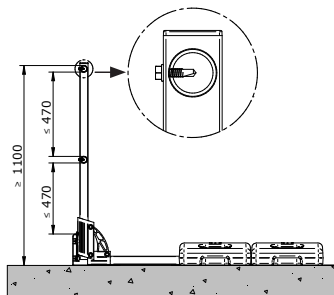
DEKRA EXAM GmbH, Dinnendahlstrasse 9, D-44809 Bochum, Germany

5.1 ASSEMBLY VARIANTS BY STANDARD



When assembling to the requirements of the standards **DIN EN ISO 14122-3:2001, DIN 14094-2:2007, EN 13374:2013 class A:**

bolts on the inside of the side protection system



When assembling to the requirements of standard **NF E 85-015:2008 (France):** bolts on the outside of the side protection system

6.1 CHECK BEFORE EVERY USE

Prior to each use, INNOTECH "BARRIER" must be inspected visually for any obvious defects.

**DANGER TO LIFE through damage to the INNOTECH "BARRIER".**

- INNOTECH "BARRIER" must be in perfect working condition.
- Do NOT continue to use INNOTECH "BARRIER" if
 - Damage or wear to its components is obvious,
 - Other defects were observed (loose screwed connections, deformation, corrosion, wear, etc.),
 - Strain occurred due to a fall against or into the side protection system,
 - The product identification is illegible.

Check the entire fall protection system's suitability for use, by using the acceptance protocol and test protocol.



**If there are any doubts concerning the safe usage of the system, it is NOT allowed to be used anymore and has to be checked by an expert (written documentation).
If necessary, replace the product.**

6.2 INSPECT EVERY YEAR

INNOTECH "BARRIER" has to be inspected at least once a year by a specially trained technician who is familiar with the fall protection system. The user's safety depends on the effectiveness and durability of the equipment.

Shorter intervals between inspections may be required, depending on the intensity of use and the environment (e.g. in corrosive atmospheres, etc.).

Document the inspection of the specialist in the test log in the instruction manual, and keep it with the instruction manual.



Use the test intervals indicated in the test protocol.

7

WARRANTY

The warranty period for manufacturing defects on all components (under normal conditions of use) is 2 years from the date of purchase. The time limit is shortened if it is used in corrosive atmospheres.

If there is strain (a fall, weight of snow, etc.,) the warranty claim is void for those components that have been designed to absorb energy, or that may possibly be deformed.



For system installation and for components planned and installed under the responsibility of specialised installation companies, INNOTECH® assumes neither responsibility nor warranty in the case of incorrect installation.

8

SIGNS & MARKINGS

- | | |
|--|--|
| A) Name or logo of the manufacturer/retailer: | INNOTECH® |
| B) Type designation: | BARRIER |
| C) Signs stating that instructions for use must be followed: |  |
| D) Year of manufacture and manufacturer's serial number: | JJJJ-...-... |
| E) Numbers of the applicable standards: | EN 13374:2013 class A,
DIN EN ISO 14122-3:2001,
DIN 14094-2:2007,
NF E 85-015:2008, |
| F) GS mark of the testing authority: |  |
| G) System no.: | Allocation of numbers if there are several side protection systems |
| H) Length: | Length of the side protection system in metres |
| I) Date of installation: | Year installed: <input checked="" type="checkbox"/> 2015 <input type="checkbox"/> 2016 <input type="checkbox"/> 2017 <input type="checkbox"/> 2018 |
| J) Name & address of the installation company: | Installed by: |

(A)

INNOTECH® - BARRIER


ARBEITSSCHUTZ GMBH

EN 13374:2013 Kl.A
DIN EN ISO 14122-3:2001
DIN 14094-2:2007
NF E 85-015:2008

S.Nr.: JJJJ-...-...
www.innotech.at

system no.: _____
length: _____ m

(C)



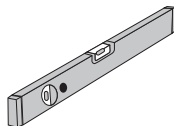
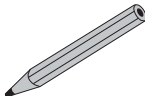
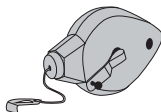
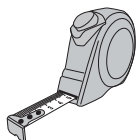
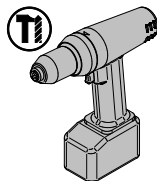
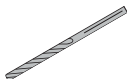
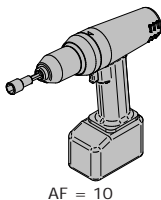
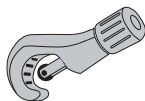
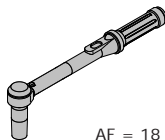
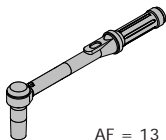
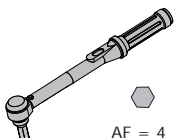
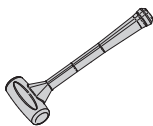
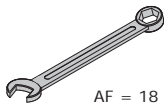
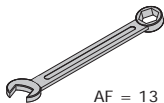
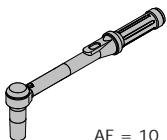
DEKRA
GS
Geprüfte Sicherheit

Installed by:

date of installation:
2015 2016 2017 2018

11-08-11-Z11-010-Aufkleber-EN-A

[mm]



Installation tool, various replacement parts and accessories are available from INNOTECH® (see INNOTECH® price list).

10 INSTALLATION



RISK TO LIFE if NOT correctly installed.

- Install INNOTECH "BARRIER" correctly in accordance with the user instructions.



- Comply with the specified tightening torques.

INJURIES from sharp edges on components.

- Wear protective gloves for the installation work.



EYE INJURIES from dust/splinters/liquid.

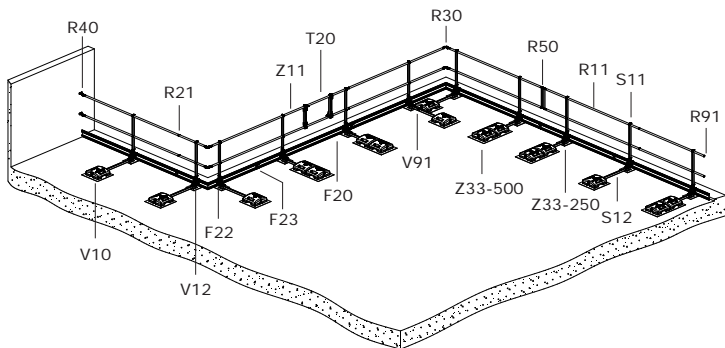
- Wear eye protection/safety spectacles for the installation work.



The number of VARIO weights, separations, angles, etc. may vary according to the circumstances of the side protection system.

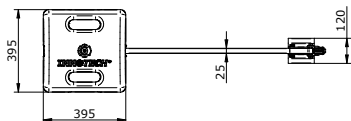
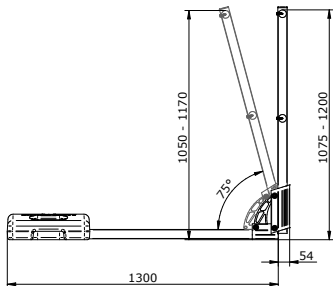
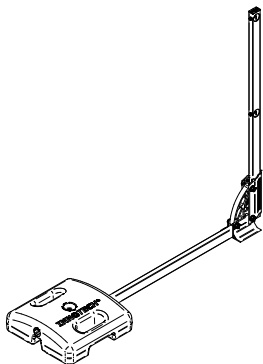
11 SYSTEM VARIO

11.1 OVERVIEW



11.2 DIMENSIONS

[mm]



11.3 IMPORTANT INFORMATION ON THE SYSTEM VARIO

For the SYSTEM VARIO:

- a parapet must be present on the building, and
 - the parapet must have a height of at least 50 mm above the work surface.
- If no parapet is present on the building, then special measures must be taken for the installation of the VARIO foot unit (additional fastenings, e.g. flame scarf angle).

Before positioning the VARIO weights, the maximum permitted loading capacity of the roof must be tested. The maximum pressure load is 0.068 kg/cm².

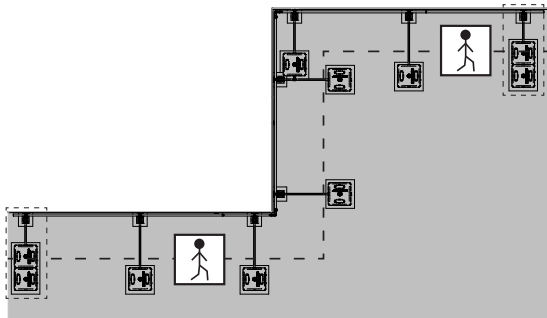


If uncertainties arise during installation, it is imperative that you contact the manufacturer.

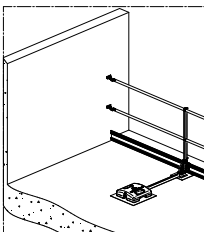
11.4 NUMBER OF WEIGHTS

1. Work surface on the the loaded side of the side protection system:

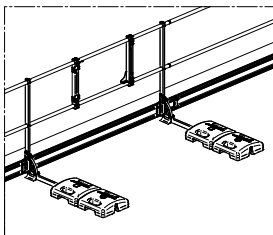
- install one VARIO weight on every post
- install two VARIO weights on all end points



Exceptions:



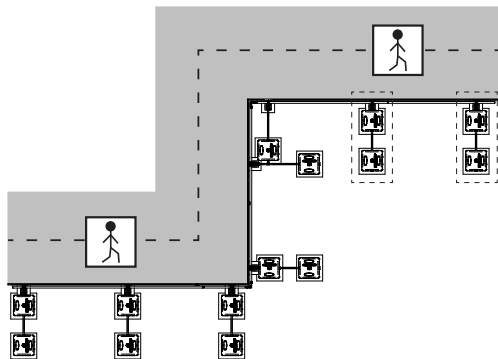
R40 wall tie:
install one VARIO weight.



T20 door set:
install two VARIO weights.

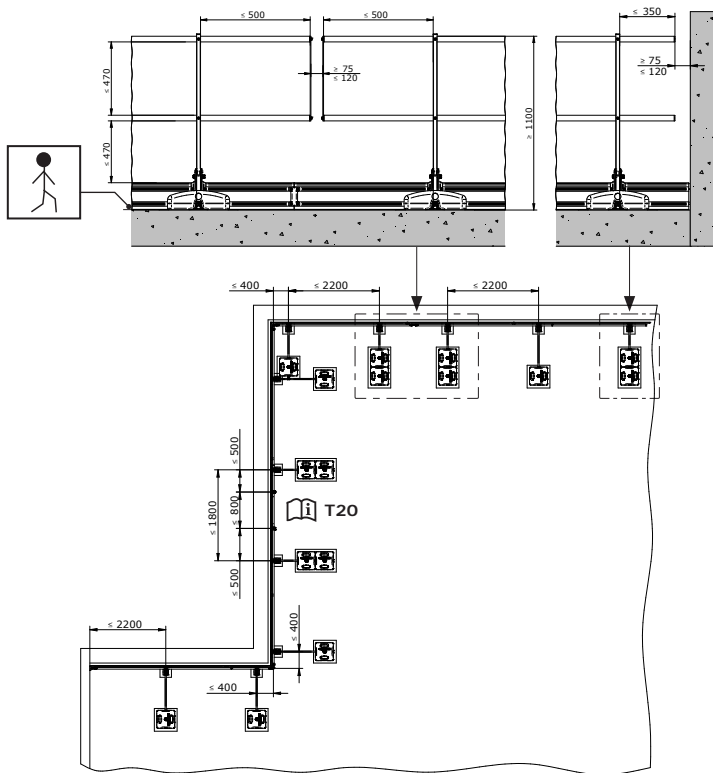
2. Work surface on the front side of the side protection system:

- install two VARIO weights on every post



11.5 IMPORTANT DISTANCES

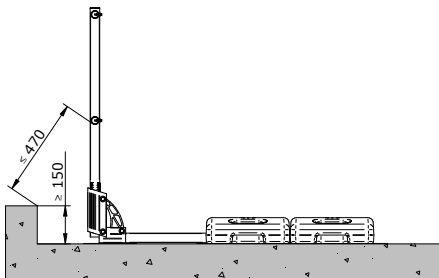
[mm]



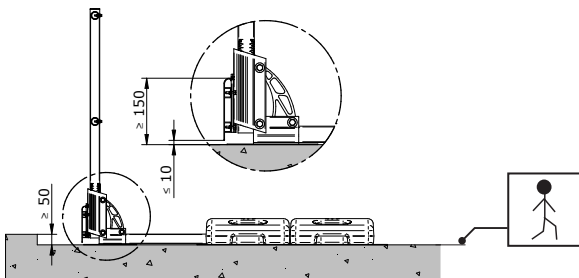
The dimensions vertical to the floor always relate to the **work surface**.

[mm]

If the parapet is ≥ 150 mm or the separation between the top edge of the parapet and the intermediate beam of the side protection system is ≤ 470 mm, then no toe board is required.



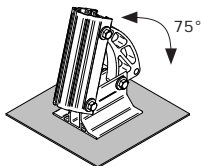
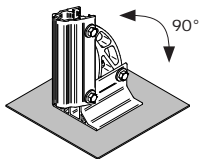
If the parapet is ≤ 150 mm, then a toe board is required.



The dimensions vertical to the floor always relate to the **work surface**.

1.

Set the desired inclination (75° or 90°).



2.

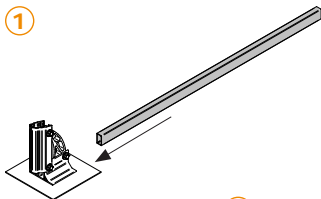


AF - 18

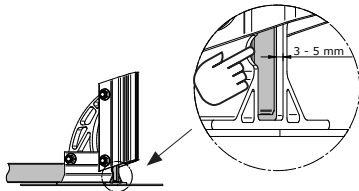


AF - 18

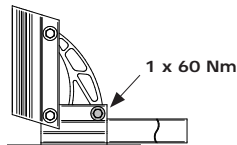
①



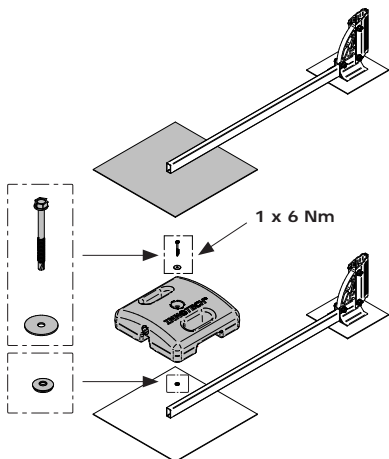
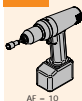
②



③

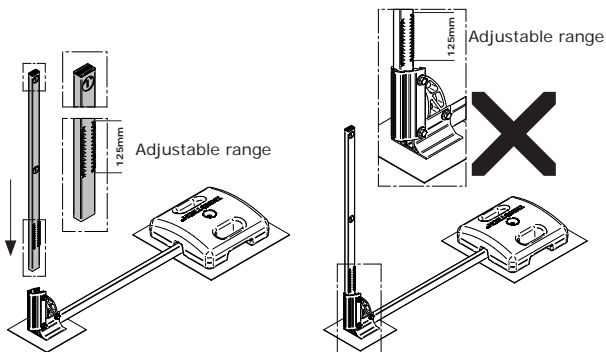


3.



4.

Set the desired height.



Comply with the adjustment range.

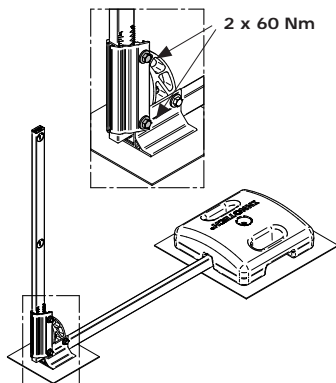
5.



AF - 18



AF - 18



6.

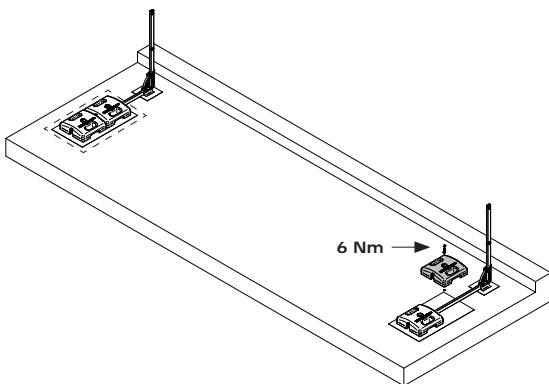
For end and corner points, install 2 VARIO weights.



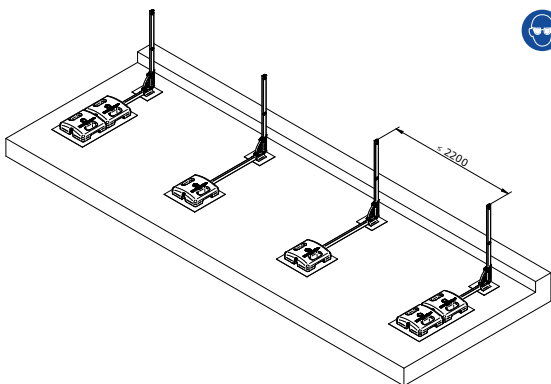
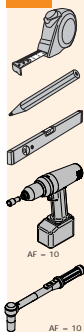
AF - 10



AF - 10

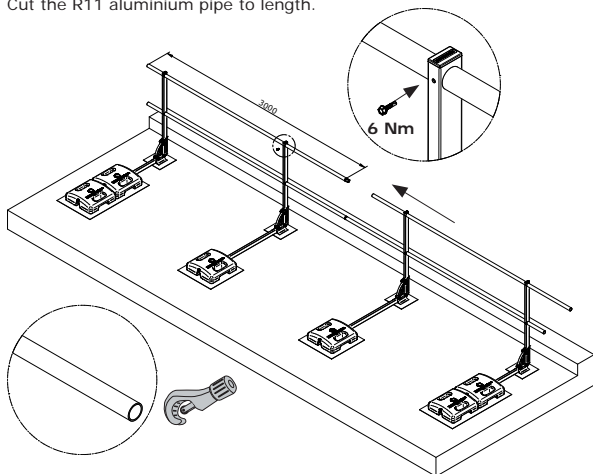
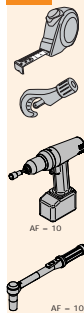


7.



8.

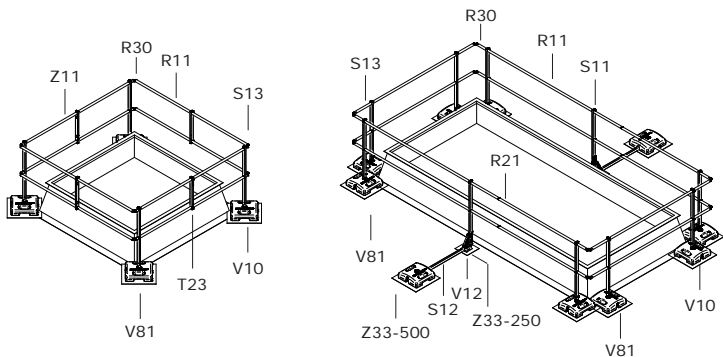
Cut the R11 aluminium pipe to length.



12

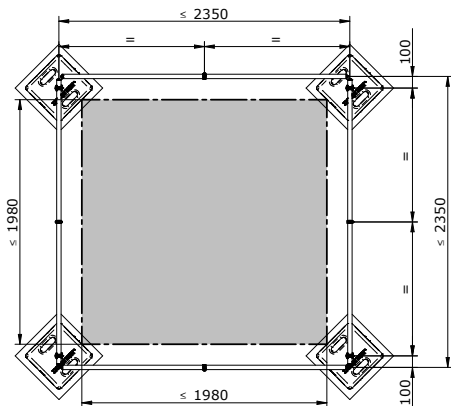
LIGHT DOME SYSTEM

12.1 OVERVIEW



12.2 DIMENSIONS

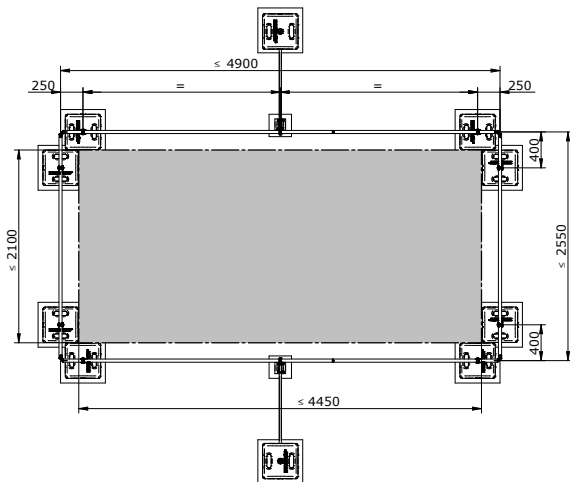
[mm]



12

LIGHT DOME SYSTEM

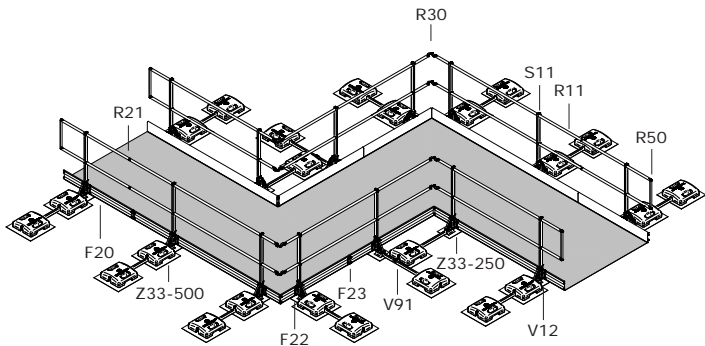
[mm]



13

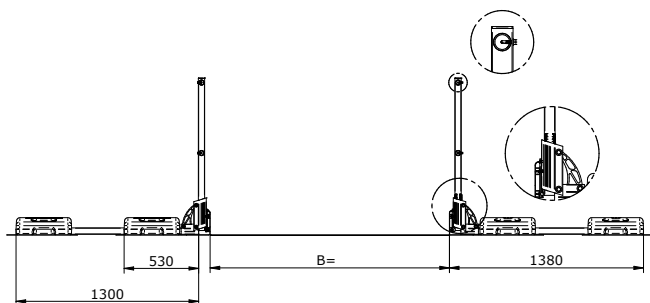
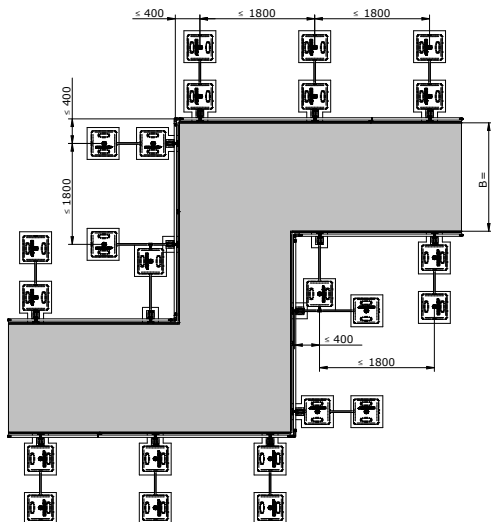
ESCAPE ROUTE

13.1 OVERVIEW OF SYSTEM VARIO



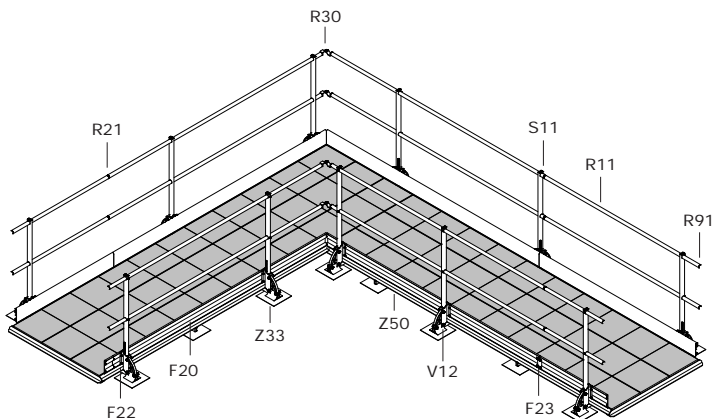
13 ESCAPE ROUTE

13.2 DIMENSIONS OF SYSTEM VARIO

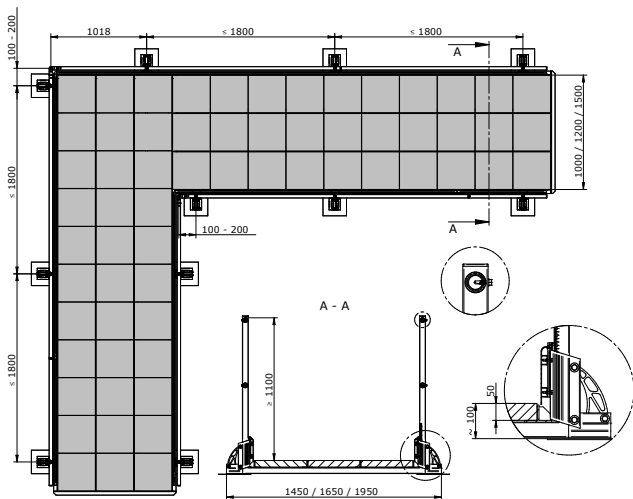


13 ESCAPE ROUTE

13.3 OVERVIEW OF ESCAPE ROUTE USING CONCRETE SLABS

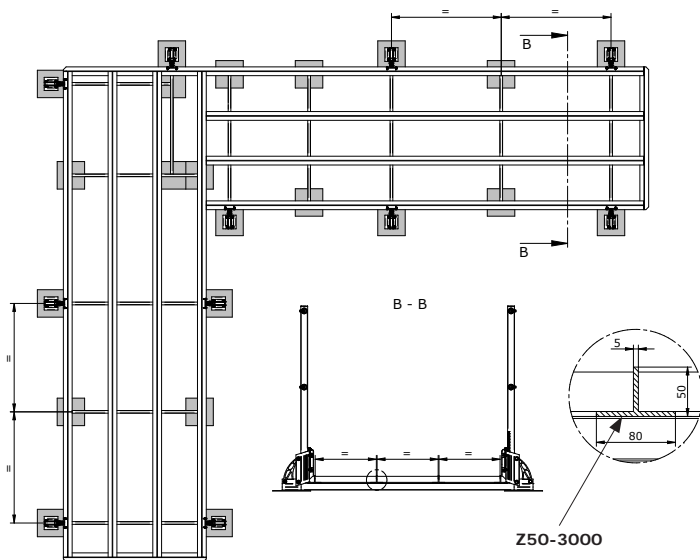


13.4 DIMENSIONS OF ESCAPE ROUTE USING CONCRETE SLABS



13 ESCAPE ROUTE

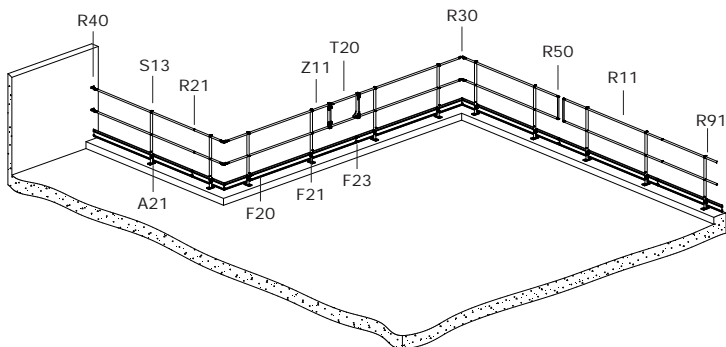
13.5 LAYING PLAN OF ESCAPE ROUTE USING CONCRETE SLABS



14

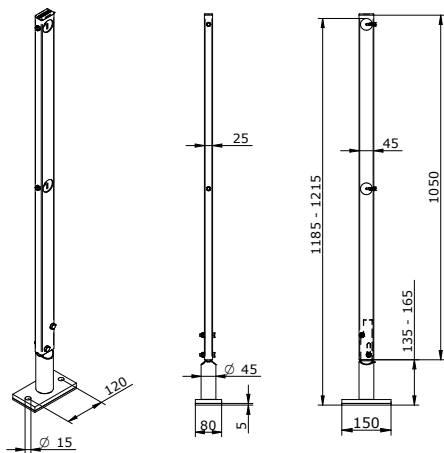
SYSTEM-PARAPET AT TOP

14.1 COMPONENTS/MATERIAL



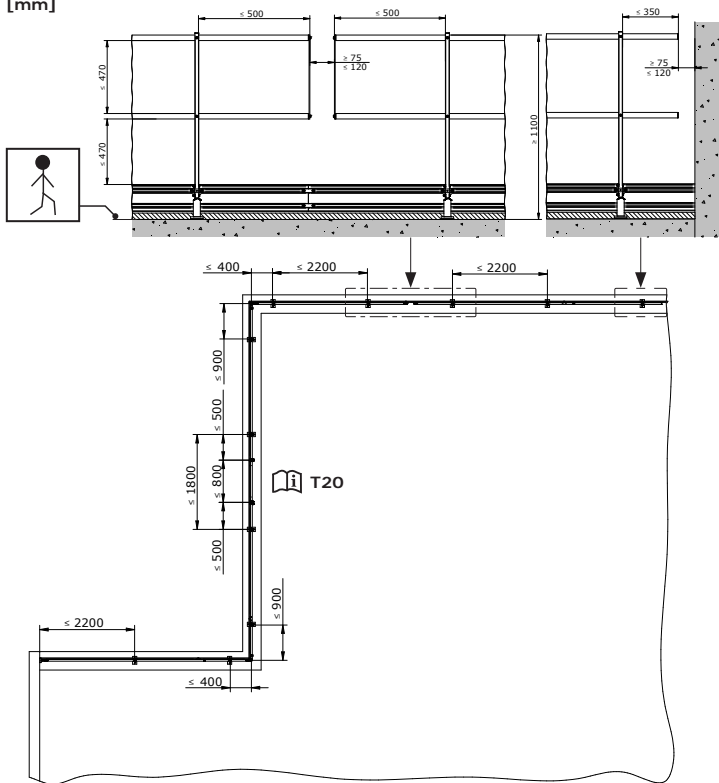
14.2 DIMENSIONS

[mm]



14.3 IMPORTANT DISTANCES

[mm]



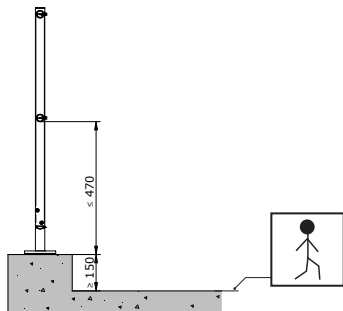
All separations, angles, etc. may vary with the conditions of the respective fall protection system.

The dimensions vertical to the floor always relate to the **work surface**.

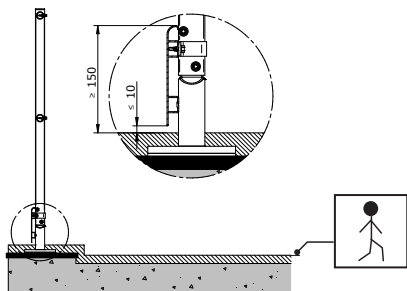


[mm]

If the parapet is ≥ 150 mm or the separation between the top edge of the parapet and the intermediate beam of the side protection system is ≤ 470 mm, then no toe board is required.



If the parapet is ≤ 150 mm, then a toe board is required.



The dimensions vertical to the floor always relate to the **work surface**.

14.5 INSTALLATION SUBSTRUCTURE:

The basic requirement for professional/correct installation is statically load-bearing **construction concrete (massive concrete)** with a **concrete quality of a minimum of C20/25**, and the use of the original fasteners listed in this instruction manual.



DANGER

DANGER TO LIFE as a result of installation on an unsuitable substructure.

- Install INNOTECH "BARRIER" on a statically load-bearing construction concrete (solid concrete) with a concrete quality of at least C20/25.
- **DO NOT install on screed, levelling concrete, blinding concrete, etc....**
- Ensure that dowels are used correctly, as specified in the dowel manufacturer's guidelines (correct cleaning of bores, compliance with curing times and processing temperature, edge spacing of the dowels, inspection of the substructure, etc.).
- The installation substructure has to be checked by a structural engineer or by the manufacturer in case of doubt.

14.6 ANCHORAGE OPTIONS

INNOTECH "BEF-104"

4 x concrete anchors



ADHESIVE ANCHORS

Adhesive anchor with M12 threaded rods, washer,

M12 lock nut, or nut with spring-lock washer

Penetration depth in concrete at least 100 mm

Injection mortar: FISCHER FIS SB 390 S

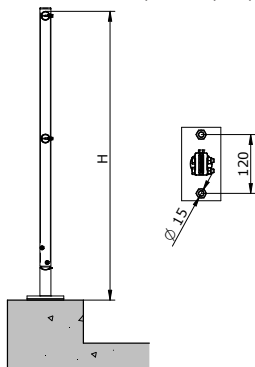
HILTI HY 200



Use products from other manufacturers only if their technical specifications are equivalent (compare product data sheets).

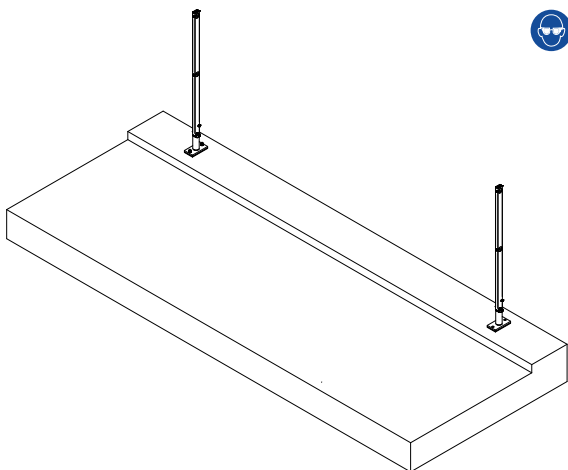
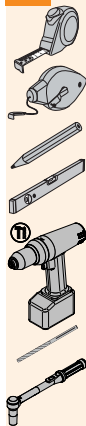
2 anchorage points are provided for installation.

(Parapet adapter for attachment on the top of the parapet A21: 2 x Ø 15 mm)

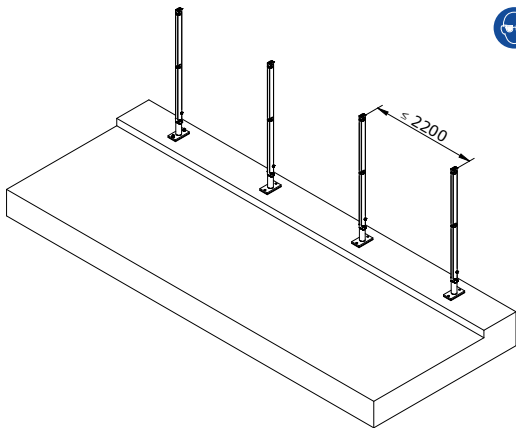
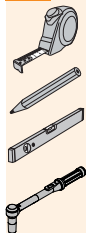


14.7 INSTALLATION

1.

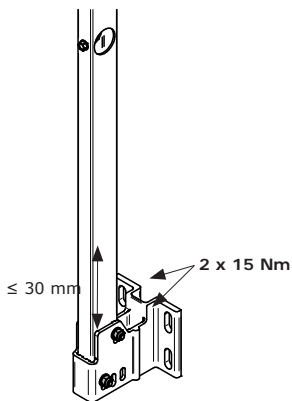


2.



3.

Set the desired height.

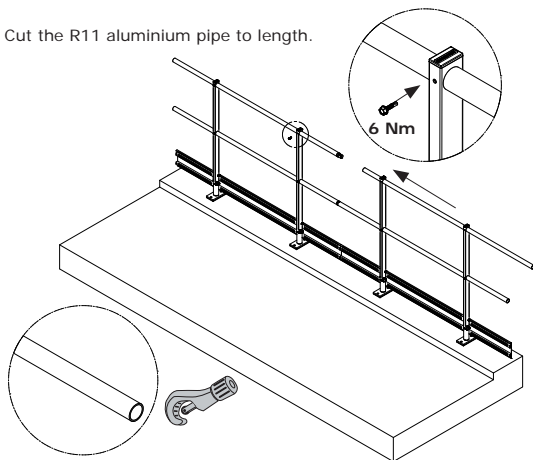
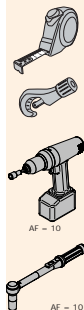


14

SYSTEM-PARAPET AT TOP

4.

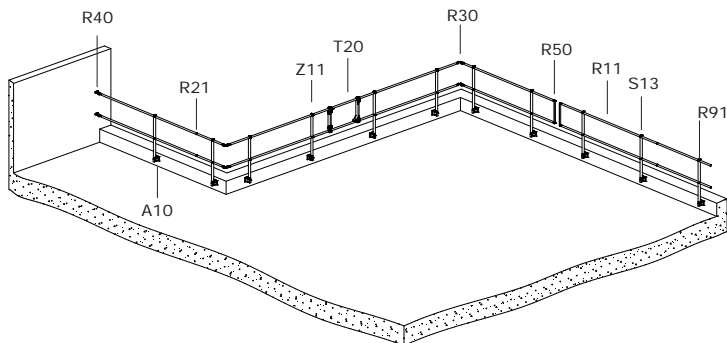
Cut the R11 aluminium pipe to length.



15

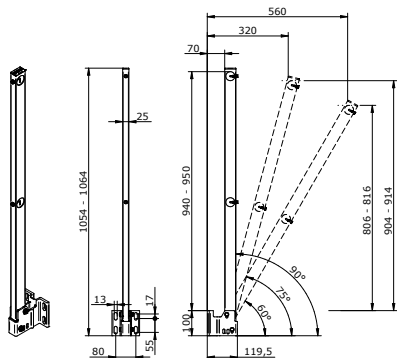
SYSTEM-PARAPET AT SIDE

15.1 OVERVIEW

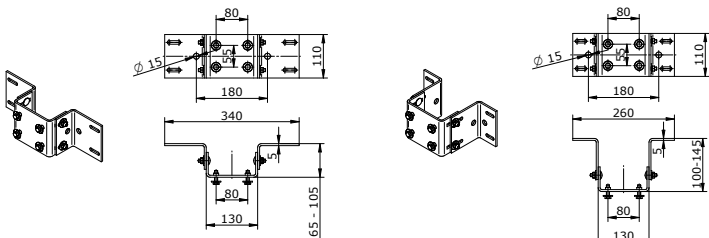


15.2 DIMENSIONS

[mm]



A31 spacer bracket:

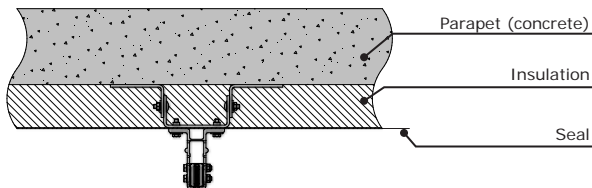


Assembly:

VARIANT I

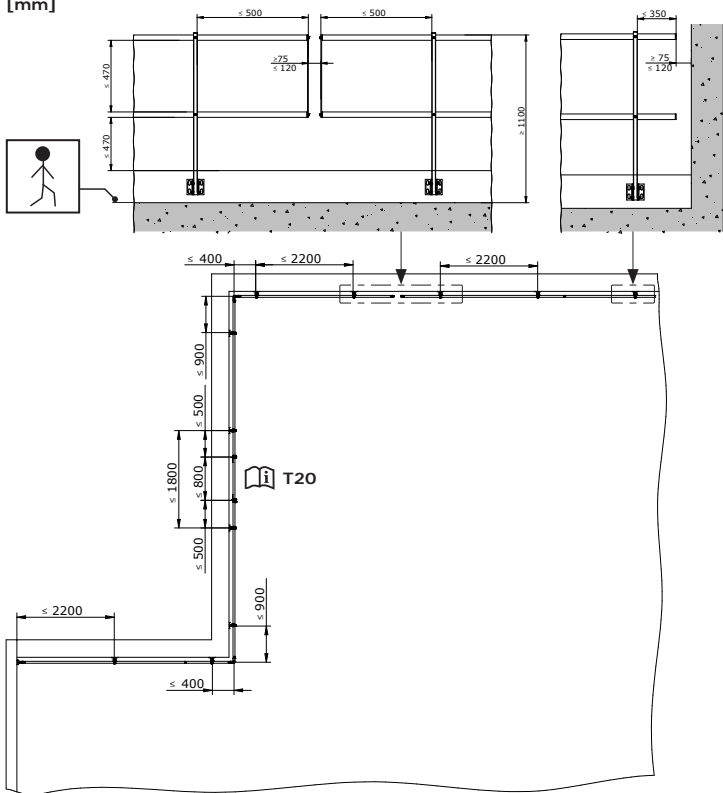
VARIANT II

APPLICATION EXAMPLE:



15.3 IMPORTANT DISTANCES

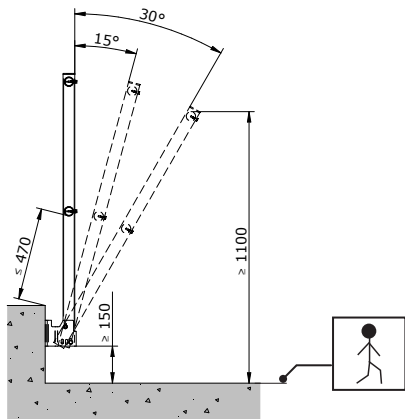
[mm]



All separations, angles, etc. may vary with the conditions of the respective fall protection system.

The dimensions vertical to the floor always relate to the **work surface**.





The dimensions vertical to the floor always relate to the work **surface**.

15.4 INSTALLATION SUBSTRUCTURE:

The basic requirement for professional/correct installation is statically load-bearing **construction concrete (massive concrete)** with a **concrete quality of a minimum of C20/25**, and the use of the original fasteners listed in this instruction manual.



DANGER

DANGER TO LIFE as a result of installation on an unsuitable substructure.

- Install INNOTECH "BARRIER" on a statically load-bearing construction concrete (solid concrete) with a concrete quality of at least C20/25.
- **DO NOT install on screed, levelling concrete, blinding concrete, etc....**
- Ensure that dowels are used correctly, as specified in the dowel manufacturer's guidelines (correct cleaning of bores, compliance with curing times and processing temperature, edge spacing of the dowels, inspection of the substructure, etc.).
- In case of doubt, have the installation substructure checked by a structural engineer or by the manufacturer.

15.5 ANCHORAGE OPTIONS

INNOTECH "BEF-104"

4 x concrete anchors



ADHESIVE ANCHORS

Adhesive anchor with M12 threaded rods, washer,

M12 lock nut, or nut with spring-lock washer

Penetration depth in concrete at least 100 mm

Injection mortar: FISCHER FIS SB 390 S

HILTI HY 200

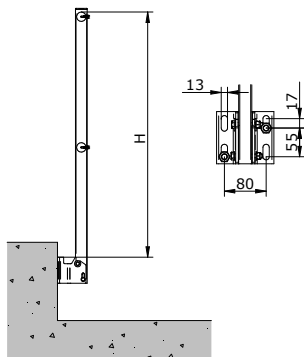


Use products from other manufacturers only if their technical specifications are equivalent (compare product data sheets).

4 anchorage points are provided for installation.

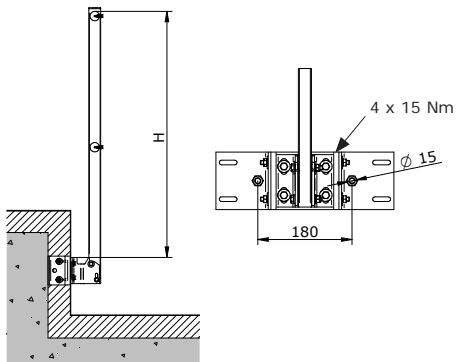
(Adapter on the side of the parapet A10: 4 long holes: $\varnothing 13 \times 17$ mm)

When installing the system directly on the parapet, use 2 anchorage points diagonally.



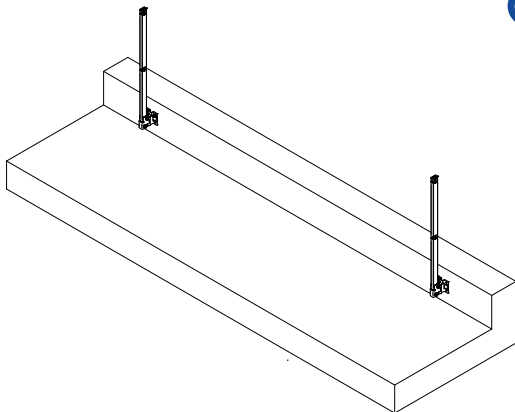
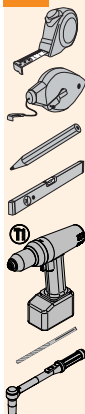
2 anchorage points are provided for installation of the spacer bracket.

(Adapter on the inside of the parapet A11: 2 x $\varnothing 15$ mm)

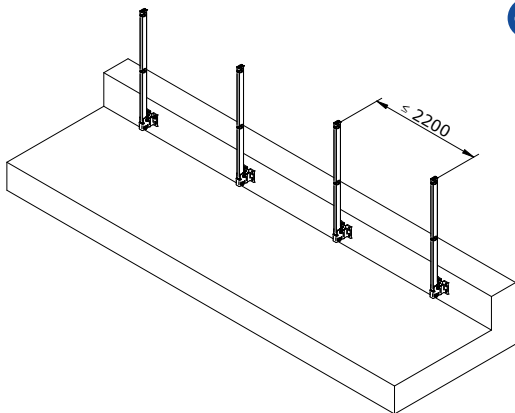
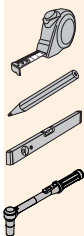


15.6 INSTALLATION

1.



2.



3.

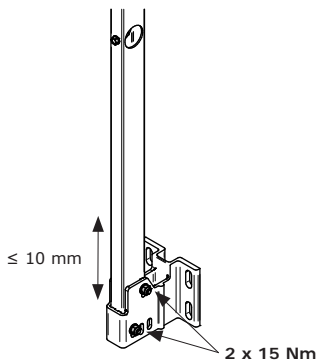
Set the desired height.



AF - 13



AF - 13



4.

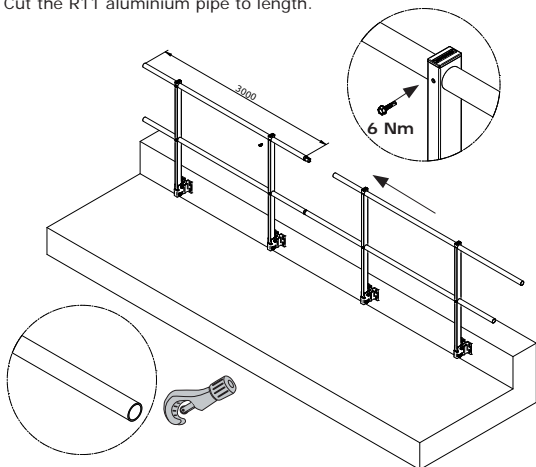
Cut the R11 aluminium pipe to length.



AF - 10



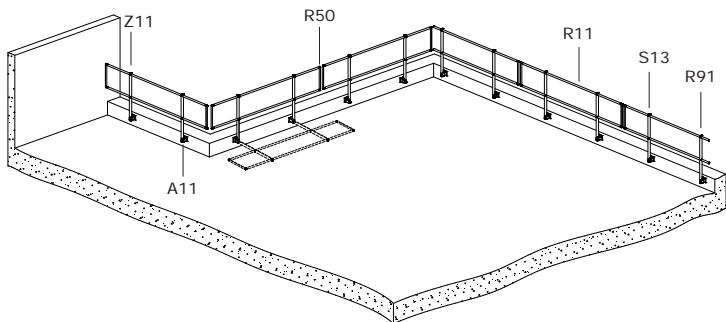
AF - 10



16

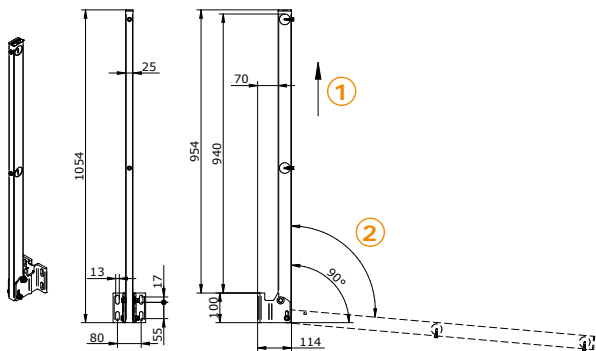
SYSTEM-PARAPET AT SIDE, HINGED

16.1 OVERVIEW

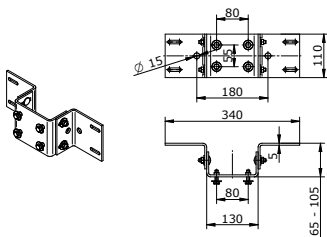


16.2 DIMENSIONS

[mm]

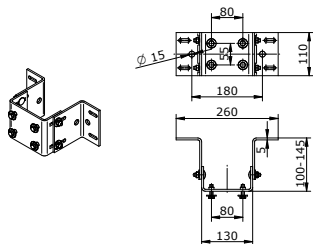


A31 spacer bracket:



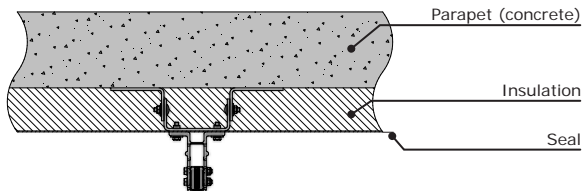
Assembly:

VARIANT I



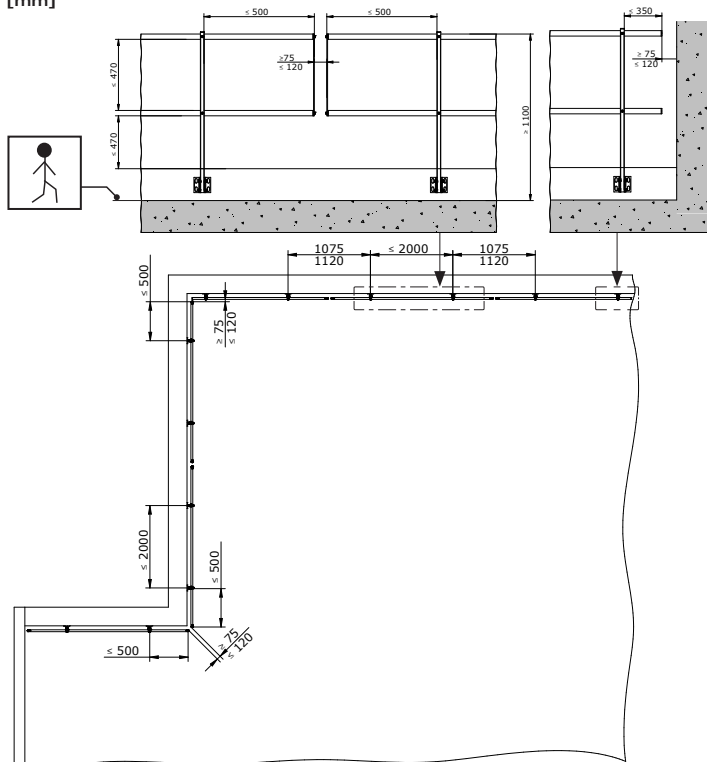
VARIANT II

APPLICATION EXAMPLE:



16.3 IMPORTANT DISTANCES

[mm]

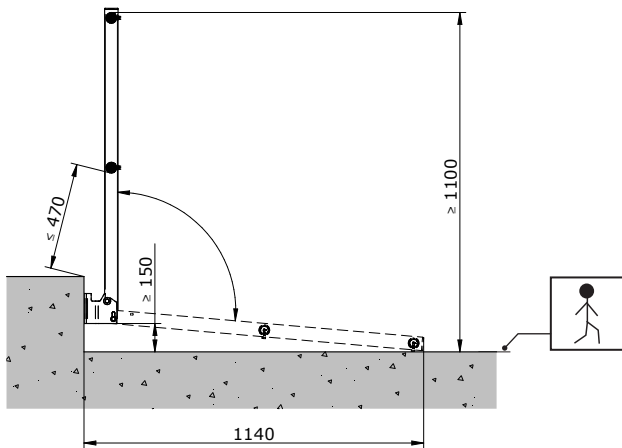


All separations, angles, etc. may vary with the conditions of the respective fall protection system.

The dimensions vertical to the floor always relate to the **work surface**.



Adapter on the inside of the parapet, hinged, A11 must be installed at least 150 mm above the surface (e.g. gravel filling or vegetation layer).



The dimensions vertical to the floor always relate to the **work surface**.

16.4 INSTALLATION SUBSTRUCTURE:

The basic requirement for professional/correct installation is statically load-bearing **construction concrete (massive concrete)** with a **concrete quality of a minimum of C20/25**, and the use of the original fasteners listed in this instruction manual.



DANGER

DANGER TO LIFE as a result of installation on an unsuitable substructure.

- Install INNOTECH "BARRIER" on statically load-bearing construction concrete (solid concrete) with a concrete quality of at least C20/25.
- **DO NOT install on screed, levelling concrete, blinding concrete, etc....**
- Ensure that dowels are used correctly, as specified in the dowel manufacturer's guidelines (correct cleaning of bores, compliance with curing times and processing temperature, edge spacing of the dowels, inspection of the substructure, etc.).
- In case of doubt, have the installation substructure checked by a structural engineer or by the manufacturer.

16.5 ANCHORAGE OPTIONS

INNOTECH "BEF-104"

4 x concrete anchors



ADHESIVE ANCHORS

Adhesive anchor with M12 threaded rods, washer,

M12 lock nut, or nut with spring-lock washer

Penetration depth in concrete at least 100 mm

Injection mortar: FISCHER FIS SB 390 S

HILTI HY 200



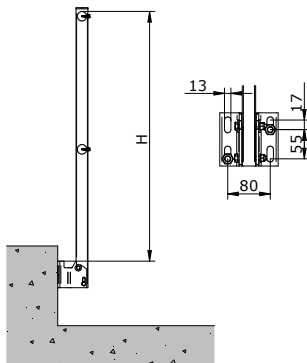
Use products from other manufacturers only if their technical specifications are equivalent (compare product data sheets).

4 anchorage points (use 2 anchorage points) are provided for installation.

(Adapter on the side of the parapet, hinged A11:

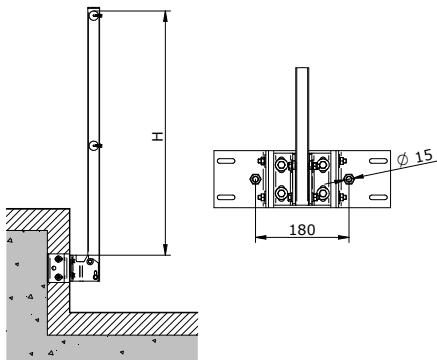
4 long holes: $\varnothing 13 \times 17$ mm)

When installing the system directly on the parapet, use 2 anchorage points diagonally.



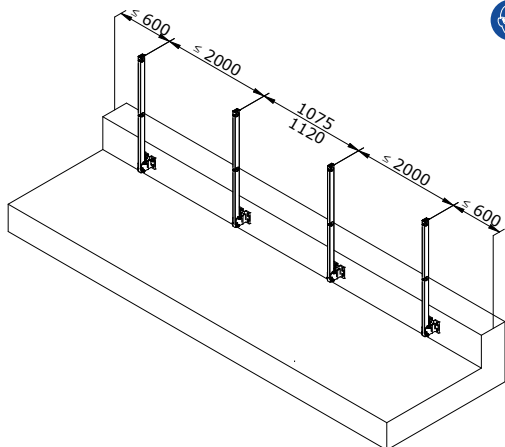
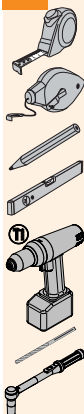
2 anchorage points are provided for installation of the spacer bracket.

(Adapter on the inside of the parapet, hinged A31: 2 x $\varnothing 15$ mm)



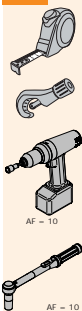
16.6 INSTALLATION

1.



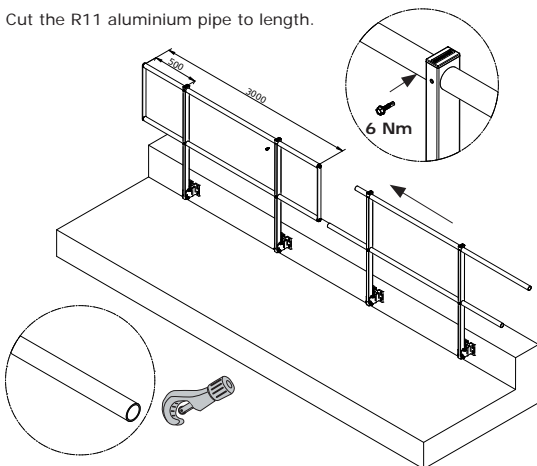
2.

Cut the R11 aluminium pipe to length.



AF - 10

AF - 10



1. The fall protection system is dismantled in reverse order to the installation instructions.



Protect by means of an alternative fall protection system.

-
2. Do NOT dispose the fall protection system in the house waste. As per national requirements, gather together the used parts, and dispose of them environmentally correctly.

ACCEPTANCE LOG NO. _____ (PART 1/2)

S I D E P R O T E C T I O N S Y S T E M

ORDER NUMBER:

PROJECT:

CLIENT: Specialist:

Company address:

CONTRACTOR: Specialist:

Company address:

INSTALLATION: Side protection system

DESIGNATION: Side protection system, no. _____

Specialist:

Company address:

ACCEPTANCE LOG NO. _____ (PART 2/2)

S I D E P R O T E C T I O N S Y S T E M

FASTENER & PHOTO DOCUMENTATION

INSTALLATION SUBSTRUCTURE _____

(e.g.: solid concrete quality: C20/25)

Date:	Location:	Dowel type: BEF/Sticker?/Designation	Setting depth: [mm]	Drill bitØ: [mm]	Tightening torque:	Photos: (storage location)
			mm	mm	Nm	
			mm	mm	Nm	
			mm	mm	Nm	

The installation company who signs warrants correct workmanship (edge spacing, inspection of the substructure, proper cleaning of bores, compliance with curing times and processing temperature, compliance with the dowel manufacturer's guidelines, etc.) The client accepts the work performed by the contractor. The user instructions, documentation of the fastenings, and photo documentation and test sheets have been transferred to the client (building owner) and have been made available to the user. When accessing the fall protection system, the building owner must document the positions of the side protection system by means of diagrams (e.g. top view of the roof).

The expert installer familiar with the fall protection system confirms that the installation work has been executed correctly, as per the state of the art, and in accordance with the manufacturer's instructions for use. The technical safety reliability is confirmed by the installation company.

Comments: _____

Included in lightning protection system?

 Yes

 No

Name: _____

Client

Installer, anchorage points

Date, company stamp, signature

Date, company stamp, signature

Installer of side protection system

Date, company stamp, signature

INFORMATION ON THE EXISTING FALL PROTECTION SYSTEM

The building owner must affix this notice in a conspicuous location at the access point to the system.

This system must be used in accordance with the state of the art and the instruction manual.

The storage location for the instruction manual, test logs, etc. is:

- Overview plan showing the position of the side protection system:

Draw in the areas where there is a break-through hazard (e.g. light domes and/or roof lights).

Damaged parts of the railing must be replaced immediately by a technical expert who is familiar with the installation of the BARRIER side protection system.

TEST LOG NO. _____ (Part 1/2)

S I D E P R O T E C T I O N S Y S T E M

ORDER NUMBER: _____

PROJECT: _____

PRODUCT: Item _____ Year of construction/Serial number: _____

(Type designation EAP /anchorage point)

ANNUAL SYSTEM CHECK PERFORMED ON: _____

ANNUAL SYSTEM CHECK AT THE LATEST BY: _____

CLIENT: Specialist: 

Company address:

CONTRACTOR: Specialist: 

Company address:

INSPECTION POINTS: <input checked="" type="checkbox"/> checked and OK.	DEFECTS DETECTED: (Description of defects/measures)
DOCUMENTATION:	
<input type="checkbox"/> Instruction manual	
<input type="checkbox"/> Acceptance logs/fastener documentation/photo documentation	
Adapters and attachment: (firm seat, screwed connections (tightening torque), no deformation, etc.)	
<input type="checkbox"/> VARIO: <input type="checkbox"/> V10 <input type="checkbox"/> V12 <input type="checkbox"/> V81 <input type="checkbox"/> V91	
<input type="checkbox"/> PARAPET: <input type="checkbox"/> A10 <input type="checkbox"/> A11 <input type="checkbox"/> A21 <input type="checkbox"/> A31	
<input type="checkbox"/> ROOF: <input type="checkbox"/> D10 <input type="checkbox"/> D81	
Posts: (firm seat, screwed connections (tightening torque), no deformation, etc.)	
<input type="checkbox"/> VARIO: <input type="checkbox"/> S11	
<input type="checkbox"/> PARAPET: <input type="checkbox"/> S13	
<input type="checkbox"/> ...	
Separations: (Max. separation between posts 2200 mm, separation from the work surface, etc.)	
<input type="checkbox"/> Separations for the applicable system as per instruction manual	
<input type="checkbox"/> ...	
Aluminium pipe: (firm seat, screwed connections (tightening torque), no deformation, etc.)	
<input type="checkbox"/> Aluminium pipes <input type="checkbox"/> R11	
<input type="checkbox"/> ...	

TEST LOG NO. _____ (Part 2/2)

S I D E P R O T E C T I O N S Y S T E M

INSPECTION POINTS: <input checked="" type="checkbox"/> checked and OK.	DEFECTS DETECTED: (Description of defects/measures)
Ties: (firm seat, screwed connections (tightening torque), no deformation, etc.)	
<input type="checkbox"/> Linear tie	<input type="checkbox"/> R21
<input type="checkbox"/> Corner tie	<input type="checkbox"/> R30
<input type="checkbox"/> Wall tie	<input type="checkbox"/> R40
<input type="checkbox"/> ...	
Toe board: (firm seat, screwed connections (tightening torque), no deformation, etc.)	
<input type="checkbox"/> Toe board	<input type="checkbox"/> F20
<input type="checkbox"/> Toe board bracket	<input type="checkbox"/> F21 <input type="checkbox"/> F22
<input type="checkbox"/> Toe board tie set	<input type="checkbox"/> F23
<input type="checkbox"/> ...	
Door element: (firm seat, closing function, spring, screwed connections (tightening torque), no deformation, etc.)	
<input type="checkbox"/> Door element	<input type="checkbox"/> T20
<input type="checkbox"/> ...	

Acceptance result: The fall protection system corresponds to the manufacturer's instructions for use, and to the state of the art. Technical safety reliability is confirmed.

Comments: _____

Name: _____
Client

Inspection: Contractor
(expert who is familiar with the fall protection system)

Date, company stamp, signature

Date, company stamp, signature

INNOTECH® Arbeitsschutz GmbH, Laizing 10, 4656 Kirchham/Austria
www.innotech.at

