



Instruction manual

DE – ACHTUNG: Die Verwendung des INNOTECH-Produkts ist erst zulässig, nachdem die Gebrauchsanleitung in der jeweiligen Landessprache vollständig gelesen und verstanden wurde.

EN – ATTENTION: Use of the INNOTECH product is only permitted after the instruction manual has been read and fully understood in the respective language.

IT – ATTENZIONE: L'utilizzo del prodotto INNOTECH è permesso solo previa lettura e comprensione dell'intero manuale di istruzioni nella lingua del relativo paese di utilizzo.

FR – ATTENTION : L'utilisation du produit INNOTECH n'est autorisée qu'après avoir entièrement lu et compris la notice d'utilisation dans la langue du pays concerné.

NL – ATTENTIE: Dit INNOTECH-product mag pas gebruikt worden nadat u de gebruikershandleiding in de taal van het betreffende land gelezen en begrepen hebt.

ES – ATENCIÓN: Se autorizará el uso de los productos INNOTECH una vez que se hayan leído y entendido las instrucciones de uso en el idioma del país.

PT – ATENÇÃO: O uso do produto INNOTECH apenas é permitido depois de ter lido e compreendido na totalidade as instruções de uso na respetiva língua nacional.

DK – GIV AGT: Du må først bruge et produkt fra Innotech, efter du har læst og forstået brugsvejledningen i fuldt omfang i dit lands sprog.

SV – O B S : Denna INNOTECH-produkt får inte användas förrän bruksanvisningen på respektive lands språk har lästs igenom och förståtts.

CZ – POZOR: Práce s výrobkem INNOTECH je povolena teprve po kompletním přečtení a porozumění návodu k použití v jazyku daného státu.

PL – UWAGA: Produkty firmy INNOTECH mogą być używane dopiero po dokładnym zapoznaniu się z całą instrukcją obsługi w ojczystym języku.

SL – POZOR: Uporaba izdelka INNOTECH je dovoljena šele po tem, ko ste navodila prebrali v celoti v ustreznem jeziku svoje dežele in jih tudi razumeli.

SK – POZOR: Produkt INNOTECH môžete používať až po prečítaní a porozumení celého návodu na použitie pre príslušnú krajinu.

HU – FIGYELEM: Az INNOTECH termékek használatá csak azt követően engedélyezett, hogy saját nyelvéen elolvasta és megértette a teljes használati utasítást.

TR – DİKKAT: INNOTECH ürününün kullanımına ancak ilgili ülkenin dilinde sunulmuş olan kullanım kılavuzunun tamamen okunmasından ve anlaşılmasından sonra izin verilir.

ZH – 注意 : 只有在仔细阅读并完全理解了当地语言的使用说明后，才能使用 INNOTECH 公司的产品。

[2]	EXPLANATION OF ICONS	3
[3]	COMPONENTS/MATERIAL	4
[4]	WARRANTY	4
[5]	DIMENSIONS	5
[6]	INSTALLATION TOOLS	5
[7]	INSTALLATION	6
[8]	WASTE DISPOSAL	15
[9]	DEVELOPMENT & SALES	15

Warning/danger information

For an **IMMEDIATE** threat of danger that can cause serious physical injuries or death.



For a **POTENTIALLY** dangerous situation that can cause serious physical injuries or death.



For a **POTENTIALLY** dangerous situation that could lead to minor physical injuries and damage to property.



Wear gloves!



Wear safety spectacles!

**Supplementary information/instructions**

Correct



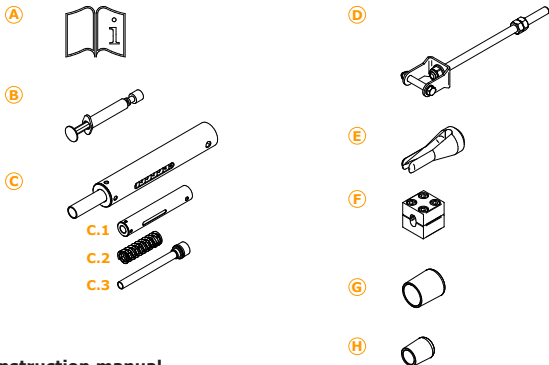
Incorrect



Comply with manufacturer information/instruction manual.

3

COMPONENTS/MATERIAL



- A) Instruction manual**
B) Lubricant: Weicon AntiSeize ASW 10000
C) End lock tube pre-mounted: stainless steel
C.1) Protective tube: Stainless steel, AISI 304
C.2) Pressure spring: Stainless steel, AISI 304
C.3) Clamp sleeve: Stainless steel, AISI 304
D) Mounting bracket: Stainless steel, AISI 304
E) Clamping mandrel: Aluminium
F) Indicator clamp: Aluminium
G) Protective cap Ø 12 mm: PVC
H) Protective cap Ø 8 mm: PVC

4

WARRANTY

The warranty period for manufacturing defects on all components (under normal conditions of use) is 2 years from the date of purchase. The time limit is shortened through use in corrosive atmospheres.

If there is strain (a fall, weight of snow, etc.) the warranty claim is void for those components that have been designed to absorb energy, or that may possibly be deformed.

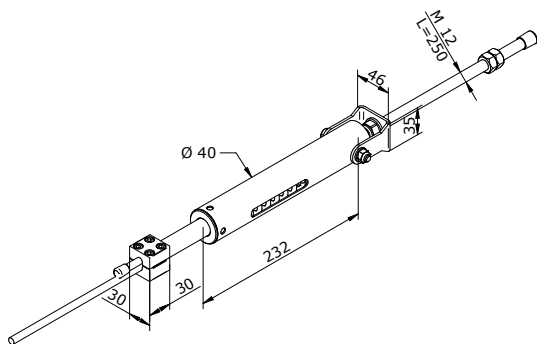


For system installation and for components planned and installed under the responsibility of specialised installation companies, INNOTECH assumes neither responsibility nor warranty in the case of improper installation.

5

DIMENSIONS

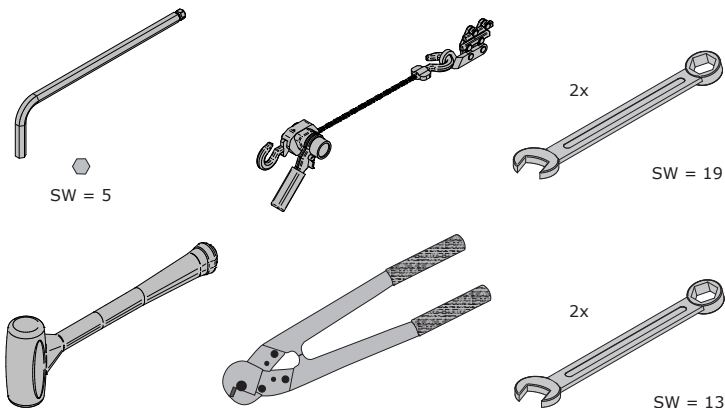
[mm]



6

INSTALLATION TOOLS

[mm]



7

INSTALLATION

**RISK TO LIFE if NOT properly installed.**

- Install INNOTECH "AIO-ENDS-10" correctly in accordance with the instruction manual.
- Comply with the INNOTECH "ALLinONE" instruction manual.

**INJURIES from sharp edges on components.**

- Wear protective gloves for the installation work.

**EYE INJURIES from dust/splinters/liquid.**

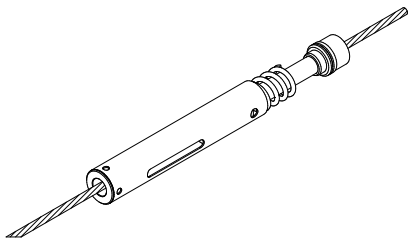
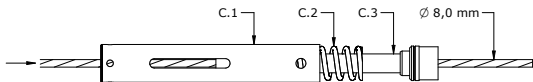
- Wear eye protection/safety spectacles for the installation work.



7.1 INNOTECH "AIO-ENDS-10"

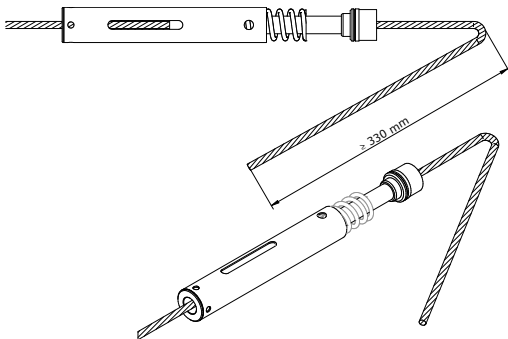
1.

Thread the end lock tube onto the "AIO-SEIL-30".



2.

Kink the "AIO-SEIL-30" at least 330 mm before the end.

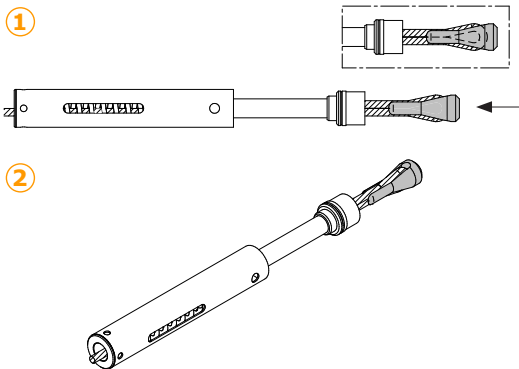


For inclusion in the lightning protection system or as equipotential bonding, do not kink the "AIO-SEIL-30" TOO SHORT.

3.

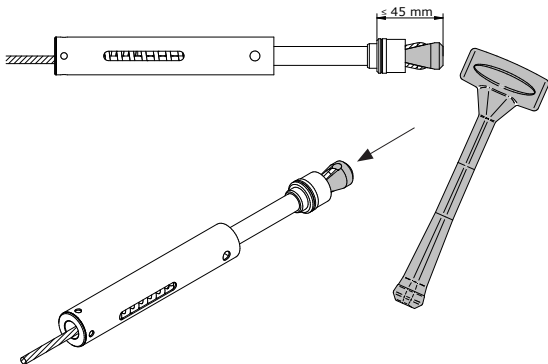
Guide the "AIO-SEIL-30" through the bore of the clamping mandrel as far as the kink point.

Guide the cable loop and clamping mandrel into the end lock sleeve.



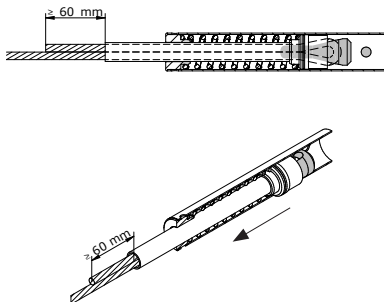
4.

Fix the cable loop and clamping mandrel with a few hammer taps (plastic mallet).



5.

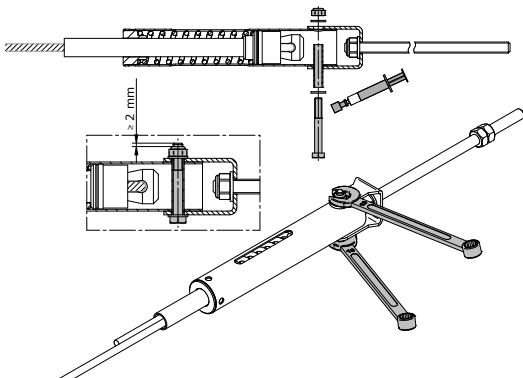
Assemble the other components.



The end of the "AIO-SEIL-30" must project by at least 60 mm.

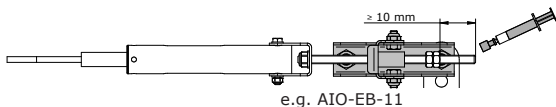
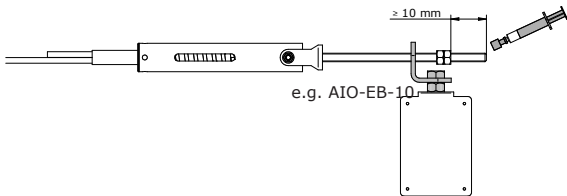
6.

Attach the mounting bracket to the end lock tube.



7.

Attach the mounting bracket to the end-lock fastening (e.g. AIO-EB-10, AIO-EB-11, AIO-EB-12, AIO-EB-13, AIO-EB-14, AIO-EB-15). *Not included in the scope of delivery.*

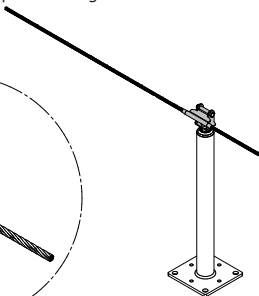
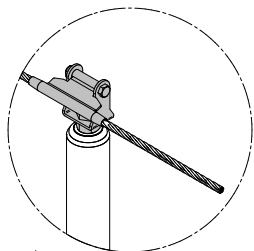


An appropriate rating plate must be attached at each entry point to the system.

7.2 INNOTECH "ALLINONE" LIFELINE SYSTEM

1.

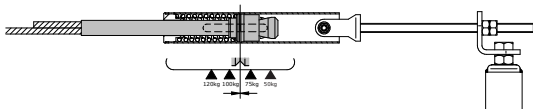
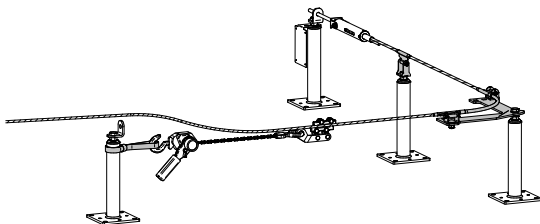
Guide the end of the "AIO-SEIL-30" through the intermediate brackets and corner pass-through elements.



Ensure that no cable strands project.

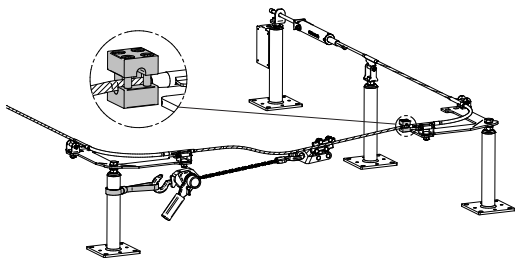
2.

Use the chain tightener to tension the "AIO-SEIL-30" while shaking constantly (pre-tension: 50 - 120 kg).



3.

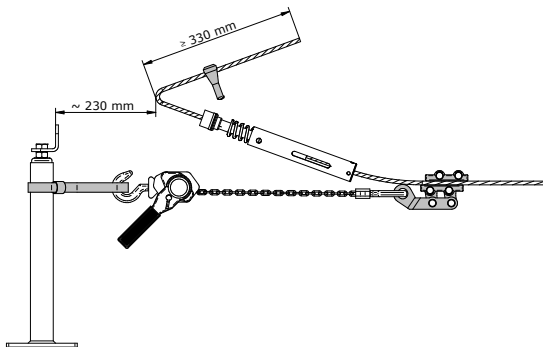
For longer lifeline systems, tension the partial span segments, and maintain the tension using an indicator clamp or tensioning devices.



Do NOT tension the complete cable span all at once. Remove the indicator clamps after tensioning.

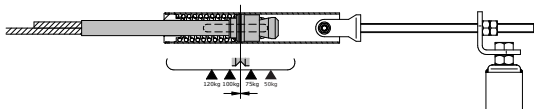
4.

Thread the **2nd** end lock tube onto the "AIO-SEIL-30". Kink the "AIO-SEIL-30" ~ 230 mm before the end-lock fastening. Guide the clamping mandrel as far as the kink point. Fit the end lock tube after points 3 - 7 (section 7.1).



5.

Set the necessary cable pre-tension - according to the system length: 50 - 120 kg

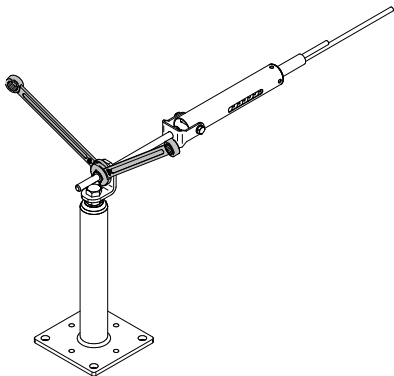


6.

At both ends, secure the tensioning nut with the counter nut.



2x
SW = 19

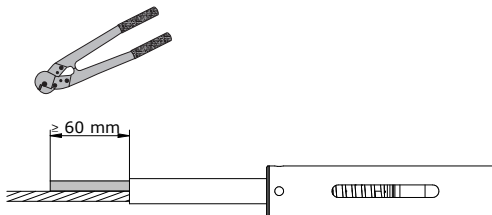


7

INSTALLATION

7.

Excess "AIO-SEIL-30" can be included in the lightning protection.

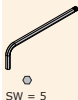


OPTIONALLY:

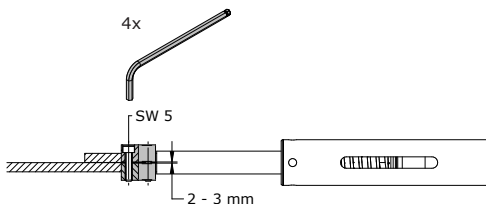
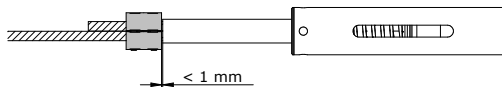
cut the "AIO-SEIL-30" to length. The end of the "AIO-SEIL-30" must project at least 60 mm or more from the end lock tube.

8.

Attach the indicator clamp immediately after the end lock tube.

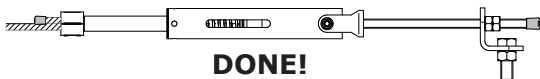


SW = 5



9.

Fit the 12 mm \varnothing protective caps to the ends of the threaded rods, and the 8 mm \varnothing protective caps to the cable ends.



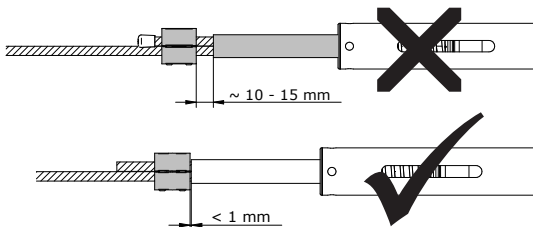
After the first walk-through of the cable span and attachment of the inspection sticker, application of signature & corporate logo to the rating plate, obtain the client's acceptance of the fall protection system.



DANGER

DANGER TO LIFE due to an increased separation of the indicator clamp from the end lock.

- Before each use, check the separation of the indicator clamp from the end lock.
- The separation of the indicator clamp from the end lock must NOT exceed 1 mm.
- After a load from a fall, do not NOT use the fall protection any more.



8

WASTE DISPOSAL

Do NOT dispose the fall protection system in the house waste.
As per national requirements, gather together the used parts, and dispose of them environmentally correctly.

9

DEVELOPMENT & SALES

INNOTECH Arbeitsschutz GmbH, Laizing 10, 4656 Kirchham/Austria
www.innotech.at

