



DE – ACHTUNG: Die Verwendung des INNOTECH-Produkts ist erst zulässig, nachdem die Gebrauchsanleitung in der jeweiligen Landessprache vollständig gelesen und verstanden wurde.

DE

EN – ATTENTION: Use of the INNOTECH product is only permitted after the instruction manual has been read and fully understood in the respective language.

EN

IT – ATTENZIONE: L'utilizzo del prodotto INNOTECH è permesso solo previa lettura e comprensione dell'intero manuale di istruzioni nella lingua del relativo paese di utilizzo.

IT

FR – ATTENTION : L'utilisation du produit INNOTECH n'est autorisée qu'après avoir entièrement lu et compris la notice d'utilisation dans la langue du pays concerné.

FR

NL – ATTENTIE: Dit INNOTECH-product mag pas gebruikt worden nadat u de gebruikershandleiding in de taal van het betreffende land gelezen en begrepen hebt.

NL

ES – ATENCIÓN: Se autorizará el uso de los productos INNOTECH una vez que se hayan leído y entendido las instrucciones de uso en el idioma del país.

ES

PT – ATENÇÃO: O uso do produto INNOTECH apenas é permitido depois de ter lido e compreendido a totalidade as instruções de uso na respetiva língua nacional.

PT

DK – GIV AGT: Du må først bruge et produkt fra Innotech, efter du har læst og forstået brugsvejledningen i fuldt omfang i dit lands sprog.

DK

SV – O B S : Denna INNOTECH-produkt får inte användas förrän bruksanvisningen på respektive lands språk har lästs igenom och förstås.

SV

CZ – POZOR: Práce s výrobkem INNOTECH je povolena teprve po kompletním přečtení a porozumění návodu k použití v jazyku daného státu.

CZ

PL – UWAGA: Produkty firmy INNOTECH mogą być używane dopiero po dokładnym zapoznaniu się z całą instrukcją obsługi w ojczystym języku.

PL

SL – POZOR: Uporaba izdelka INNOTECH je dovoljena šele po tem, ko ste navodila prebrali v celoti v ustreznem jeziku svoje dežele in jih tudi razumeli.

SL

SK – POZOR: Produkt INNOTECH môžete používať až po prečítaní a porozumení celého návodu na použitie pre príslušnú krajinu.

SK

HU – FIGYELEM: Az INNOTECH termékek használatra csak azt követően engedélyezett, hogy saját nyelvéen elolvasta és megértette a teljes használati utasítást.

HU

TR – DİKKAT: INNOTECH ürününün kullanımına ancak ilgili ülkenin dilinde sunulmuş olan kullanım kılavuzunun tamamen okunmasından ve anlaşılmasından sonra izin verilir.

TR

ZH – 注意：只有在仔细阅读并完全理解了当地语言的使用说明后，才能使用 INNOTECH 公司的产品。

ZH

Prior to use, the following safety instructions and the current state of the art must be taken into consideration.

- Keep this operating manual with the product and carefully fill out the test sheet (page 13) and the test log (pages 14 and 15).
- Completely read the instruction manual.
- Understand and accept the possibilities and restrictions of the restraint system as well as the risks associated with its use.
- MOBI should only be installed by specialised/competent experts familiar with the safety system and in compliance with the current state of the art.
- You must be familiar with these instructions, as well as with the local safety regulations as a prerequisite for installing and using the system. You must also be physically and mentally fit and trained in the use of PPE (Personal Protective Equipment).
- Medical conditions (cardiovascular problems, intake of medicines, alcohol, etc.) can affect the safety of the user.
- Measures (emergency plan) must be specified for fast rescue prior to using the fall prevention systems. Attention: after a fall a longer period of suspension in personal protective equipment can cause severe injuries or even death (suspension trauma).
- Adhere to the respective accident prevention regulations (e.g. working in areas where there is a danger of falling) when using this restraint system.
- For horizontal use, only those fasteners may be used that are suited for this purpose and have been tested for the respective edges (sharp edges: sheet with trapezoidal corrugations, steel girder, concrete, etc.).
Attention: avoid pendulum fall!
- Make absolutely sure that the anchorage equipment cannot be endangered by sharp edges.
- The combination of specific tested and approved components is only permitted as specified in this instruction manual. Incorrect applications can impair safe function – this can result in severe or fatal injuries.
- This restraint system was developed for personal safety and may not be used for other purposes. Approved applications are only those described herein.
- Never attach undefined loads to the restraint system.

- Each person active in the areas where there is danger of falling is responsible for ensuring that the connection to the anchorage system is kept as short as possible to prevent the possibility of a fall.
- Before starting the work, you must ensure that no objects can fall to the ground from the work site. The area below the work site (sidewalk, etc.) must be kept clear.
- Users must ensure that the ground is suited for fixing the anchorage device. (light dome with or without sealing (see pages 8 and 9), etc.)
- If uncertainties arise during installation it is imperative that you contact the manufacturer.
- Do not make any changes to the approved anchorage device. Should modifications become absolutely necessary, contact the manufacturer and seek written approval.
- Using the system is no longer permitted if damage to the material, the clasps, the lashing strap, etc. is obvious or defects have been detected during regular inspections.
- When used as an anchorage device (harness strap), the restraint system must be planned in such a way that no one can fall over the edge if the personal protective equipment is used properly.
(See planning documents at www.innotech.at)
- When the restraint system is used as an anchorage device (harness strap), the minimum free space necessary under the edge is:
Manufacturer's specification of the personal safety equipment used including deflection of the harness + body height + 1m safety margin.
- Before use, you must visually check the entire restraint system for obvious defects (e.g. deformations, abrasion, weathering, cracks (harness strap, net yarn), fray, defective roof sealing, etc.). If there are any doubts concerning the safe function of the restraint system, it must be inspected by an expert (written documentation).
- At least once a year, an expert must check the complete safety device including the personal protective equipment used. The inspection by an expert must be documented in the provided test log.
- After a fall and the resulting strain, you must stop using the restraint system and have it checked by an expert.

PRIOR TO EACH USE THE USER MUST INSPECT:

- Damage to cables and seams (e.g. check for cracks, cuts, abrasion, fray or other damage).
- Damage to plastic and/or metal components and the reliable operation of the ratchet and the buckles.
- Also use the test sheet to ensure for yourself that the restraint system is suitable for the application.

ANNUAL INSPECTION:

- The restraint system must be subjected to a visual and function check at least every 12 months by an appropriately qualified expert. Depending on the intensity of use and environment it may be necessary to shorten the inspection intervals.
- The inspection must be documented on the test sheet (page 13) and the test log (pages 14 and 15) and stored together with the restraint system.

It is, furthermore, necessary to submit test threads for inspection within the first 24 months and at least every 12 months after that: (Figs. 1–3)

- 1** Cut through the cable tie fixing the test thread to the net.

ATTENTION: MAKE SURE NOT TO DAMAGE THE NET!

- 2** Detach one test thread including rating plate.
- 3** Package the test thread and send it to INNOTECH!

A product that does no longer appear to be safe must no longer be used and must be replaced immediately!

ATTENTION: STOP USING THE EQUIPMENT IF:

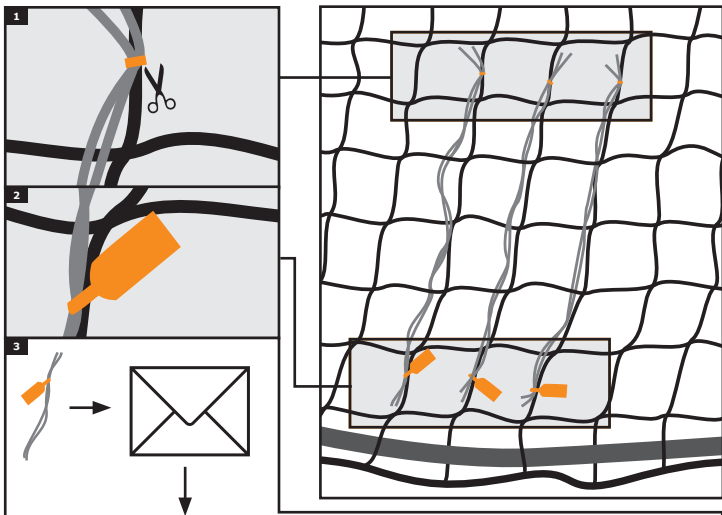
- Damage or wear to its components is obvious.
- Stress has occurred due to falling.
- Damage is determined through regular inspection.
- The maximum service life has elapsed.
- The product identification is no longer legible.

Safety nets have test threads woven in by the manufacturer that make it possible to determine if ageing has caused the strength of the net to diminish. The minimum break strength of the net is given on the label. The inspection must be performed in accordance with DIN EN 1263-1 Section 7. The address of a material testing authority can be learned from the manufacturer of the net or the competent professional association.

Repairs, changes, or supplements to the restraint system should only be executed by the manufacturer.

2

INSPECTION/SERVICE LIFE



INNOTECH® Arbeitsschutz GmbH, Laizing 10, 4656 Kirchham, Austria

3

SERVICE LIFE

The **service life** of your restraint system depends on the respective use and cannot be generally defined due to different frequencies of use, use conditions, care and storage. The safety nets may not be used for more than 24 months after production unless its test threads have been subjected to an inspection. After this period, another inspection must be conducted at least every 12 months by submitting the test threads in order to verify that the minimum energy absorption capacity of the safety net has not dropped below the minimum value.

When used in compliance with the use guidelines and inspected annually by an expert, the device has a service life of **up to five years** dating from the year of manufacture.

4

STORAGE AND CARE

Store the restraint system in a suitable protective sheath to protect it from UV radiation, chemicals, moisture, sources of heat and other environmental influences.

IF NECESSARY:

Clean the net using lukewarm water and mild soap, rinse it with clear water and let it dry in the air (never dry it in the laundry dryer or above a source of heat).
(see drawings, section 10, page 12)

5

COMPONENTS/DIMENSIONS MATERIAL/APPLICATION

COMPONENTS/DIMENSIONS

NET:

- (1) Net 2 x 2 m (3 x 3 m)
- (3) Positioning handles
- (4) Test threads

ANCHORAGE DEVICE:

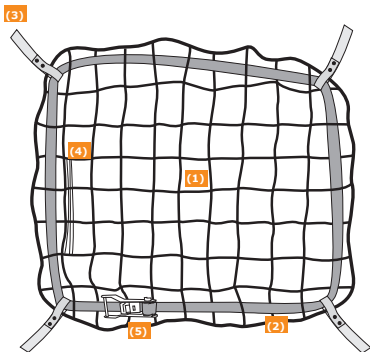
- (2) Harness strap 9 m (13 m)
- (5) Ratchet

MATERIAL

INNOTECH MOBI is made of polypropylene, high-strength PP
The ratchet is made of steel, galvanised

APPLICATION

As fall-through protection system and anchorage device for one person.



6


SUBSTRATE

As fall-through protection system: professionally installed dome light frame with or without sealing.


As anchorage device: professionally installed dome light frame with sealing.

INNOTECH MOBI has been tested and certified in accordance with EN 1263-1 and according to EN 795:2012 TYP B

FALL-THROUGH PROTECTION SYSTEM IN ACCORDANCE WITH EN 1263-1 (NET, POSITIONING HANDLES, TEST THREADS)

Designation:	Safety net
European standard:	EN 1263-1
Net system/net category:	U/A2
Mesh size in millimetres/mesh structure:	M 100/Q
Item/net dimensions in metres:	PP2/2 x 2 m (3 x 3 m)
Minimum fracture energy of the test mesh (tested in accordance with EN 1263-1, section 7.7):	38 J
Name or logo of the net's manufacturer:	DONET
Date of manufacture:	xxxx
Signs stating that the instructions specified in the manual must be followed:	

ANCHORAGE DEVICE IN ACCORDANCE WITH EN 795:2012 TYP B (HARNES STRAP AND RATCHET)

Type designation:	INNOTECH MOBI
Number of people:	1
Numbers of the applicable standards:	EN 795:2012 TYP B
DEKRA EXAM GmbH	CE 0158
Name or logo of the manufacturer/reseller:	INNOTECH
Manufacturer's year of manufacture (A) and serial number(B):	20xx xx/xxxxx
Signs stating that the instructions specified in the manual must be followed:	

(A)

(B)

INNOTECH MOBI	SIZE: 2x2 m	CE 0158	2015 P-49518	2015/01
Bei Verwendung als Anschlageneinrichtung nach EN 795:2012 Typ B			Falldämpfer: JA	Max. Bandauslenkung: 0,5m
Application as anchor device according to EN 795:2012 Typ B			Shock-Absorber: YES	Max. band deflection: 0,5 m

DEVELOPMENT & SALES: INNOTECH® Arbeitsschutz GmbH, Laizing 10, 4656 Kirchham/Austria, www.innotech.at

THE NOTIFIED AUTHORITY PARTICIPATING IN THE TYPE TEST:

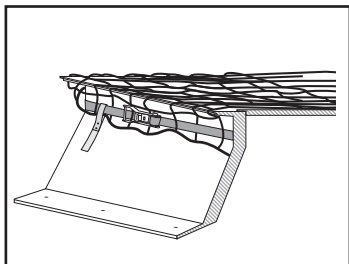
DEKRA EXAM GmbH, Dinnendahlstr. 9, 44809 Bochum, CE 0158

AS **FALL-THROUGH PROTECTION SYSTEM** IN ACCORDANCE WITH EN 1263-1

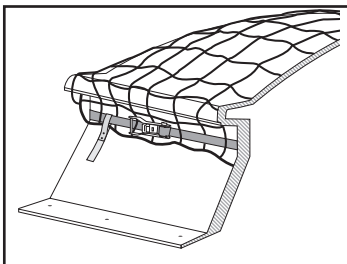
Attention: the use as fall-through protection system is still permitted if the dome light frame has already been fastened to the substrate (supporting sheet, wood frame) as required by standard, but only if it has not yet been integrated into the roof sealing (membrane, bitumen).

TEMPORARY INSTALLATION ON THE DOME LIGHT FRAME WITHOUT ROOF SEALING

Frame without light dome:

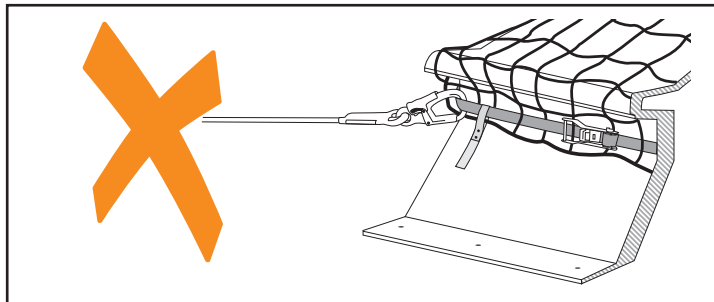


Frame with light dome:



ATTENTION:

DO NOT USE AS ANCHORAGE DEVICE UNLESS LIGHT DOME HAS BEEN INTEGRATED INTO THE ROOF SEALING.

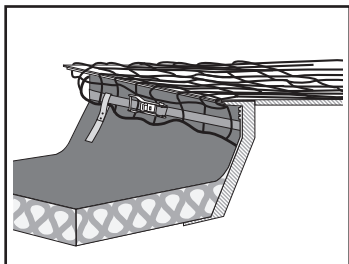


AS **FALL-THROUGH PROTECTION SYSTEM** IN ACCORDANCE WITH EN 1263-1 AND ANCHORAGE DEVICE ACCORDING TO EN 795:2012 TYP B

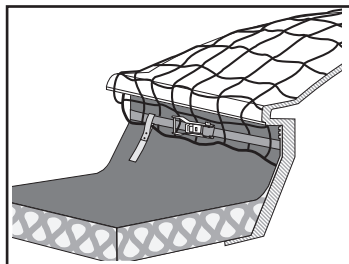
Attention: use is only permitted if the dome light frame is fastened to the substrate and integrated into the roof insulation and roof sealing (membrane, bitumen) as required by standard.

TEMPORARY INSTALLATION ON THE DOME LIGHT FRAME WITH ROOF SEALING

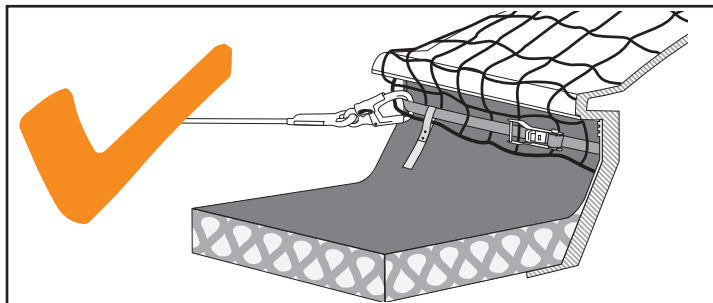
Frame without light dome:



Frame with light dome:



CAN BE USED AS ANCHORAGE DEVICE!



AS **FALL-THROUGH PROTECTION** SYSTEM IN ACCORDANCE WITH EN 1263-1
AND **ANCHORAGE DEVICE ACCORDING TO** EN 795:2012 TYP B

1 Place net over the light dome:

- Spread the net (MOBI) at a safety distance of at least 2 m from the light dome (fall opening).
- **ATTENTION! LABOUR PROTECTION LAWS REQUIRE THAT YOU BE SECURED WHEN APPROACHING A LIGHT DOME!**
- Lift the net at the two grab handle loops.
- After securing yourself, carefully approach the light dome holding up the net and cast it over the light dome.

2 Tie down the net:

- Connect the harness strap all around the light dome and disentangle it.
- Tighten the tension strap and close it carefully.
- When the tension strap is closed, it must be ensured that at least 3 rotations of the strap are wrapped around the tension pulley.
- When tightening the anchorage device, you must tighten the strap in such a way that a flat hand will fit between light dome and harness strap.
- When the strap has been tightened, the MOBI fall prevention system is ready for implementation.
- When you are finished using the harness strap, you can open it again by releasing the lever.

3 Hooking the carabiner when using the system as an anchorage device (EN 795:2012 TYP B)

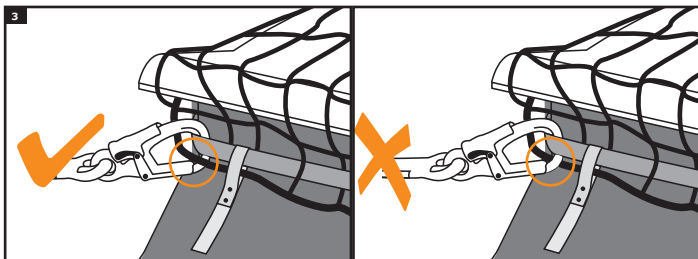
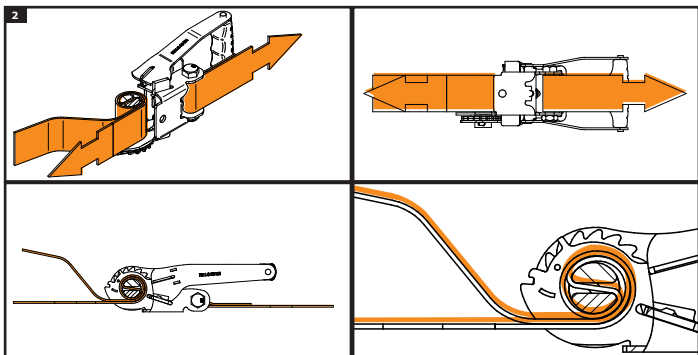
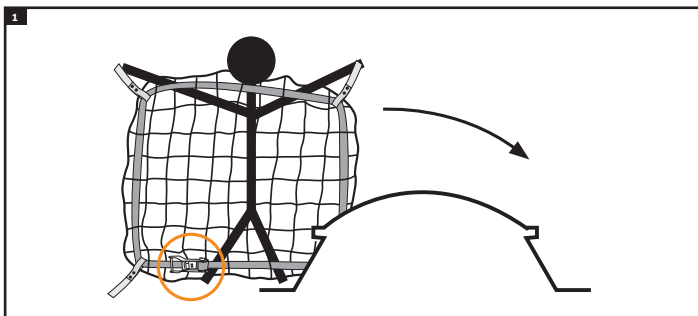
- Hook the carabiner into the harness strap and the thick strap of the net.
- Use only as an anchorage device if the light dome is attached as required by standard and has been sealed.

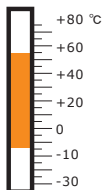
The fastener (e.g. carabiner hook) of the personal protective equipment (PPE) may only be hooked into the professionally closed tension belt.

ATTENTION ! When using the system as an anchorage point, check repeatedly if the tension belt has been installed and tied down professionally as required by the instructions for installation and use.

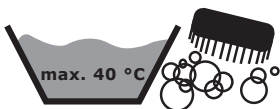
10

INSTALLATION





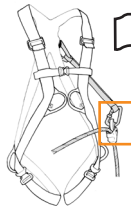
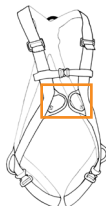
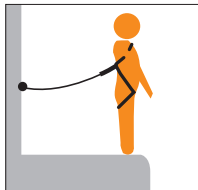
(DE) Lagerung und Transport
 (EN) Storage and transport
 (IT) Conservazione e trasporto
 (FR) Stockage et transport
 (NL) Opslag en transport
 (SV) Lagring och transport
 (DK) Opbevaring og transport
 (ES) Almacenamiento y transporte
 (PT) Armazenamento e transporte
 (PL) Magazynowanie i transport
 (CZ) Skladování a přeprava
 (HU) Tárolás és szállítás
 (TR) Saklama ve nakliye
 (PY) Хранение и транспортировка



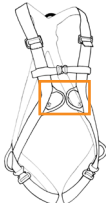
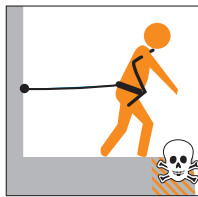
(DE) Reinigung und Pflege
 (EN) Cleaning and care
 (IT) Pulizia e manutenzione
 (FR) Nettoyage et entretien
 (NL) Reiniging en onderhoud
 (SV) Rengöring och skötsel
 (DK) Rengøring og pleje
 (ES) Limpieza y cuidado
 (PT) Limpeza e conservação
 (PL) Czyszczenie i konserwacja
 (CZ) Čištění a péče
 (HU) Tisztítás és ápolás
 (TR) Temizlik ve bakım
 (PY) Хранение и транспортировка

WHEN USED IN CONJUNCTION WITH INNOTECH STRING:

FALL ARREST SYSTEM



RESTRAINT SYSTEM



PRODUCT:

SIZE:

MANUFACTURER: **INNOTECH® Arbeitsschutz GmbH**

YEAR OF MANUFACTURE AND SERIAL NUMBER – MOBI:

DATE OF FIRST USE:

OWNER/COMPANY:

The periodic inspection must be performed and documented at least once a year by an EXPERT!

DATE	TEST RESULTS/COMMENTS	✓ ✗	INSPECTOR/ SIGNATURE
1.			
2.			
3.			
4.			
5.			
6.			

TEST LOG I

PRODUCT:

YEAR OF MANUFACTURE AND SERIAL NUMBER – MOBI:

ANNUAL SYSTEM INSPECTION executed on:

NEXT INSPECTION NO LATER THAN:

INSPECTION POINTS checked and in order

DEFECTS DETECTED

(Description of defects/measures)

DOCUMENTATION:

Instructions for installation and use

Test sheet

Test logs

VISIBLE COMPONENTS OF THE LIGHT DOME FALL-THROUGH PROTECTION SYSTEM

No damage detectable

No fouling

No fray, cracks, cuts, wear, etc. on harness strap or safety net

Test threads submitted for inspection (within the first 24 months after production and at least every 12 months thereafter)

Test threads have been checked and approved for further use (test log is available)

<input type="checkbox"/> Operation – ratchet	
ADDITIONAL COMMENTS:	
INSPECTION FINDINGS:	
Attention: Test sheet (page 13) must be completed!	
Acceptance result: The safety system corresponds to the specifications in the manufacturer's instructions for installation and use and the state of the art. Technical safety reliability is confirmed.	
Comment:	
QUALIFIED PERSON FAMILIAR WITH THE SAFETY SYSTEM	
NAME SIGNATURE	

INNOTECH® Arbeitsschutz GmbH, Laizing 10, 4656 Kirchham/Austria
www.innotech.at

