

INNOTECH SPAR-11



Instruction manual

DE – ACHTUNG: Die Verwendung des INNOTECH-Produkts ist erst zulässig, nachdem die Gebrauchsanleitung in der jeweiligen Landessprache vollständig gelesen und verstanden wurde.

EN – ATTENTION: Use of the INNOTECH product is permitted only after the instruction manual has been read and fully understood in the respective language.

IT – ATTENZIONE: L'utilizzo del prodotto INNOTECH è permesso solo previa lettura e comprensione dell'intero manuale di istruzioni nella lingua del relativo paese di utilizzo.

FR – ATTENTION : L'utilisation du produit INNOTECH n'est autorisée qu'après avoir entièrement lu et compris la notice d'utilisation dans la langue du pays concerné.

NL – ATTENTIE: Dit INNOTECH-product mag pas gebruikt worden nadat u de gebruikershandleiding in de taal van het betreffende land gelezen en begrepen hebt.

SV – O B S : Denna INNOTECH-produkt får inte användas förrän bruksanvisningen på respektive lands språk har lästs igenom och förstås.

DK – GIV AGT: Du må først bruge et produkt fra Innotech, efter du har læst og forstået brugsvejledningen i fuldt omfang i dit lands sprog.

ES – ATENCIÓN: Se autorizará el uso de los productos INNOTECH una vez que se hayan leído y entendido las instrucciones de uso en el idioma del país.

PT – ATENÇÃO: O uso do produto INNOTECH apenas é permitido depois de ter lido e compreendido na totalidade as instruções de uso na respetiva língua nacional.

PL – UWAGA: Produkty firmy INNOTECH mogą być używane dopiero po dokładnym zapoznaniu się z całą instrukcją obsługi w odczytanym języku.

TR – DİKKAT: INNOTECH ürününün kullanımına ancak ilgili ülkenin dilinde sunulmuş olan kullanım kılavuzunun tamamen okunmasından ve anlaşıldığından sonra izin verilir.

SL – POZOR: Uporaba izdelka INNOTECH je dovoljena šele po tem, ko ste navodila prebrali v celoti v ustreznem jeziku svoje dežele in jih tudi razumeli.

CZ – POZOR: Práce s výrobkem INNOTECH je povolena teprve po kompletním přečtení a porozumění návodu k použití v jazyku daného státu.

SK – POZOR: Produkt INNOTECH môžete používať až po prečítaní a porozumení celého návodu na použitie pre príslušnú krajinu.

HU – FIGYELEM: Az INNOTECH termékek használata csak azt követően engedélyezett, hogy saját nyelvén elolvasta és megértette a teljes használati utasítást.

ZH – 注意: 只有在仔细阅读并完全理解了当地语言的使用说明后, 才能使用 INNOTECH 公司的产品。

[2]	DESCRIPTION OF SYMBOLS	3
[3]	SAFETY INSTRUCTIONS	4
[4]	COMPONENTS/MATERIAL	6
[5]	USE	7
[6]	INSPECTION	8
[7]	WARRANTY	9
[8]	APPROVAL	9
[9]	SIGNS & MARKINGS	10
[10]	DIMENSIONS	11
[11]	INSTALLATION TOOLS	12
[12]	INSTALLATION SUBSTRATE	12
[13]	INSTALLATION	14
[14]	LOAD DIRECTIONS	18
[15]	DISPOSAL	18
[16]	ACCEPTANCE LOG	19
[17]	RESTRAINT SYSTEM INSTRUCTIONS	21
[18]	TEST LOG	22
[19]	DEVELOPMENT & SALES	24

Warning/danger information

For an IMMEDIATE threat of danger that can cause serious physical injuries or death.



For a POTENTIALLY dangerous situation that causes serious physical injuries or death.



For a POTENTIALLY dangerous situation that could lead to minor physical injuries and damage to property.

**Supplementary information/Instruction**

correct



incorrect



Wear protective gloves!



Wear safety spectacles!



Comply with manufacturer's instructions/applicable instruction manuals.

The following safety instructions and the latest state of the art must be complied with.

3.1 GENERAL

- The safety system may be installed or used only by persons who are:
 - trained in "personal protective equipment" (PPE).
 - in good physical and mental health Medical conditions such as Cardiovascular problems, intake of medicines, consumption of alcohol,... negatively affect the safety of the user.
 - familiar with the locally applicable safety regulations.
- The restraint system may be installed only by experts familiar with the roof safety system and in compliance with the current state of the art.
- When installing/using the INNOTECH "SPAR-11" anchorage device, the respective accident prevention regulations (e.g.: working on roofs) must be complied with.
- A plan must be available that specifies the rescue procedures for all possible emergencies. **Attention!** After a fall, an extended period of suspension in the personal protective equipment can cause severe injuries or even death (suspension trauma).
- Before starting work, ensure that no objects from the work site can fall to the ground. The area below the work site (pavement, etc.) must be kept clear.
- Plan, install, and use the anchor point in such a manner that no fall over the edge is possible if the personal protective equipment (PPE) is used properly. See planning documents at www.innotech.at.
- At the access to the roof safety system you must document the positions of the anchorage devices by means of diagrams (e.g. sketch of the roof top view).
- Do not make any changes to the safety system.
- If used on inclined roof surfaces, roof avalanches (ice, snow) must be avoided by means of suitable snow interception devices.
- After a fall and the resulting strain, you must stop using the safety system, and have it checked by an expert (component parts, fastening to the substructure, etc.).
- If you supply the safety system to external contractors, these latter must confirm in writing that they have understood this instruction manual.
- If the equipment is sold to another country, the instructions of use must be provided in the respective national language.
- Comply with the local lightning protection regulations.

3.2 FOR SAFE INSTALLATION

- All stainless steel bolts must be greased with a suitable lubricant before installation (provided: Weicon AntiSeize ASW 10000 or equivalent quality).
- Ensure that stainless steel does not come into contact with swarf or steel tools, as this can lead to corrosion.
- Use dowel logs and photos of each installation situation to document the professional attachment of the safety system to the building structure.
- The roof covering must be correctly sealed as per applicable guidelines.

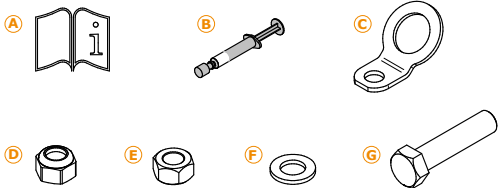


If uncertainties arise during the installation, it is imperative that you contact the manufacturer.

3.3 FOR SAFE USE

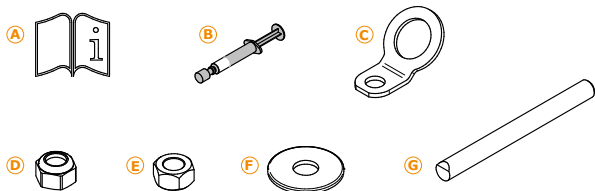
- The minimum free space necessary under the edge is calculated as follows: Deformation of the anchorage device under load + manufacturer's specification for the personal protective equipment used + body height + 1 m safety distance.
- Correct use of the individual elements including "personal protective equipment" must be ensured, because otherwise the safe functioning of the safety system is NOT guaranteed.
- Attachment to the INNOTECH "SPAR-11" is always made with one carabiner through the rotating anchorage eye, and this must be used with personal protective equipment in accordance with EN 361 (safety harness) and EN 363 (fall arrest system).
- **ATTENTION!** For horizontal use, lanyards may be used only if they are suited for this purpose and have been tested for the respective edges (sharp edges, trapezoidal sheeting, steel girders, concrete, etc.).
- Do NOT use restraint systems if wind speeds are higher than normal.
- Children and pregnant women must NOT use the safety system.

4.1 INNOTECH "SPAR-11-50"



- A) Instruction manual**
B) Lubricant: Weicon AntiSeize ASW 10000
C) Anchorage eye: Stainless steel AISI 304
D) M16 Lock nut: Stainless steel AISI 304
E) Hex nut M16: Stainless steel AISI 304
F) 2x Washer M16: Stainless steel AISI 304
G) Hex bolt M16x70 mm: Stainless steel AISI 304

4.2 INNOTECH "SPAR-11-125"



- A) Instruction manual**
B) Lubricant: Weicon AntiSeize ASW 10000
C) Anchorage eye: Stainless steel AISI 304
D) M16 Lock nut: Stainless steel AISI 304
E) Hex nut M16: Stainless steel AISI 304
F) Washer M16 3D: Stainless steel AISI 304
G) Threaded rod M16x170 mm: Stainless steel AISI 304

4

COMPONENTS/MATERIAL

4.3 INNOTECH "SPAR-11-200-500"



A)



B)



C)



D)

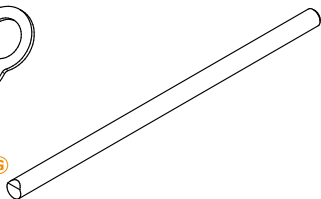


E)



F)

G)

**A) Instruction manual****B) Lubricant:** Weicon AntiSeize ASW 10000**C) Anchorage eye:** Stainless steel AISI 304**D) M16 Lock nut:** Stainless steel AISI 304**E) 6x Hex nut M16:** Stainless steel AISI 304**F) 2x Washer M16 3D:** Stainless steel AISI 304**G) Threaded rod M16x250-550 mm:** Stainless steel AISI 304

5

INTENDED
USE

INNOTECH "SPAR-11" was developed as an **anchor point** for personal safety for **3 people** (including 1 person for first aid use) and is suitable for the following fall protection systems in accordance with EN 363:2008:

- Restraint systems
- Fall arrest systems
- Rescue systems

**DANGER TO LIFE through incorrect use.**

- INNOTECH "SPAR-11" must be used **ONLY** for personal safety.
- **NEVER** suspend loads from the INNOTECH "SPAR-11".



Comply with the manufacturer's instructions for the personal protective equipment being used.

6.1 INSPECT BEFORE EVERY USE

Prior to each use, INNOTECH "SPAR-11" must be checked visually for any obvious defects.

**DANGER TO LIFE from damage to the INNOTECH "SPAR-11".**

- INNOTECH "SPAR-11" must be in perfect working condition.
- Do NOT use INNOTECH "SPAR-11" any longer if:
 - Damage or wear to its components are obvious.
 - Other defects were observed (loose threaded joints, deformation, corrosion, wear, etc.),
 - Strain has occurred due to a fall (exception: provision of first aid).
 - It is not possible to read the product labelling.

Check the entire safety system's suitability for use, on the basis of the acceptance log and test log.



If there are any doubts concerning the reliable operation of the fall protection system, it must NO LONGER be used and must be checked by an expert (written documentation).

If necessary, the product must be replaced.

6.2 INSPECT ANNUALLY

Have INNOTECH "SPAR-11" checked at least once per year by an expert who is familiar with the safety system. The user's safety depends on the effectiveness and durability of the equipment.

Shorter inspection intervals may be required, depending on the intensity of use and the environment (e.g. in corrosive atmospheres, etc.).

Document the inspection by the expert in the test log of the instruction manual, and keep this with the instruction manual.



Refer to the test log for inspection intervals.

7

WARRANTY

For normal conditions of use, the guarantee period for manufacturing defects on all parts is 2 years from the date of purchase. The time limit is shortened for use in corrosive atmospheres.

If there is strain (a fall, weight of snow, etc.), the warranty claim is void for those components that are designed to absorb energy or to deform.



For system installation, and for components planned and installed by expert installation companies under their own responsibility, INNOTECH assumes neither responsibility nor warranty in the case of improper use.

8

APPROVAL

INNOTECH "SPAR-11" was tested and certified as an anchorage device as per **EN 795:2012 TYPE A and CEN/TS16415**.


The notified authority participating in the type test is:

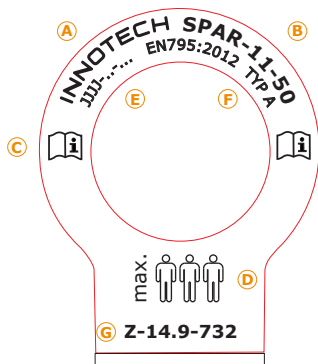
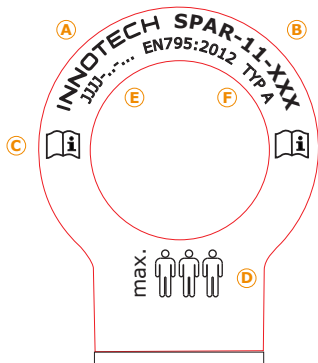
DEKRA EXAM GmbH, Dinnendahlstr. 9, 44809 Bochum, Germany ☎ 0158

The type test was performed in accordance with EN 795:2012

Authority that participated in the **national technical approval**, as per federal state building code:

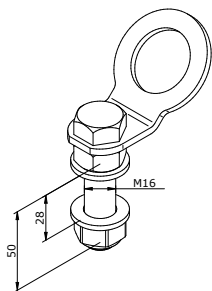
Deutsches Institut für Bautechnik (DIBt), Kolonnenstrasse 30 B, D-10829 Berlin, Germany Z-14.9-732

- A) Name or logo of the manufacturer/retailer: INNOTECH
 B) Type designation: EAP-SPAR-11
 C) Signs stating that the instruction manual must be followed: 
 D) Maximum number of persons that can be secured: 3 (including 1 person for provision of first aid)
 JJJJ-...-...
 E) Year of manufacture and manufacturer's serial number: JJJJ-...-...
 F) Number of the applicable standard: EN 795:2012 TYPE A
 G) DIBt approval number: Z-14.9-732
 for SPAR-11-50 only

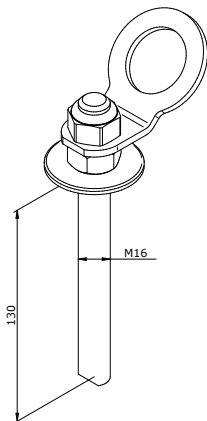


10 DIMENSIONS

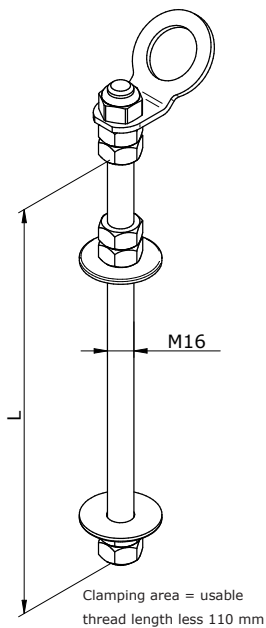
[mm] **SPAR-11-50**



SPAR-11-125



SPAR-11-200-500

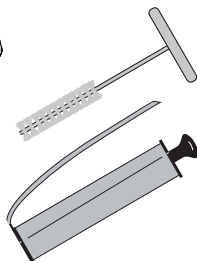
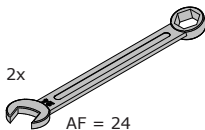
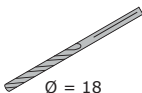
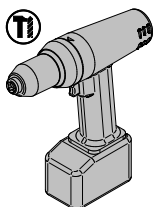


Standard length (L): 200/300/400/500 mm
(Special lengths upon request)

11

INSTALLATION TOOLS

[mm]



12

INSTALLATION SUBSTRUCTURE:

12.1 CONCRETE

The basic requirement for professional/correct installation is statically load-bearing **construction concrete (solid concrete)** with a **concrete quality of a minimum of C20/25**, and the use of the original fasteners listed in this instruction manual.

DANGER TO LIFE as a result of installation on unsuitable installation substrate.

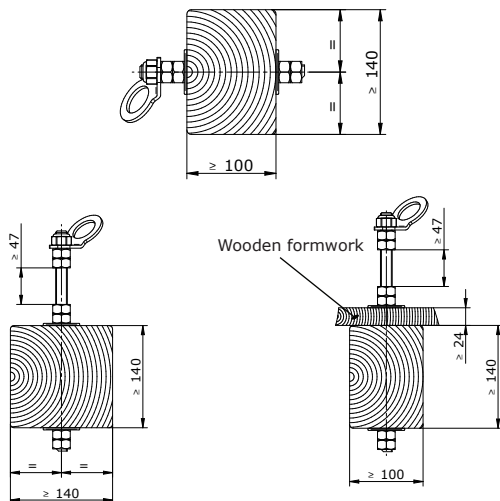
- Install INNOTECH "SPAR-11" on statically load-bearing construction concrete (solid concrete) having a concrete quality of at least C20/25.
- **DO NOT install on screed, levelling concrete, blinding concrete etc. ...**
- In case of doubt, have the installation substructure checked by a structural engineer or by the manufacturer.

APPROVED ADHESIVE: COMPOUND MORTAR

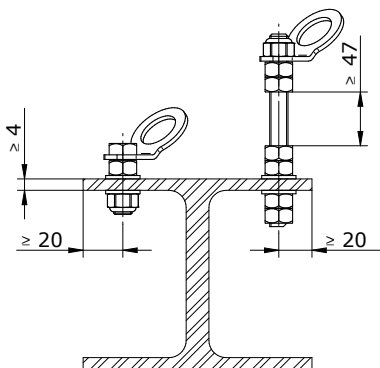
FISCHER (compound mortar) FIS SB 390 S (**INNOTECH "MONT-FIS-SB-390-S"**)
HILTI HY 200

Not included in the delivery!

12.2 WOOD



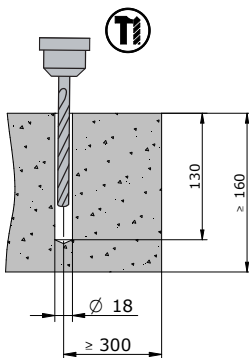
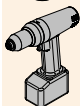
12.3 STEEL CONSTRUCTION



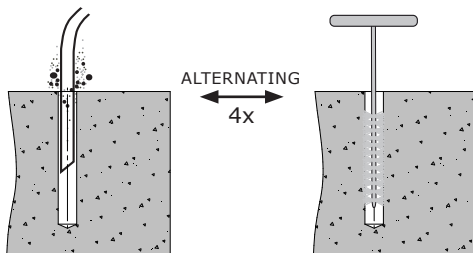
13 INSTALLATION

13.1 CONCRETE

1.



2.



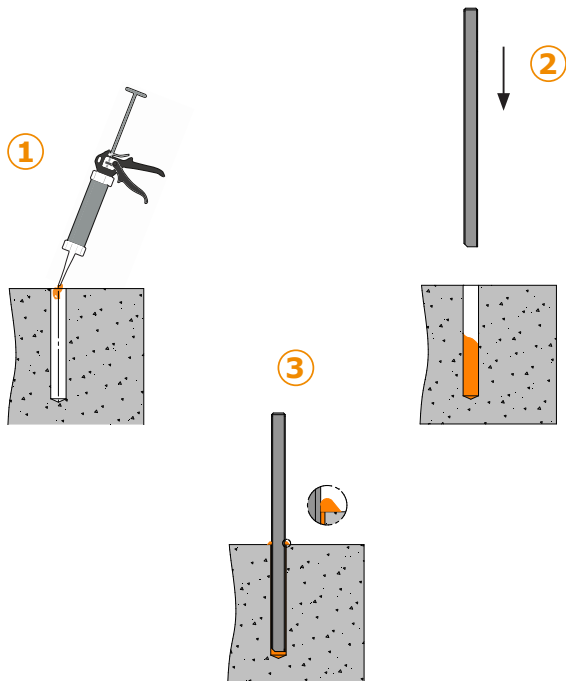
3.

FISCHER compound mortar FIS SB 390 S
(INNOTECH "MONT-FIS-SB-390-S") or HILTI HY 200



DANGER TO LIFE if UNAPPROVED adhesives are used.

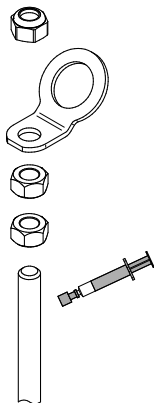
- Use only approved adhesives
(see section on installation substructure).



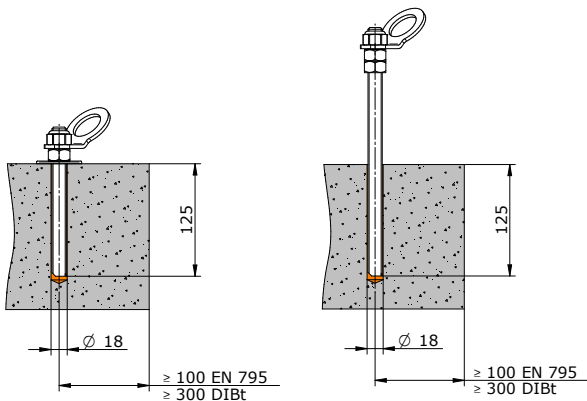
Adhere to the setting time!

13 INSTALLATION

4.

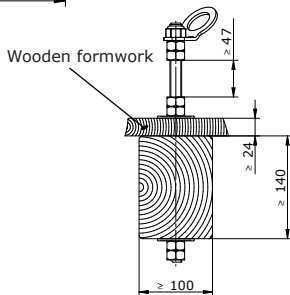
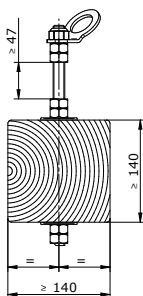
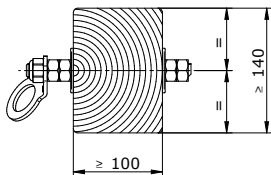
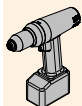


5.

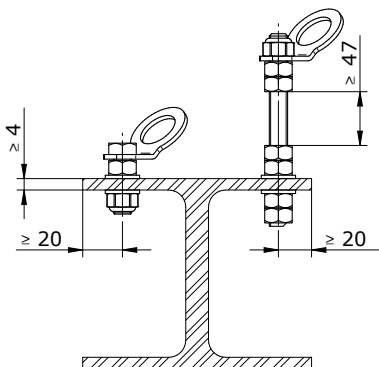
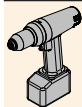


13 INSTALLATION

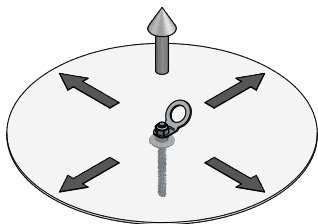
13.2 WOOD



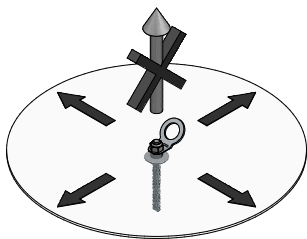
13.3 STEEL CONSTRUCTION



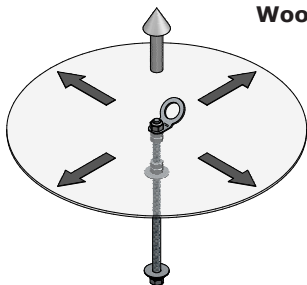
Concrete EN 795



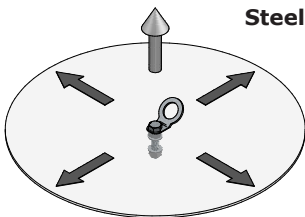
Concrete DIBt



Wood



Steel construction



DANGER TO LIFE when used in **UNAPPROVED** load directions.
 - Use INNOTECH "SPAR-11" only in the approved load directions.

15 DISPOSAL

Do NOT dispose of the safety system in household waste.
As per national requirements, collect the used parts together, and dispose of them in an environmentally correct manner.

16 COPY TEMPLATE ACCEPTANCE LOG

ACCEPTANCE LOG NO. _____ (PART 1/2)

S P A R - 1 1

ORDER NUMBER: _____

PROJECT: _____

CLIENT: _____ Specialist: _____ 

Company address: _____

CONTRACTOR: _____ Specialist: _____ 

Company address: _____

INSTALLATION: (mark with a cross where applicable)

PRODUCT: Item **SPAR-11** Year of manufacture/Serial number: _____

Single anchor point (EAP)

Specialist: _____ 

Company address: _____

16 COPY TEMPLATE ACCEPTANCE LOG

ACCEPTANCE LOG NO. _____ (PART 2/2)

S P A R - 1 1

FASTENER/PHOTO DOCUMENTATION

PRODUCT: Item _____ Year of construction/Serial number: _____

Identification marking of anchorage point (e.g.: INNOTECH "STABIL-STA-10-300",
INNOTECH "FALZ-15-45", ...)

Installation substrate: _____

(e.g.: solid concrete, quality: C20/25, wood rafter dimension, for sheet metal roofs: roof manufacturer, profile, material, sheet metal thickness, etc.)

Date:	Location:	Dowel type: BEF/Sticker?/ Designation	Setting depth: [mm]	Drill bit Ø: [mm]	Torque:	Photos: (storage location)
			mm	mm	Nm	
			mm	mm	Nm	

The installation company who signs warrants correct workmanship (edge spacing, inspection of the substructure, proper cleaning of bores, compliance with curing times and processing temperature, compliance with the dowel manufacturer's guidelines, etc.)

The client accepts the work performed by the contractor. The instruction manual, documentation of the fastenings, and photo documentation and test logs have been transferred to the client (building owner) and are to be made available to the user. When accessing the safety system, the building owner must document the positions of the attachment devices by means of diagrams (e.g. sketch of the roof top view).

The expert fitter familiar with the safety system confirms that the installation work has been executed correctly, as per the state of the art, and as per the manufacturer's instructions of use. The technical safety reliability is confirmed by the installation company.

Handover of: (e.g.: personal protective equipment PPE, fall arrest devices HSG, storage cabinet, etc.)

Item _____ Item _____ Item _____ Item _____

Included in lightning protection system? YES NO

Comments: _____

Name: _____
Client

Inspection: contractor (expert who is familiar
with the safety system)

Date, company stamp, signature

Date, company stamp, signature

**INSTRUCTIONS FOR THE EXISTING
SAFETY SYSTEM**

The building owner must affix this notice in a conspicuous location at the access point to the system.

This system must be used as per the state of the art and the instruction manual.

The storage location for the instruction manuals, test logs, etc. is:

- Overview plan showing the position of the anchorage device:

Mark areas where there is a break-through hazard (e.g. skylights and/or light strips)

For the maximum limit values of the anchorage devices, refer to the relevant instructions of use or the rating plate of your system.

If there is strain caused by fall, or if in doubt, the anchorage device must be taken out of service immediately and sent to the manufacturer, or to an expert workshop for inspection and repair. The same applies if there is damage to the anchorage equipment.

TEST LOG NO. _____ (PART 1/2)

S P A R - 1 1

ORDER NUMBER: _____

PROJECT: _____

PRODUCT: Item SPAR-11 Year of manufacture/Serial number: _____

(Type designation SINGLE ANCHOR POINT)

ANNUAL SYSTEM INSPECTION CARRIED OUT ON: _____

LATEST DATE FOR ANNUAL SYSTEM INSPECTION: _____

CLIENT: Specialist: 

Company address: _____

CONTRACTOR: Specialist: 

Company address: _____

INSPECTION POINTS:	DEFECTS DETECTED:
<input checked="" type="checkbox"/> inspected and in order!	(Description of defects/measures)
DOCUMENTATION:	
<input type="checkbox"/> Instruction manual	
<input type="checkbox"/> Acceptance log/Fastener documentation/ Photo documentation	
PPE (Personal Protective Equipment against falls from a height): <i>Inspection as per manufacturer's specifications</i>	
<input type="checkbox"/> Expiration date	
<input type="checkbox"/> Annual inspection performed	
<input type="checkbox"/> Not checked (no authorisation)	
ROOF SEALING:	
<input type="checkbox"/> No damage	
<input type="checkbox"/> No corrosion	

TEST LOG NO. _____ (PART 2/2)

S P A R - 1 1

INSPECTION POINTS:	DEFECTS DETECTED: (Description of defects/measures)
<input checked="" type="checkbox"/> inspected and in order!	
VISIBLE PARTS OF THE ANCHORAGE DEVICE:	
<input type="checkbox"/> No deformation	
<input type="checkbox"/> Rotation of anchorage eye	
<input type="checkbox"/> No corrosion	
<input type="checkbox"/> Threaded joints secured	
<input type="checkbox"/> Firmly seated	
<input type="checkbox"/>	

Acceptance result: The restraint system corresponds to the manufacturer's instruction manual and to the state of the art. Technical safety reliability is confirmed.

Comments: _____

Name: _____
Customer

Inspection: contractor (expert
who is familiar with the safety system)

Date, company stamp, signature

Date, company stamp, signature

INNOTECH Arbeitsschutz GmbH, Laizing 10, 4656 Kirchham/Austria
www.innotech.at

