



## Instruction manual

**DE – ACHTUNG:** Die Verwendung des INNOTECH-Produkts ist erst zulässig, nachdem die Gebrauchsanleitung in der jeweiligen Landessprache vollständig gelesen und verstanden wurde.

**EN – ATTENTION:** Use of the INNOTECH product is only permitted after the instruction manual has been read and fully understood in the respective language.

**IT – ATTENZIONE:** L'utilizzo del prodotto INNOTECH è permesso solo previa lettura e comprensione dell'intero manuale di istruzioni nella lingua del relativo paese di utilizzo.

**FR – ATTENTION :** L'utilisation du produit INNOTECH n'est autorisée qu'après avoir entièrement lu et compris la notice d'utilisation dans la langue du pays concerné.

**NL – ATTENTIE:** Dit INNOTECH-product mag pas gebruikt worden nadat u de gebruikershandleiding in de taal van het betreffende land gelezen en begrepen hebt.

**ES – ATENCIÓN:** Se autorizará el uso de los productos INNOTECH una vez que se hayan leído y entendido las instrucciones de uso en el idioma del país.

**PT – ATENÇÃO:** O uso do produto INNOTECH apenas é permitido depois de ter lido e compreendido na totalidade as instruções de uso na respetiva língua nacional.

**DK – GIV AGT:** Du må først bruge et produkt fra Innotech, efter du har læst og forstået brugsvejledningen i fuldt omfang i dit lands sprog.

**SV – O B S :** Denna INNOTECH-produkt får inte användas förrän bruksanvisningen på respektive lands språk har lästs igenom och förstått.

**CZ – POZOR:** Práce s výrobkem INNOTECH je povolena teprve po kompletním přečtení a porozumění návodu k použití v jazyku daného státu.

**PL – UWAGA:** Produkty firmy INNOTECH mogą być używane dopiero po dokładnym zapoznaniu się z całą instrukcją obsługi w ojczystym języku.

**SL – POZOR:** Uporaba izdelka INNOTECH je dovoljena šele po tem, ko ste navodila prebrali v celoti v ustreznem jeziku svoje dežele in jih tudi razumeli.

**SK – POZOR:** Produkt INNOTECH môžete používať až po prečítaní a porozumení celého návodu na použitie pre príslušnú krajinu.

**HU – FIGYELEM:** Az INNOTECH termékek használata csak azt követően engedélyezett, hogy saját nyelvéen elolvasta és megértette a teljes használati utasítást.

**TR – DİKKAT:** INNOTECH ürününün kullanımına ancak ilgili ülkenin dilinde sunulmuş olan kullanım kılavuzunun tamamen okunmasından ve anlaşılmasından sonra izin verilir.

**ZH – 注意:** 只有在仔细阅读并完全理解了当地语言的使用说明后,才能使用 INNOTECH 公司的产品。

DE

EN

IT

FR

NL

ES

PT

DK

SV

CZ

PL

SL

SK

HU

TR

ZH

[2]	SYMBOL DESCRIPTION	3
[3]	SAFETY INSTRUCTIONS	4
[4]	COMPONENTS/MATERIAL	6
[5]	PRODUCT APPLICATION/APPROVAL	8
[6]	INSPECTION	10
[7]	GUARANTEE	11
[8]	SIGNS & MARKINGS	11
[9]	DIMENSIONS	13
[10]	INSTALLATION SUBSTRUCTURE	13
[11]	INSTALLATION TOOLS	14
[12]	INSTALLATION NOTICE	14
[13]	INSTALLATION	20
[14]	EXAMPLE APPLICATIONS	28
[15]	STRESS DIRECTIONS	29
[16]	DISPOSAL	29
[17]	ACCEPTANCE REPORT	30
[18]	SAFETY SYSTEM NOTICES	32
[19]	INSPECTION REPORT	33
[20]	DEVELOPMENT & SALES	35

**Warning/Danger Notifications**

For an IMMEDIATE potential danger which could lead to serious injury or death.



For a POTENTIALLY dangerous situation which could lead to serious injury or death.



For a POTENTIALLY dangerous situation which could lead to minor injury or property damages.



Wear protective gloves!



Wear protective glasses!

**Additional Information/Instructions**

**correct**



**incorrect**



Follow the manufacturer's instructions / appropriate user manuals.



Comply with the respective manufacturer informatin / assembly manual.

The following safety instructions and the latest technical developments must be taken into account.

## 3.1 GENERAL

- The safety system may only be assembled by competent, qualified persons who are familiar with the safety system. It may only be assembled in accordance with the latest technical developments.
- The protective equipment may only be used by persons who:
  - have been trained to use "Personal Protective Equipment" (PPE).
  - are physically and psychologically sound. Health restrictions such as cardiovascular problems, medication use, alcohol consumption, etc. decrease user safety.
  - are familiar with the locally applicable safety rules.
- During assembly / use of the safety system, the applicable accident prevention regulations (e.g. for work on roofs) must be observed.
- The possibilities, limits and risks when using the protective equipment must be understood and accepted.
- A plan must be in place that includes lifesaving measures for all possible emergencies.
- Before beginning work, measures must be taken to ensure that no objects can fall down from the working area. The area under the working area (sidewalk, etc.) must be kept clear.
- The anchor point should be planned, installed and used in such a way that a fall over the roof edge is impossible when the personal protective equipment is used properly (see planning documents at [www.innotech.at](http://www.innotech.at)).
- At the access point to the roof safety system, the positions of the anchor points are to be posted in the form of a plan (e.g. bird's eye view sketch of the roof).
- Should any renovation work be done in the immediate vicinity of the safety system after receipt of the system, it must be verified that this work has no impact on the safety provided by the installed system! In case of doubt, a structural engineer or the manufacturer should be consulted.
- After stress on the system from a fall, the entire safety system must be taken out of operation and tested by a qualified professional (component parts, anchors to the substructure, etc.).
- The safety system is not to be modified in any way.
- On slanted roofs, snow buildup (ice, snow) must be kept from sliding by means of appropriate snow guards.
- If use of the safety system is to be allowed to external contractors, their understanding of these user instructions is to be confirmed in writing.
- The lightning protection regulations of the country must be followed.

# 3

## SAFETY INSTRUCTIONS

- If the equipment is sold to an organization in another country, the user instructions must be made available in the local language!

### 3.2 FOR INSTALLERS : FOR SAFE INSTALLATION

- All stainless steel screws are to be lubricated with appropriate lubricant before installation (included: Weicon AntiSeize ASW 10000 or equivalent).
- Stainless steel may not come into contact with sander dust or steel tools. This leads to corrosion.
- The appropriate attachment of the safety system to the construction must be documented with anchor logs and photos of the circumstances of installation.
- The installers must ensure that the substructure is appropriate for the installation of the anchoring device. In case of doubt, consult a structural engineer.
- The roof covering must be properly sealed according to the appropriate guidelines.
- **ATTENTION!** After installing the safety system, the installer is to apply a test load to the middle portion of the cable, then check the indicator clamp.

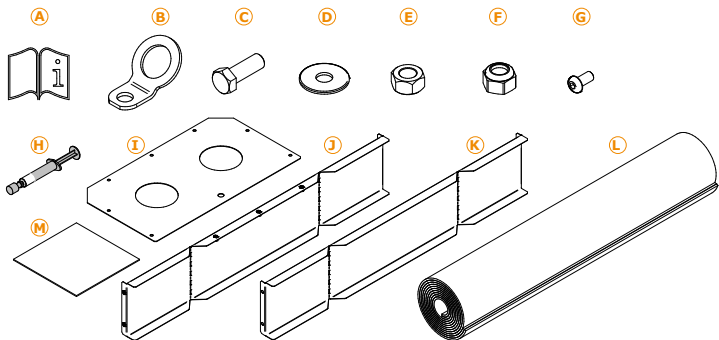


Should anything be unclear during the installation process, it is imperative that the manufacturer be contacted.

### 3.3 FOR USERS : FOR SAFE USE

- The minimum free space required below the roof edge is calculated as follows: Deformation of the anchoring device in case of stress + distance designated by manufacturer of the personal protective equipment used, including deviation from cable + user height + 2 m safety margin.
- **ATTENTION!** If the INNOTECH "VARIO" is installed without gravel, the fall height increases by 0.5 m.
- The individual elements, including the "Personal Protective Equipment" must be used appropriately, since the protective function of the safety system is otherwise NOT provided.
- **ATTENTION!** The INNOTECH "VARIO" must not be used in icy conditions, unless grounded in a layer of sand, gravel or earth which is at least 5 cm. deep.
- A karabiner is always needed to secure the attachment to the safety system through the rotating anchorage eye, and a personal protective equipment in accordance with EN 361 (safety harness) and EN 363 (fall arrest system) must always be used.
- **ATTENTION!** When used horizontally, only lanyards specifically approved for this purpose and the roof edge type in question (sharp edges, trapezoidal sheet, steel girders, concrete, etc.) may be used.
- In case of unusually strong winds, the safety system must NOT be used.
- The safety system must NOT be used with fall arresters (EN 360).
- Children and pregnant women should NOT use the safety system.

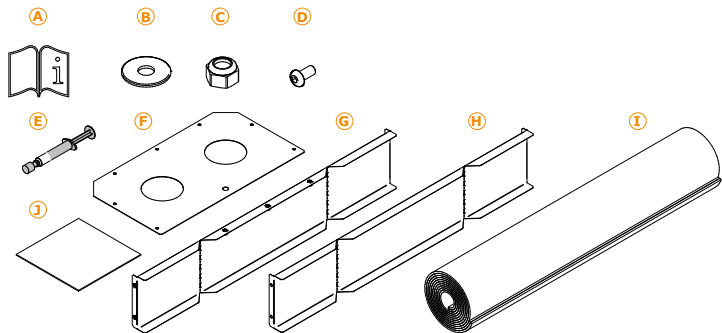
## 4.1 INNOTECH "EAP-VARIO"



VARIO: 41 kg

- A) Instruction manual**  
**B) Anchor eye:** Stainless steel AISI 304  
**C) Hex screw M16x45 mm:** Stainless steel AISI 304  
**D) 2x washer M16 3D:** Stainless steel AISI 304  
**E) Hex nut M16:** Stainless steel AISI 304  
**F) Self-locking nut M16:** Stainless steel AISI 304  
**G) 28x pan head screw:** Stainless steel AISI 304  
**H) Lubricant:** Weicon AntiSeize ASW10000  
**I) 2x cover plate:** Stainless steel AISI 304  
**J) 4x side plate:** Stainless steel AISI 304  
**K) 4x side plate:** Stainless steel AISI 304  
**L) 2x underlay, 6 mm, 2 x 1 m:** Polyurethane  
**M) 4x underlay, 3 mm, 250 x 250 mm:** Polyurethane

## 4.2 INNOTECH "AIO-VARIO"



VARIO: 41 kg

- A) **Instruction manual**
- B) **2x washer M16 3D:** Stainless steel AISI 304
- C) **Self-locking nut M16:** Stainless steel AISI 304
- D) **28x pan head screw:** Stainless steel AISI 304
- E) **Lubricant:** Weicon AntiSeize ASW10000
- F) **2x cover plate:** Stainless steel AISI 304
- G) **4x side plate:** Stainless steel AISI 304
- H) **4x side plate:** Stainless steel AISI 304
- I) **2x underlay, 6 mm, 2 x 1 m:** Polyurethane
- J) **4x underlay, 3 mm, 250 x 250 mm:** Polyurethane

## 5.1 PRODUCT APPLICATION INNOTECH "EAP-VARIO"

INNOTECH "EAP-VARIO" was developed as an **anchor point** for the personal protection of **1 person** (excluding 1 person for first aid administration) in accordance with **EN 795:2012 TYP E** and is suitable for the following fall prevention systems according to EN 363:2008:

- Restraining systems
- Work positioning systems
- Fall arrest systems
- Rescue systems

## 5.2 PRODUCT APPLICATION INNOTECH "AIO-VARIO"

INNOTECH „AIO-VARIO“ was developed

- as **fastening point** for personal protection **for end and corner points as well as intermediate bracket** (*not included!*) **in the INNOTECH horizontal lifeline system as per EN 795:2012 TYP C & E for 2 persons** (including 1 person for first aid administration) and
- as **anchor point** for personal protection for **1 person** (excluding 1 person for first aid administration) as per **EN 795:2012 TYP E**, and is suitable for the following fall prevention systems according to EN 363:2008:
  - Restraining systems
  - Work positioning systems
  - Fall arrest systems
  - Rescue systems

**DANGER OF DEATH if used improperly.**

- Use INNOTECH-VARIO ONLY for personal protection.
- NEVER hang loads on INNOTECH-VARIO which are NOT approved of in this instruction manual.



**Follow the manufacturer's instructions for the personal protective equipment used.**



**5.3 APPROVAL INNOTECH "EAP-VARIO"**

INNOTECH "EAP-VARIO" was tested and certified in accordance with **EN 795:2012 TYP E**.

Notified bureau for type examination:

TÜV Austria Services GmbH, Deutschstrasse 10, A - 1230 Vienna / Austria, CE 0408

**5.4 APPROVAL INNOTECH "AIO-VARIO"**

INNOTECH "AIO-VARIO" was tested and certified in accordance with **EN 795:2012 TYP C & E**

Notified bureau for type examination:

TÜV Austria Services GmbH, Deutschstrasse 10, A - 1230 Vienna / Austria, CE 0408

## 6.1 INSPECT BEFORE EACH USE

INNOTECH-VARIO is to be checked visually before each use for visible flaws.



**DANGER**

**DANGER OF DEATH due to damage to INNOTECH-VARIO.**

- INNOTECH-VARIO must be in flawless condition.
- INNOTECH-VARIO must NOT be used if:
  - components are visibly damaged or worn,
  - any other flaws have been observed (loose screw connections, deformations, corrosion, wear, etc.),
  - the stress of a fall has been exerted on the construction (exception: first aid administration),
  - the product designation is illegible.

The usability of the entire safety system must be confirmed through the acceptance and inspection reports.



**In case of doubt regarding the safe functioning of the safety system, take it out of service and have it tested by a competent professional (with written confirmation).**

**Replace the product if necessary.**

## 6.2 ANNUAL INSPECTION

Have the INNOTECH-VARIO examined at least once annually by an experienced professional who is familiar with the safety system. The safety of the user is dependent upon the effectiveness and durability of the equipment.

Depending upon the intensity of use and the environment, shorter examination intervals can be necessary (e.g. in case of corrosive atmosphere, etc.).

The qualified professional's examination is to be documented in the testing log included in the user manual and kept on record with the user manual.



**Follow the testing intervals found in the inspection log.**


All components are guaranteed against manufacturing flaws for 2 years from the date of purchase (under normal conditions of use). The period is shortened when components are used in corrosive atmospheres.

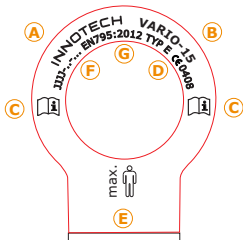
In case of a stress on the system (fall, snow pressure, etc.) the guarantee covering components which were designed to absorb energy or which were deformed is void.



**For system installation and for components which are planned and installed by professional installation firms under their own responsibility; INNOTECH® takes no responsibility and offers no guarantee in case of improper installation.**

## 8.1 INNOTECH "EAP-VARIO"

- |  |   |
|--|---|
| A) Name or logo of the manufacturer / seller:            | INNOTECH®   |
| B) Type designation:                                     | EAP-VARIO-15  |
| C) Sign that the user instructions must be followed:     |  |
| D) CE compliance marking:                                | CE 0408   |
| E) Maximum number of persons to be fastened:             | 1 (excluding 1 person for first aid administration)                               |
| F) Year of manufacture and manufacturer's serial number: | JJJJ-...-...  |
| G) Number of the applicable norm:                        | EN 795:2012 TYP E   |



### INNOTECH VARIO-15



- Verwendung als Einzelschlagpunkt für eine Person! / Use as a single anchor point for 1 person
- Falldämpfer notwendig! / Shock absorber required!
- min. Freiraum unter der Absturzstelle errechnet sich: Herstellerangabe der verwendeten PSA + Körpergröße + 2m / min. free space below the fall point is calculated as: Manufacturer's specification of the PPE used + body height + 2m
- Bei Frost oder Frostgefahr eingeschränkte Verwendung! / Use is restricted in case of frost or danger of frost!

 Produktbeschreibung lesen! / Read instruction manual!

CE 0408

200C-...-...  
EN 795:2012 TYP E

## 8.2 INNOTECH "AIO-VARIO"

A) Name or logo of the manufacturer / seller:

INNOTECH®

B) Type designation:

AIO-VARIO-45

C) Sign that the user instructions must be followed:



D) CE compliance marking:

CE 0408

E) Year of manufacture and manufacturer's serial number:

YYYY-...-...

F) Number of the applicable norm:

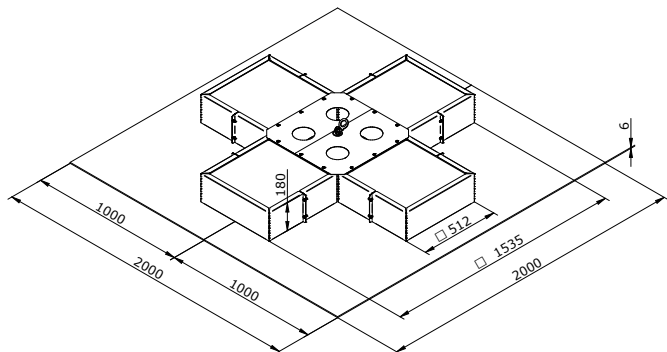
EN 795:2012 TYP C &amp; E



## 9

## DIMENSIONS

[mm]



## 10

## INSTALLATION SUBSTRUCTURE

## 10.1 BITUMEN OR FOIL ROOF

Proper installation requires a **bitumen or foil roof with a roof ledge and max. incline of 5°** which has been laid in accordance with the applicable norms and technical regulations, as well as a statically load-bearing subconstruction and the use of the original fastening elements and underlay mats listed in this instruction manual.

**DANGER OF DEATH if installed on an unsuitable substructure.**

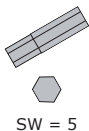
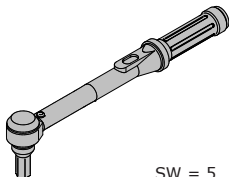
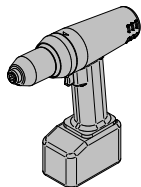
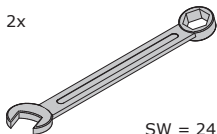
- In case of doubt, consult a structural engineer or the manufacturer regarding the suitability of the installation substructure.
- Underlay mats must be tested for material compatibility with the installation substructure.

# 11

## INSTALLATION TOOLS

[mm]

2x

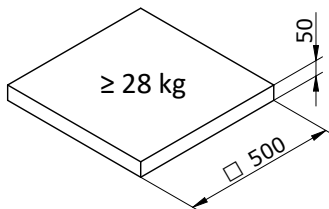
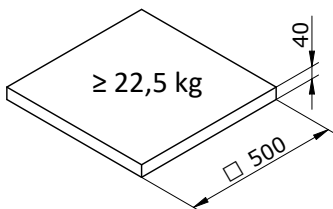


# 12

## INSTALLATION NOTICE

### 12.1 APPROVED CONCRETE SLABS

[mm]



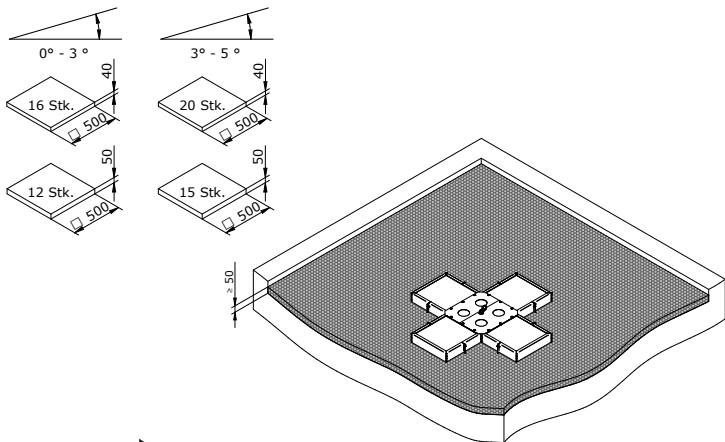
16x | 500 x 500 x 40 mm + VARIO ≥ 400 kg

12x | 500 x 500 x 50 mm + VARIO ≥ 376 kg

20x | 500 x 500 x 40 mm + VARIO ≥ 490 kg

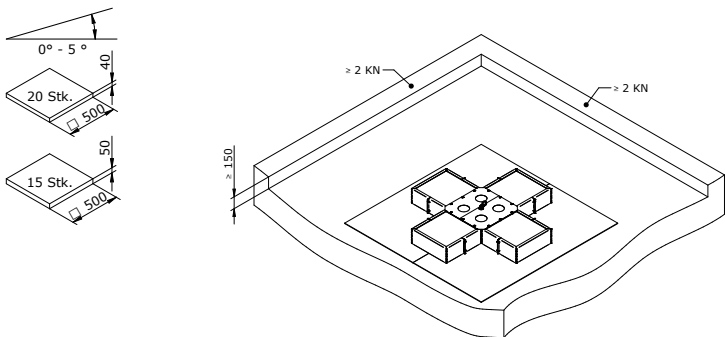
15x | 500 x 500 x 50 mm + VARIO ≥ 460 kg

## 12.2 INNOTECH "EAP-VARIO" WITH gravel layer



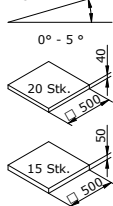
➔ A LEDGE must be present.

## 12.3 INNOTECH "EAP-VARIO" WITHOUT gravel layer

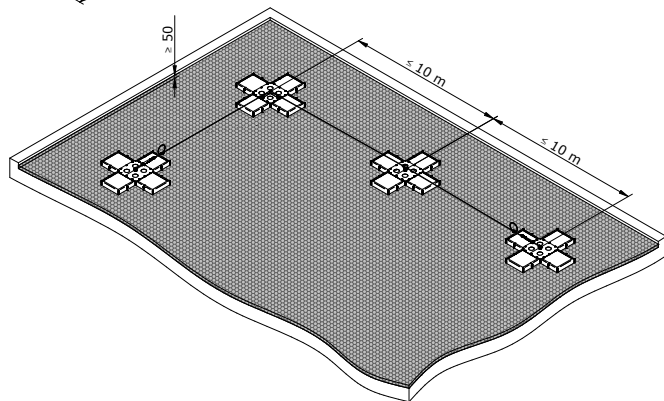
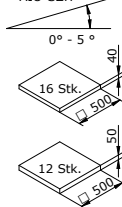


➔ The LEDGE must withstand a force of min. 2kN and reach a height of min. 150mm.

## 12.4 INNOTECH "AIO-VARIO" WITH gravel layer

AIO-EB  
AIO-EDLE

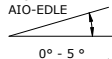
AIO-SZH



- **A LEDGE must be present.**
- **INNOTECH "ENDS-10" is only to be used with INNOTECH "SHOCK-10/-11". (Not included!)**
- **For simple straight cable spans, an INNOTECH "SHOCK-10/-11" must be used.**
- **For cable spans with corner pass-through elements (e.g.: INNOTECH "EDLE"), always use two INNOTECH "SHOCK-10/-11".**



## 12.5 INNOTECH "AIO-VARIO" WITHOUT gravel layer / WITH "Z31"

AIO-EB  
AIO-EDLE

0° - 5°

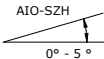


20 Stk.



15 Stk.

AIO-SZH



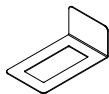
0° - 5°



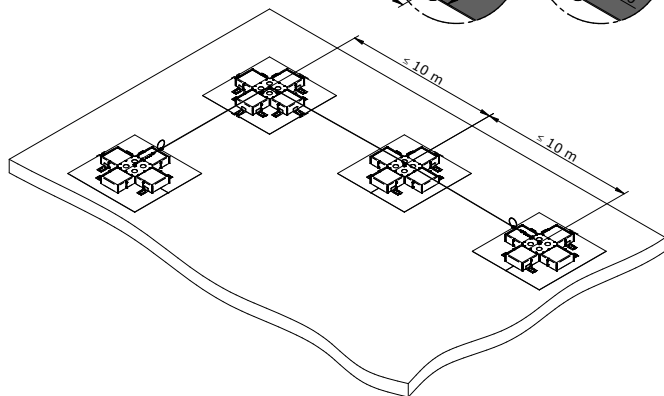
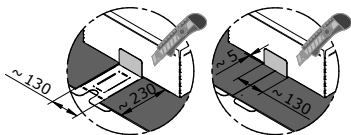
16 Stk.



12 Stk.

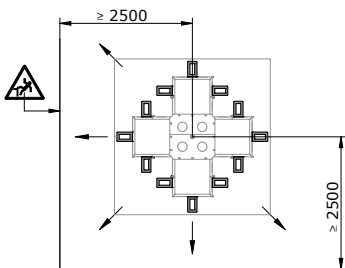
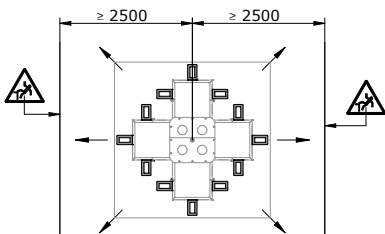
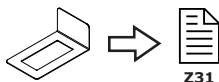
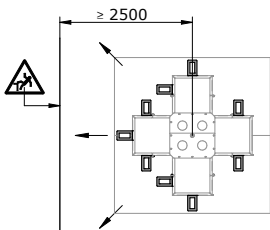


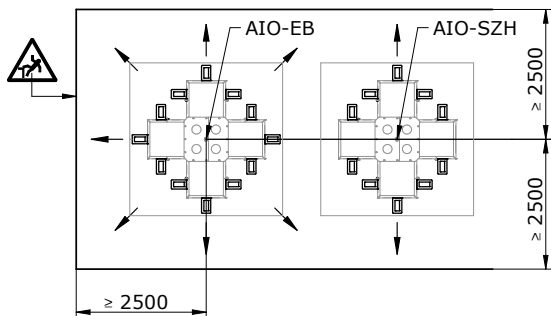
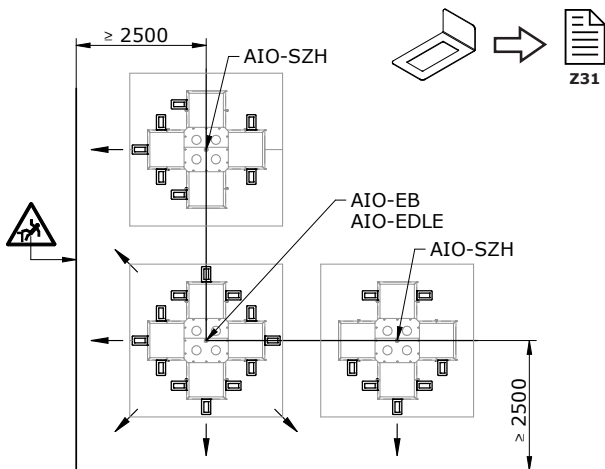
Z31



- INNOTECH "ENDS-10" is only to be used with INNOTECH "SHOCK-10/-11". (Not included!)
- For simple straight cable spans, an INNOTECH "SHOCK-10/-11" must be used.
- For cable spans with corner pass-through elements (e.g.: INNOTECH "EDLE"), always use two INNOTECH "SHOCK-10/-11".

## 12.6 INSTALLATION NOTICE "Z31" / "EAP-VARIO"





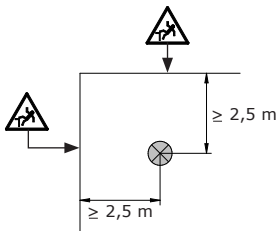
# 13 INSTALLATION



**DANGER**

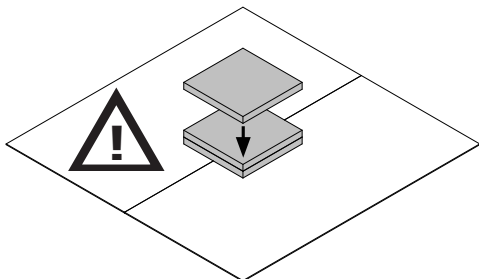
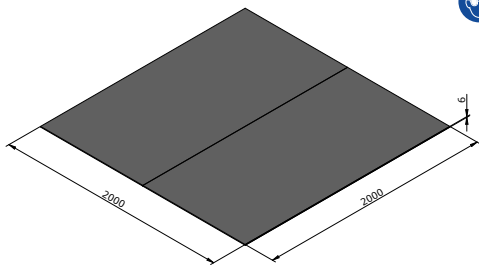
**DANGER OF DEATH if NOT installed properly.**

- INNOTECH-VARIO must be installed properly and according to the instruction manual.
- Maintain a min. distance of 2.50 m to the fall edge (Figure).



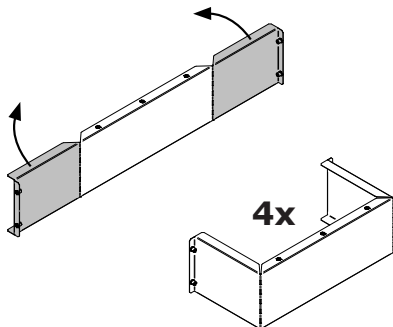
**1.**

[mm]

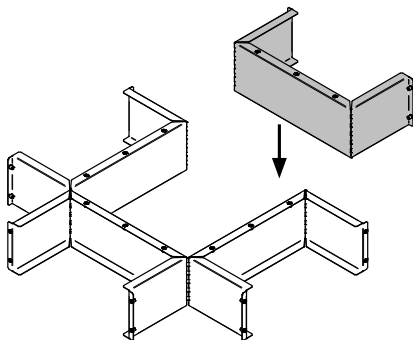


# 13 INSTALLATION

2.

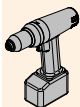


3.



# 13 INSTALLATION

4.

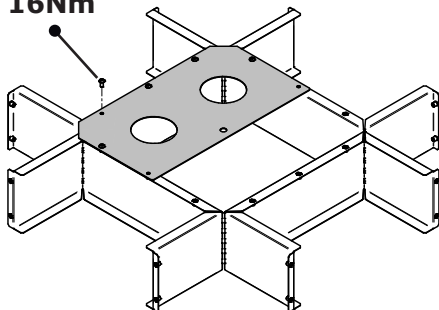


SW = 5

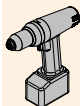


SW = 5

5x  
16Nm



5.

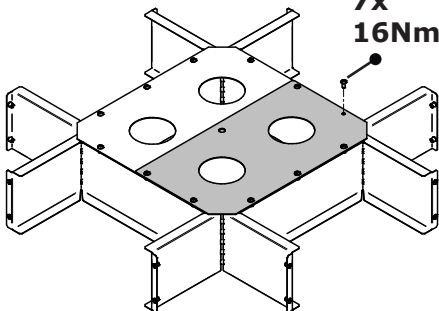


SW = 5



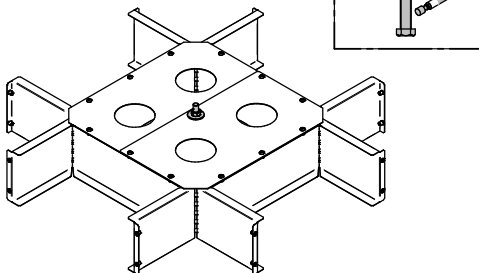
SW = 5

7x  
16Nm



# 13 INSTALLATION

6.

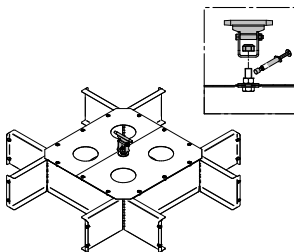
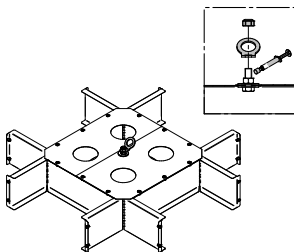


7.



**EAP**

**AIO**

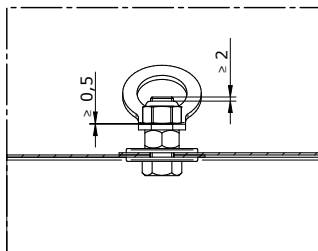


# 13 INSTALLATION

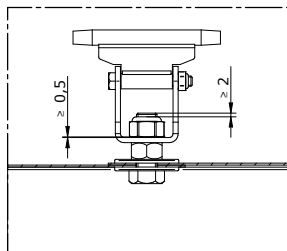
8.



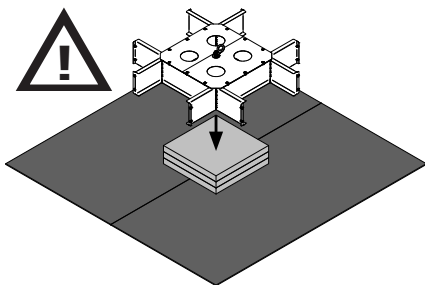
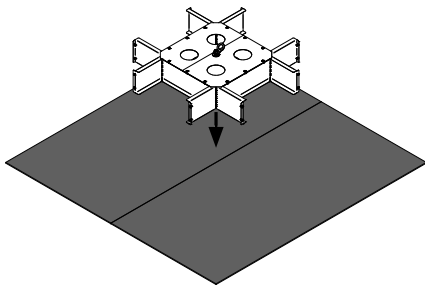
EAP



AIO



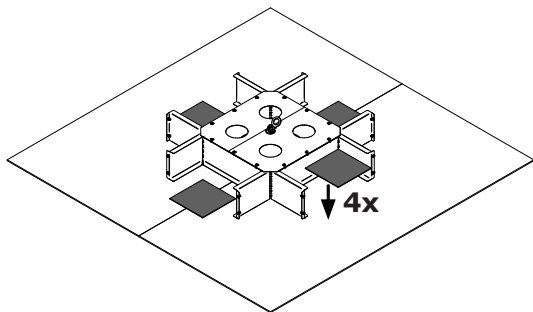
9.



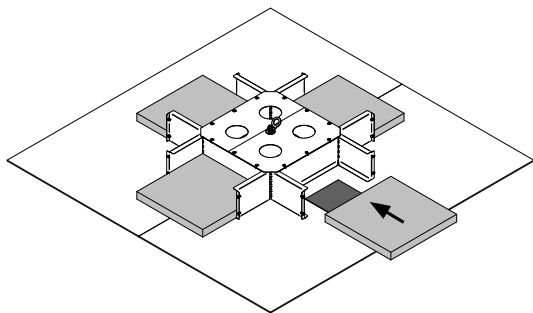


# 13 INSTALLATION

10.

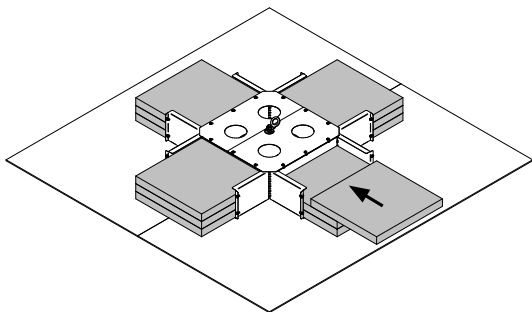


11.

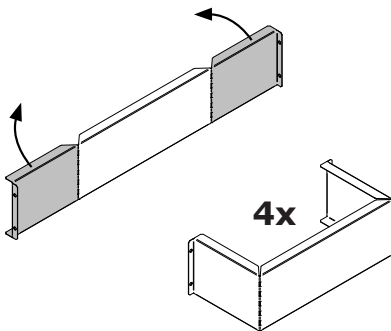


# 13 INSTALLATION

12.

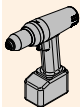


13.



# 13 INSTALLATION

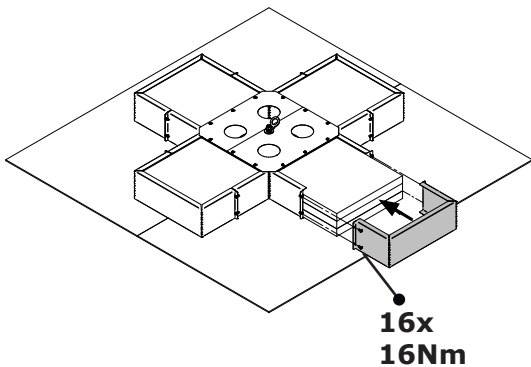
14.



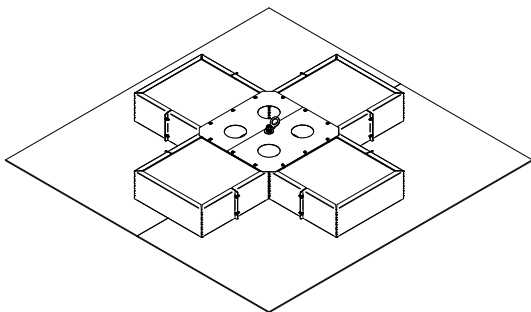
SW = 5



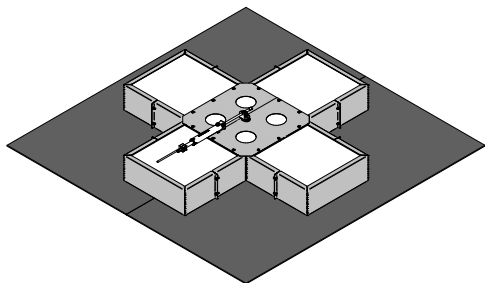
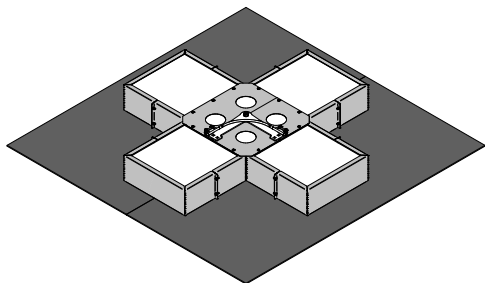
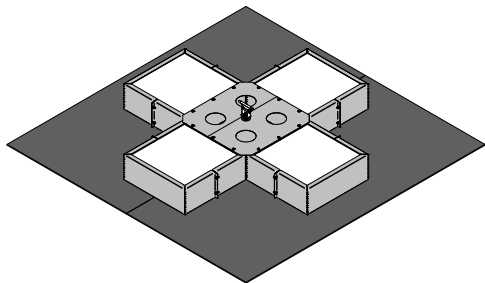
SW = 5

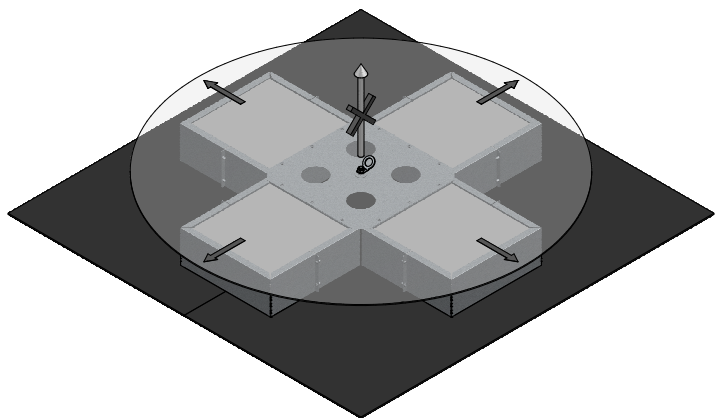


15.



## FINISHED





**DANGER OF DEATH if stressed in directions which are NOT approved.**

- Only use INNOTECH-VARIO in the approved stress directions.

Do NOT dispose of the safety system with household waste.  
Collect the used components according to national regulations and recycle them appropriately.

## ACCEPTANCE REPORT NR. \_\_\_\_\_ (PART 1/2)

V A R I O

CONTRACT NUMBER: \_\_\_\_\_

PROJECT: \_\_\_\_\_

CUSTOMER: \_\_\_\_\_ Employee: \_\_\_\_\_ 

Company address: \_\_\_\_\_

SUPPLIER: \_\_\_\_\_ Employee: \_\_\_\_\_ 

Company address: \_\_\_\_\_

**INSTALLATION:** ( check applicable box!) **EAP** (single anchor point) **ANCHORAGE POINTS** for a horizontal lifeline system as per  
EN 795:2012 TYP CEmployee: \_\_\_\_\_ 

Company address: \_\_\_\_\_

OPTIONAL: when constructing a horizontal lifeline system in accordance with  
EN 795:2012 TYP C

Anchorage points installed by: \_\_\_\_\_

Lifeline system installed by: \_\_\_\_\_

## ACCEPTANCE REPORT NR. \_\_\_\_\_ (PART 2/2)

V A R I O

## DOCUMENTATION OF ANCHORAGE/PHOTO-DOCUMENTATION

**PRODUCT:**  Pcs. \_\_\_\_\_ Year of manufacture/Serial nr.: \_\_\_\_\_  
(Type designation EAP/anchorage point)

**Installation substructure:** \_\_\_\_\_  
(e.g. solid concrete, grade: C20/25, wood: beam dimensions, tin roofs: roof manufacturer, profile, material, sheet thickness, etc.)

Date:	Location:	Anchor type: BEF/adhesive?/ designation	Seating depth: [mm]	Drill Ø: [mm]	Tightening torque:	Photos: (save directory)
			mm	mm	Nm	
			mm	mm	Nm	

The signing installation company guarantees the proper completion of the installation (edge spacing, substructure testing, proper cleaning of drill holes, observation of hardening times, working temperature and anchor manufacturer guidelines, etc.). The customer accepts the services of the service provider. The user manuals, documentation of connections, photodocumentations and examination sheets have been submitted to the customer (building owner) and are to be made available to the user. At the access point to the safety system, the positions of the anchor points are to be posted in the form of a plan (e.g. bird's eye view sketch of the roof).

**The installer, a qualified professional familiar with the safety system, guarantees that the installation has been completed properly, according to the latest technical developments and in accordance with the manufacturer's user manual. The installer therefore confirms the reliability of the safety function.**

**Delivery of:** (e.g. Personal Protective Equipment PPE, Fall arresters, storage cabinet, etc.)

Pcs. \_\_\_\_\_  Pcs. \_\_\_\_\_  Pcs. \_\_\_\_\_  Pcs. \_\_\_\_\_

Integrated into the existing lightning protection system?  YES  NO

**Comments:** \_\_\_\_\_

**Name:** \_\_\_\_\_

Customer

Inspection: Supplier (qualified professional familiar with the safety system)

Date, company seal, signature

Date, company seal, signature

## INFORMATION ON THE EXISTING SAFETY SYSTEM

The building owner is to post this information visibly at the system access point!

The system must be used in accordance with the latest technical developments and the user manual.

The user manuals, examination reports, etc. can be found at this location:

- Layout plan with anchor points marked:

**Indicate areas where falling through is possible (e.g. dome lights, light strips)!**

The maximum load values for the anchor points are given in the respective user manuals or the serial plate of the safety system.

In case of stress on the system from a fall or if any doubts arise, the safety system is to be removed from use immediately and sent to the manufacturer or a qualified professional workshop for examination and repair. This also applies if anchor components are damaged.



## INSPECTION REPORT NR. \_\_\_\_\_ (PART 1/2)

V A R I O

CONTRACT NUMBER: \_\_\_\_\_


PROJECT: \_\_\_\_\_

PRODUCT:  Pcs. \_\_\_\_\_ Year of manufacture/serial nr.: \_\_\_\_\_

(Type designation EAP/anchorage point)

ANNUAL SYSTEM INSPECTION CONDUCTED ON: \_\_\_\_\_

ANNUAL SYSTEM INSPECTION TO BE CONDUCTED BY: \_\_\_\_\_

CUSTOMER: \_\_\_\_\_ Employee: \_\_\_\_\_ 

Company address: \_\_\_\_\_

SUPPLIER: \_\_\_\_\_ Employee: \_\_\_\_\_ 

Company address: \_\_\_\_\_

INSPECTION POINTS:	FLAWS OBSERVED: (Flaw description/solutions)
<input checked="" type="checkbox"/> checked and in order!	
<b>DOCUMENTATION:</b>	
<input type="checkbox"/> Instruction manuals	
<input type="checkbox"/> Acceptance reports/documentation of anchorage /photodocumentation	
<b>PPE (Personal Protective Equipment against falls): Inspection according to manufacturer's indications</b>	
<input type="checkbox"/> Date of expiry	
<input type="checkbox"/> periodic annual examinations conducted	
<input type="checkbox"/> not examined (no authorisation)	
<b>ROOF SEALING:</b>	
<input type="checkbox"/> no damage	
<input type="checkbox"/> no corrosion	
<input type="checkbox"/> .....	

## INSPECTION REPORT NR. \_\_\_\_\_ (PART 2/2)

V A R I O

CONTRACT NUMBER: \_\_\_\_\_

PROJECT: \_\_\_\_\_

INSPECTION POINTS:  checked and in orderFLAWS OBSERVED:  
(Flaw description/solutions)

## VISIBLE PARTS OF THE ANCHORING DEVICE:

 no deformation no corrosion firmly affixed screw connections secured tightening torque of fixing screws mobility of additional parts (EAP, SZH, EDLE,...) minimum 5 cm. gravel depth fulfilled

## HORIZONTAL LIFELINE SYSTEM:

**Attention:** For horizontal lifeline systems, the inspection report of the ALLinONE-TYP instruction manual (see the copy template in the instruction manual) must be completed!**Result of acceptance:** The safety equipment corresponds to the manufacturer's user manual and the latest technical developments. Its safety and reliability are hereby confirmed. YES  NO 

Comments: \_\_\_\_\_

Name: \_\_\_\_\_  
Customer

Inspection: Supplier (qualified professional familiar with the safety system)

\_\_\_\_\_  
Date, company seal, signature\_\_\_\_\_  
Date, company seal, signature

INNOTECH® Arbeitsschutz GmbH, Laizing 10, 4656 Kirchham/Austria  
[www.innotech.at](http://www.innotech.at)

