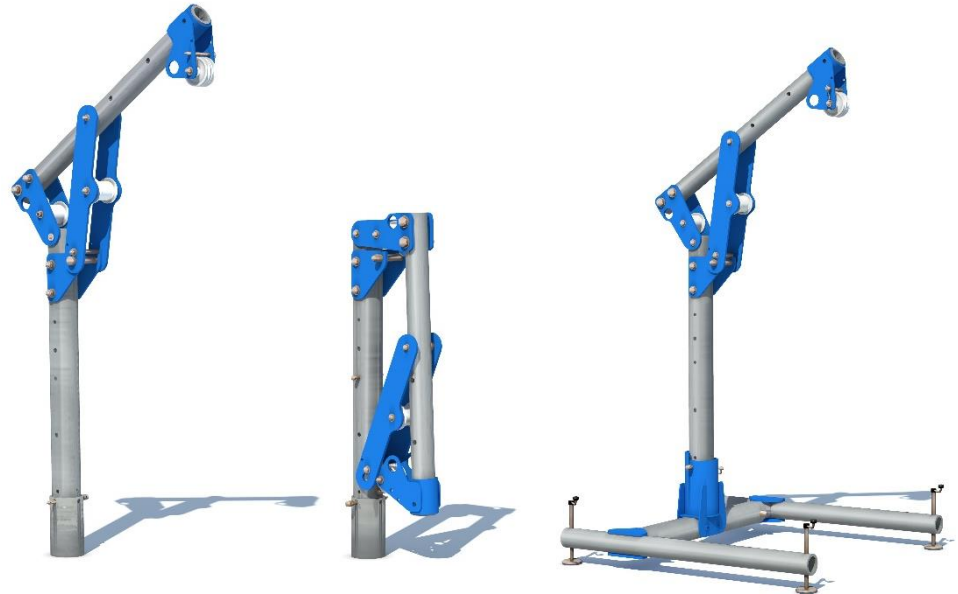


## APPLICATIONS

Tractel®'s new davitrac, an anchor point that can secure two 150kg operators. It can also be used as a lifting anchor point to lift a maximum load of 500kg. It is foldable, its size makes it easy to transport in small construction vehicles, and it is easy to handle.

The davitrac is designed for people who have access to confined spaces such as silos, sewers etc. ....

The head of the davitrac is equipped with 2 anchor points and 2 pulleys designed to guide the cables (lifting, PPE or emergency cables) of the equipment attached to the mast.



## TECHNICAL CHARACTERISTICS

The main characteristics of the davitrac are:

- The davitrac is made in aluminium and weighs 29 kg.
- The anchor head is adjustable from 1.68m to 1.92m (max height above the head) with a offset on the arm from 400mm to 700mm adjustable every 15cm.
- It can be fixed to the structure by 4 types of bases (wall or floor)



The davitrac can be attached to the structure by 4 types of bases (permanent bases/adapters) or combined with a self-stabilising base:

- The wall mounted base (1) allows the davitrac base to be installed on the upper access points of a wall.
- The wall clearance base (2) has an offset of 291 mm and allows the davitrac to rotate freely when installed on a wall.
- The flush floor base (3) is fixed in a concrete slab by drilling a 145 mm hole.
- The mounted floor base (4) is installed directly on any flat surface.
- The self-stabilising base (5) provides increased mobility for the davitrac and can be installed on any flat surface.

The 4 permanent bases must be installed with 4 M16 chemical anchors.

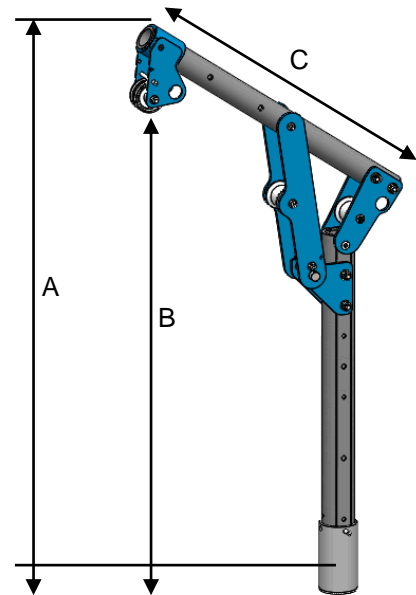
- The mast can be equipped with 2 Tractel® anchor brackets to which can be attached; a fall arrest system blocfor™ 20R / 30R, a rescue or lifting winch caRol™ R or a scafor™ R
- When the davitrac is fitted with a fall arrest or lifting system fixed to the mast, it is necessary to position the cable correctly on the pulleys dedicated either to PPE or to material lifting on the head of davitrac.

**Note: In any case, the davitrac can only support a lifting load of up to 500 kg.**

**Note: only brackets and equipment approved by Tractel® SAS can be installed on the davitrac.**

- Material: Aluminium and steel with epoxy paint
- Weight: 29kg
- Height: 1921mm
- Width: 105mm
- Thickness: 700mm

Position (values in mm)	Total height (A)	Useful height (B)	Position of the head on the arm (C)
Closed	1216		
Opening 1	1921	1400	400
Opening 2	1921	1520	550
Opening 3	1921	1640	700



## DESCRIPTION

The davitrac is made in aluminium and is therefore very light. It can be fitted with equipment that enables it to meet various standards. It can be configured according to the work to be carried out.

To assist in the selection of the davitrac with its compatible equipment, a configurator has been developed and put into operation on the [www.tractel.com](http://www.tractel.com) website.



**Note: in any case the davitrac arm cannot be used as a lifting means when used as a fall arrest anchor.**

### The different anchor points

#### The anchor points on the head of the davitrac are designed to:

- Install all PPE fall arrest systems or EN341 evacuation systems.
  - A fall arrester stopfor™ from 5m to 70m of 150kg.
  - A fall arrester blocfor™ R from 5m to 30m of 150kg.
  - A derope™ 5m to 70m of 150kg
- Install hoists with a maximum capacity of 500 kg.
  - minifor™ TR30 of 300kg.
  - minifor™ TR50 of 500kg.
  - tralift™ manual 250kg from 5m to 30m.
  - tralift™ manual 500kg from 5m to 30m.

**Note: due European standard reasons one anchor point is identified specifically for PPE and the other anchor point for material lifting.**

#### The anchor points that can be adapted to the davitrac mast (the Tractel® brackets) are designed to:

- Install PPE with a maximum capacity of 150kg.
  - Fall arrester blocfor™ 20 / 20R / 30 / 30R EN360-EN1496 of 150kg.
  - Rescue winches EN 1496 20m or 30m of 150kg.
- Install lifting winches with a maximum capacity of 500kg.
  - caRoI™ MO motorised 500kg of 13m
  - caRoI™ Manual TS of 250kg of 20m or 30m.
  - caRoI™ Manual TS of 500kg of 18m
  - scafor™ R manual 500kg from 30 to 70m.

#### The 2 PPE anchor points on the pivot of the mast joint of the davitrac are designed to:

- Install a fall arrester of 150kg each

## The different operation with davitrac

### Use in confined access operation:

2 operators must always participate in a confined access operation.

- The operator remaining on top will be secured with the anchor point on the pivot of the mast with a lanyard (a)
- The operator going down will be secured through one of the multiple possibilities the davitrac offers:  
(The rescue operation must always be taken into consideration using a blocfor™ R, caRol™ R or scafor™ R that can be installed on this davitrac)
  - Using a blocfor™ R combined with its bracket and installed on the mast
  - This configuration ensures fall protection and rescue only. This is not a rope access configuration.
  - Using a stopfor™ connected to the anchor point on the head of the arm (b) AND a caRol™ R and its bracket installed on the mast
  - Using a stopfor™ connected to the anchor point on the head of the arm (b) AND a scafor™ R and its bracket installed on the mast

### Use of the davitrac in a rescue operation:

- When the davitrac is used for a rescue operation, the injured person can be rescued using the winch from blocfor™ R or caRol™ R. For this operation the rescuer does not need to secure the injured person with an additional fall arrest system.
- The rescuer needs to secure themselves to one of the anchor points on the pivot of the mast to operator the winch.

### Use of the davitrac in a rope-suspended operation:

- To move underneath the davitrac crane arm, the user must comply with the legislation on rope access and positioning techniques. (DIRECTIVE 2001/45/EC of the European Parliament of 27 June 2001).  
The system must comprise at least one work rope, constituting a means of access, ascent or descent and support, and a safety rope equipped with a fall arrest system (fall arrest device on flexible belaying support type stopfor™ or automatic fall arrest device type blocfor™). These two devices must be anchored separately on two EN795 anchorage points or on an anchorage point that has been the subject of a calculation note drawn up by the employer or a competent person.  
Workers must be equipped with an appropriate fall arrest harness (EN 361 and EN 813). They must use it and connect it to both the safety rope and the work rope. The ropes must each be connected to an individual anchor point on the davitrac boom at the end of the boom or on the mast using a Tractel® console.

## APPLICABLE STANDARDS

The davitrac stem complies with the requirements of the following standards:

### 2016/425 - European Regulation for PPE

EN795:2012 - Fall arrest anchor point, suitable for:

- Fall arrest systems blocfor™ in accordance with the requirements of EN 360
- Rescue devices by elevation EN 1496 class A or B
- Rope suspended work devices

### 2006/42/CE - Lifting anchorage point in compliance with the Machinery Directive, suitable for:

- Manual winches limited to 500kg (WLL) to be fixed on the mast.
- Manual or electric hoists limited to 500 kg (WLL) to be fixed on the head of the davitrac.

## MAIN COMPONENTS

Code	Description	EAN code	Weight (with packaging)	Dimension L x W x D [mm]
286819	davitrac	3600232868194	29.5 kg	1200x400x300
210108	Mounted floor adapter	3600232101086	12.7 kg	230x230x230
210118	Wall mounted adapter	3600232101185	13.7 kg	230x230x171
210128	Clearance mural adapter	3600232101284	18.7 kg	230x230x291
210138	Flush floor adapter	3600232101383	10.7 kg	230x230x232
210098	Self-stabilising adapter	3600232100980	58kg	1800x600x400
<b>Options</b>				
84122	blocofor™ 20R ESD 150 galva with davitrac bracket	3600230841229	15.6 kg	600x400x200
84132	blocofor™ 20R ESD 100 stainless steel with davitrac bracket	3600230841328	15.6 kg	600x400x200
84142	blocofor™ 30R ESD 150 galva with davitrac bracket	3600230841427	24.0 kg	600x400x200
84152	blocofor™ 30R ESD 100 stainless steel with davitrac bracket	3600230383026	24.0 kg	600x400x200
286949	caRoI™ R TS 250 with davitrac bracket and 20m cable	3600232869498	28.9 kg	400x300x270
286959	caRoI™ R TS 250 with davitrac bracket and 30m cable	3600232869597	36.1 kg	400x300x270
286979	caRoI™ TS 500 with davitrac bracket and 10m galvanised cable	3600232869795	24.6 kg	400x300x270
286989	caRoI™ TS 500 with davitrac bracket and 18m galvanised cable	3600232869894	23.1 kg	400x300x270
293009	caRoI™ MO 500 with davitrac bracket and 13m galvanised cable	3600232930099	34.1 kg	500x350x240
293019	scafor™ R 500kg with davitrac bracket without galva cable	3600232930198	13.6kg	400x300x270
245899	Galvanised cable Ø 6, 5 / 20m with M47 for scafor™	3600232930198	5.0 kg	Ø34ØX75
245909	Galvanised cable Ø 6, 5 / 30m with M47 for scafor™	3600232458999	6.8 kg	Ø34ØX75
245919	Galvanised cable Ø 6, 5 / 40m with M47 for scafor™	3600232459095	8.6 kg	Ø34ØX75
245929	Galvanised cable Ø 6, 5 / 50m with M47 for scafor™	3600232459194	10.5 kg	Ø44ØX95
286929	Galvanised cable Ø 6, 5 / 60m with M47 for scafor™	3600232459293	12.3 kg	Ø44ØX95
286939	Galvanised cable Ø 6, 5 / 70m with M47 for scafor™	3600232869290	14.1 kg	Ø44ØX95
279729	minifor™ TR30	3600232797296	33.0 kg	53x25x40
279769	minifor™ TR50	3600232797692	35.0 kg	53x25x40
193999	Galvanised cable 6.5mm for minifor™ TR30 /TR50 20m with rotating hook	3600231939994	5.0 kg	Ø34ØX75
194009	Galvanised cable 6.5mm for minifor™ TR30 /TR50 30m with rotating hook	3600231940099	6.8 kg	Ø34ØX75
194019	Galvanised cable 6.5mm for minifor™ TR30 /TR50 40m with rotating hook	3600231940198	8.6 kg	Ø34ØX75
194029	Galvanised cable 6.5mm for minifor™ TR30 /TR50 50m with rotating hook	3600231940297	10.5 kg	Ø44ØX95
194039	Galvanised cable 6.5mm for minifor™ TR30 /TR60 60m with rotating hook	3600231940396	12.3 kg	Ø44ØX95
199609	Galvanised cable 6.5mm for minifor™ TR30 /TR50 70m with rotating hook	3600231996096	14.1 kg	Ø44ØX95
286849 61	Tralift manual hoist 500KG L:10M MAN:2M NJD	3600232868491	12.1 kg	375x170x230
293559 61	Tralift manual hoist 500KG L:10M MAN:2M NVT	3600232935599		
293569 61	Tralift manual hoist 250KG L:10M MAN:2M GR1	3600232935698	6.2 kg	190x190x160
79062	Stopfor™ KS - M10	3600230790626	0.5 kg	140x100x150
37542	10 - M10/A rope for stopfor KS	3600230375427	1.1 kg	350x200x150
35562	20 - M10/A rope for stopfor KS	3600230355627	1.8 kg	350x200x150
37572	30 - M10/A rope for stopfor KS	3600230375724	2.5 kg	450x200x150
37582	40 - M10/A rope for stopfor KS	3600230375823	3.2 kg	450x200x150
37592	50 - M10/A rope for stopfor KS	3600230375922	3.9 kg	450x200x150
44722	60 - M10/A rope for stopfor KS	3600230447223	4.6 kg	550x100x380
51952	70 - M10/A rope for stopfor KS	3600230519524	5.3 kg	550x100x380