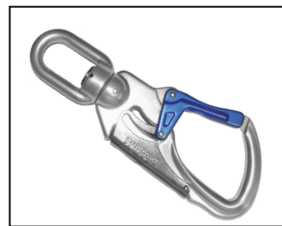
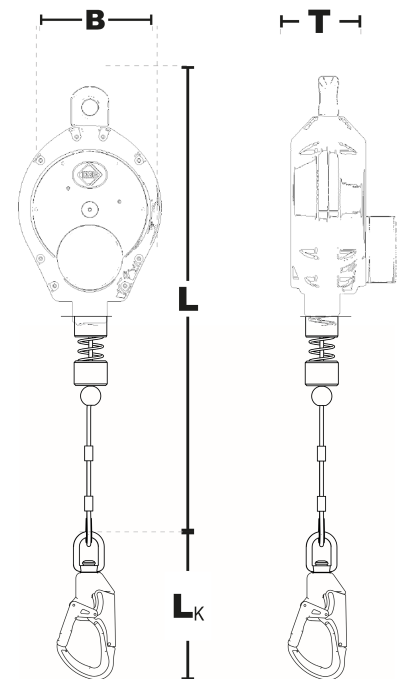


## HAS 9

according to EN 341:2011/1C, EN 360:2002



IKV 21 (EN 362:2004)  
with fall indicator



### Product information:

Order No.:	Application length	Housing	Weight	Dimensions (LxBxT)	Connector (L <sub>K</sub> )
42-HAS 9	9 m	Aluminium	5,0 kg	455 x 160 x 120 mm	186 mm

### Features:

#### Descender with Freewheel on the Rope Draw-in

- Resistant and low-maintenance descent rescue device
- Robust, seawater-resistant aluminium housing with retractable connector galvanized steel cable Ø 4.8 mm
- Standard connector IKV 21
- During normal use, the user can move freely within the working area without having to work against a brake resistance. In case of a fall, the user is safely descended at a controlled speed.
- Tested for 1 Person
- Nominal load: 50 - 136 kg
- Proof load: EN 341: 170 kg
- max. descent speed: 0,5 m/s
- Temperature range of application: -40°C bis +50°C
- Life service: approx 10 years

#### Application:

Rescue, descent

#### Areas of use:

Fall arrest, escape rescue