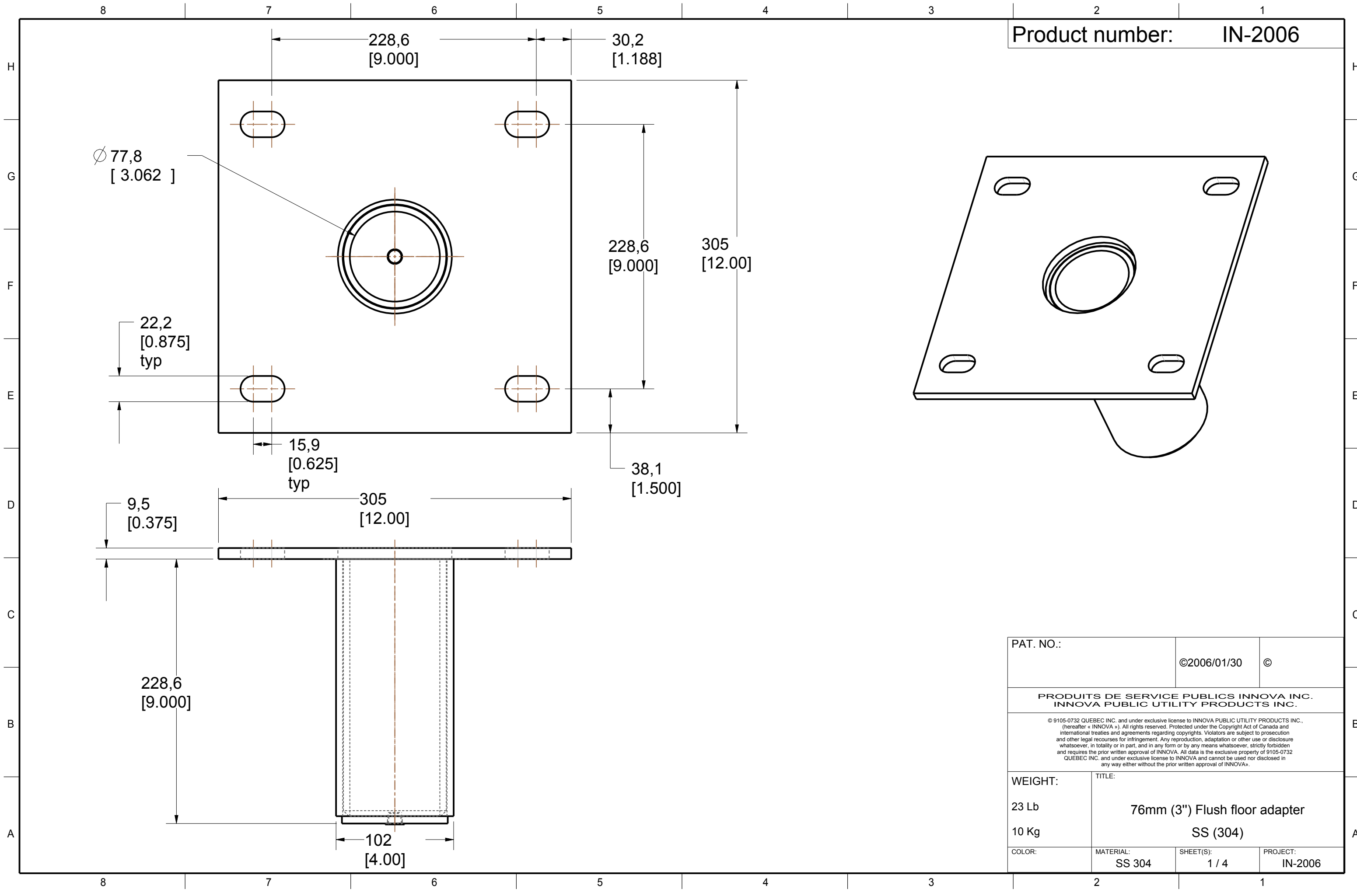


Product number: IN-2006



PAT. NO.:		©2006/01/30	©
PRODUITS DE SERVICE PUBLICS INNOVA INC. INNOVA PUBLIC UTILITY PRODUCTS INC.			
© 9105-0732 QUEBEC INC. and under exclusive license to INNOVA PUBLIC UTILITY PRODUCTS INC., (hereafter « INNOVA »). All rights reserved. Protected under the Copyright Act of Canada and international treaties and agreements regarding copyrights. Violators are subject to prosecution and other legal recourses for infringement. Any reproduction, adaptation or other use or disclosure whatsoever, in totality or in part, and in any form or by any means whatsoever, strictly forbidden and requires the prior written approval of INNOVA. All data is the exclusive property of 9105-0732 QUEBEC INC. and under exclusive license to INNOVA and cannot be used nor disclosed in any way either without the prior written approval of INNOVA.			
WEIGHT:	TITLE:		
23 Lb	76mm (3") Flush floor adapter		
10 Kg	SS (304)		
COLOR:	MATERIAL:	SHEET(S):	PROJECT:
	SS 304	1 / 4	IN-2006

IN-2006 Base Installation Requirements

Product number: **IN-2006**

Recommendations:

Concrete must be made of 0,2% gross area rebar reinforced 13.8 MPa (2000psi) or better. Minimum thickness of 203mm (8").

Moment capacity: 13,558 N-m (120,000 lbf-in)
Vertical load: 22,241 N (5,000 lbf).
Note: It is the responsibility of the field engineer to assure installation compliance.

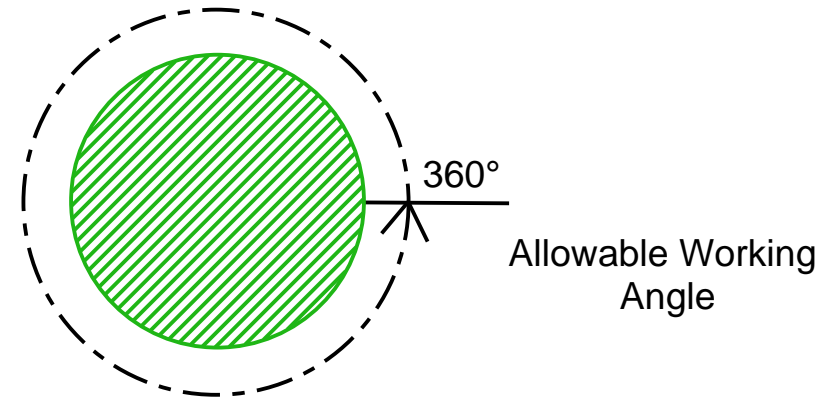
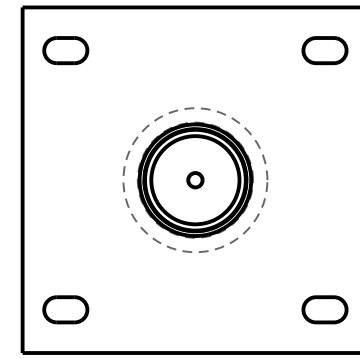
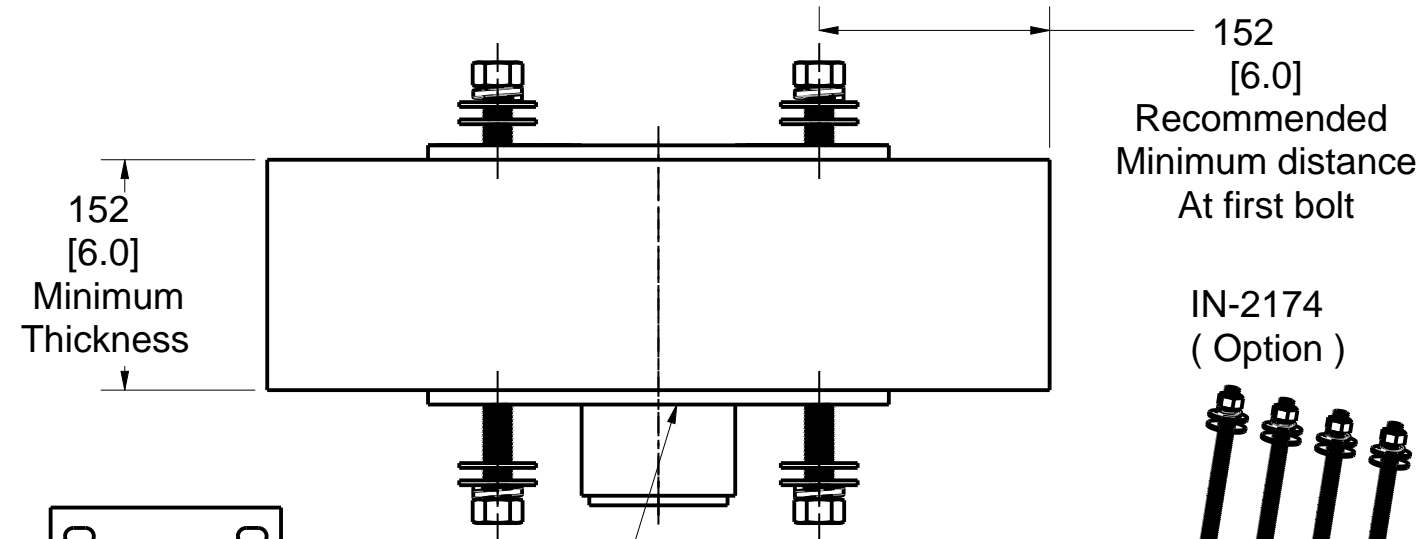
Hardware:

Anchor bolts: Chemical setting 3/4" x 6-5/8" effective holding length and made of 304/316 stainless steel
Max pulling strength: 75,620 N (17,000 lbf).
To be installed with 3/4" stainless steel nuts and washers.

Full Thickness Installation



Sandwich Installation Type



Recommendations:

Concrete must be made of 0,2% gross area rebar reinforced 13.8 MPa (2000psi) or better. Minimum thickness of 152mm (6").

Moment capacity: 13,558 N-m (120,000 lbf-in).
Vertical load: 22,241 N (5,000 lbf).
Note: It is the responsibility of the field engineer to assure installation compliance.

Hardware:

Anchor rods: 3/4" x 12" or 16" and made of 304/316 stainless steel. To be installed with 3/4" Stainless steel nuts and washers.

P2006-006 Sandwich plate (Option)

PAT. NO.:		©2006/01/30	©
PRODUITS DE SERVICE PUBLICS INNOVA INC. INNOVA PUBLIC UTILITY PRODUCTS INC.			
© 9105-0732 QUEBEC INC. and under exclusive license to INNOVA PUBLIC UTILITY PRODUCTS INC., (hereafter « INNOVA »). All rights reserved. Protected under the Copyright Act of Canada and international treaties and agreements regarding copyrights. Violators are subject to prosecution and other legal recourses for infringement. Any reproduction, adaptation or other use or disclosure whatsoever, in totality or in part, and in any form or by any means whatsoever, strictly forbidden and requires the prior written approval of INNOVA. All data is the exclusive property of 9105-0732 QUEBEC INC. and under exclusive license to INNOVA and cannot be used nor disclosed in any way either without the prior written approval of INNOVA.			
WEIGHT:	TITLE:		
23 Lb	76mm (3") Flush floor adapter		
10 Kg	(SS 304)		
COLOR:	MATERIAL:	SHEET(S):	PROJECT:
	SS 304	2 / 4	IN-2006

Product number: IN-2006

SPECIFICATIONS

H This equipment is considered as part of a personal fall arrest system (PFAS) with a maximum working capacity of 164 Kg (360 lb).

G It is only to be used in conjunction with a personal fall arrest system that limits the maximum arrest force (MAF).

G Maximum Working Moment: 976 N-m (8,640 lbf-in)
Maximum Moment: 13,558 N-m (120,000 lbf-in)

STANDARDS

F Meets the following standards:
OSHA Personal fall arrest system - 1910.66 App C
ANSI Safety requirements for personal fall arrest system, subsystems and components Z359.1 (R1999) / 2007
CAN/CSA Fall arresters, vertical lifelines, and rails Z259.2.1-98
CE EN 795:2012 Type A

MATERIAL AND CONSTRUCTION

E Plate, gussets and sleeve : 304 Stainless Steel
Sleeve bearing : PVC Pipe.
Welding Certification : CSA W59 & W47.1, AWS D1.6

RESTRICTIONS

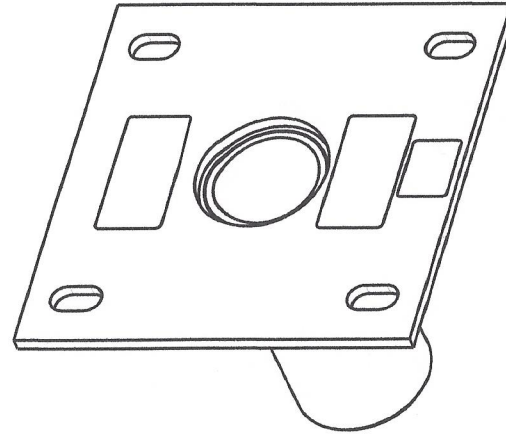
D IMPORTANT :

C Adaptors are designed to function only with Innova Public Utility Products inc equipment. Anchorage hardware must be installed by qualified and experienced personnel. The installer must follow the anchorage hardware manufacturers recommendations at all times.

B **The positioning pins must always be in place when manoeuvring personnel. Otherwise, serious injuries may occur.

A Periodic inspections of hardware must be done. In the occurrence of a fall or the safety of the equipment is in doubt, equipment must be immediately removed from service and inspected by qualified personnel before reuse.

** This equipment must always be operated in a level position.



PAT. NO. :	©2006/01/30	©
------------	-------------	---

PRODUITS DE SERVICE PUBLICS INNOVA INC.
INNOVA PUBLIC UTILITY PRODUCTS INC.

© 9165-0132 QUEBEC INC. and under exclusive license to INNOVA PUBLIC UTILITY PRODUCTS INC. (hereafter « INNOVA »). All rights reserved. Protected under the Copyright Act of Canada and international treaties and agreements regarding copyrights. Violators are subject to prosecution and other legal recourse for infringement. Any reproduction, adaptation or other use or disclosure whatsoever, in totality or in part, and in any form or by any means whatsoever, strictly forbidden and requires the prior written approval of INNOVA. All data is the exclusive property of 9165-0132 QUEBEC INC. and under exclusive license to INNOVA and cannot be used nor disclosed in any way either without the prior written approval of INNOVA.

WEIGHT:	TITLE:		
23 Lb	76mm (3") Flush floor adapter		
10 Kg	(SS 304)		

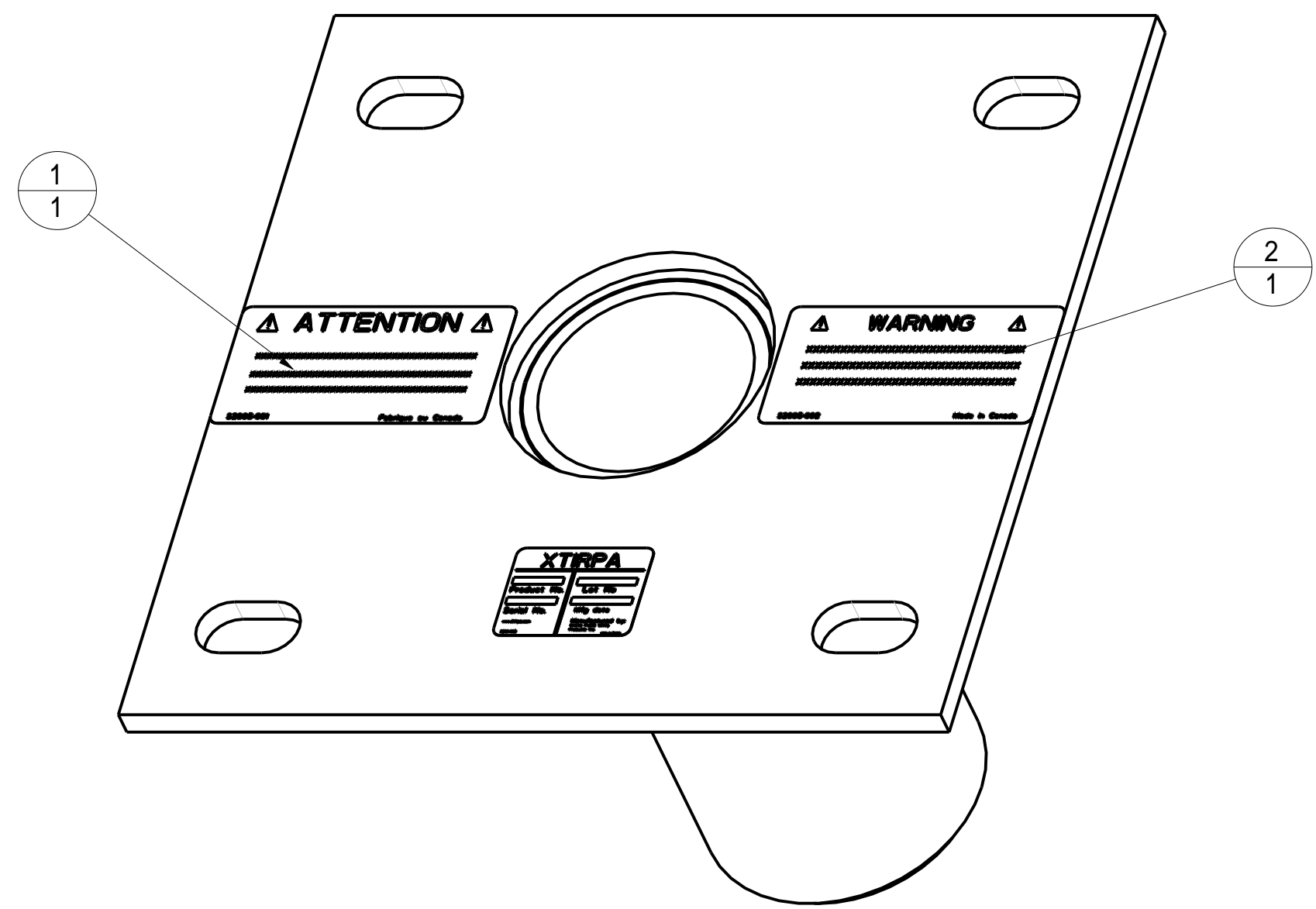
COLOR:	MATERIAL:	SHEET(S):	PROJECT:
	SS 304	3 / 4	IN-2006

8 7 6 5 4 3 2 1

H
G
F
E
D
C
B
A

Product number: **IN-2006**

2	1	S2005-002_FLAT	RevA	Label "WARNIG" English
1	1	S2005-001_FLAT	RevA	Label "ATTENTION " French
IDX	QTE	COMPONENT	REV	DESCRIPTION



PAT. NO.:		©2006/01/30	©
PRODUITS DE SERVICE PUBLICS INNOVA INC. INNOVA PUBLIC UTILITY PRODUCTS INC.			
<small>© 9105-0732 QUEBEC INC. and under exclusive license to INNOVA PUBLIC UTILITY PRODUCTS INC., (hereafter « INNOVA »). All rights reserved. Protected under the Copyright Act of Canada and international treaties and agreements regarding copyrights. Violators are subject to prosecution and other legal recourses for infringement. Any reproduction, adaptation or other use or disclosure whatsoever, in totality or in part, and in any form or by any means whatsoever, strictly forbidden and requires the prior written approval of INNOVA. All data is the exclusive property of 9105-0732 QUEBEC INC. and under exclusive license to INNOVA and cannot be used nor disclosed in any way either without the prior written approval of INNOVA».</small>			
WEIGHT:	TITLE:		
23 Lb	76mm (3") Flush floor adapter		
10 Kg	(SS 304)		
COLOR:	MATERIAL:	SHEET(S):	PROJECT:
	SS 304	4 / 4	IN-2006

8 7 6 5 4 3 2 1